

Parts Catalogue

Model : T543/T603



제 작 일	2007.07
작 성	김 순 이 (인)
검 토	(인)
승 인	(인)

TMM 백산그룹 **동양물산기계사업부**

Printed : 2007/07 Version : B
Part number of this book: 1995 950 001 0

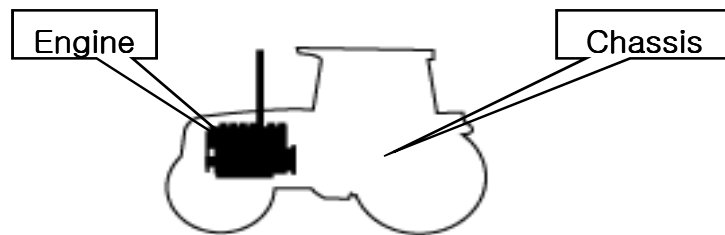
Important tips of Parts Catalogue

We thank you for your purchasing our product, manufactured under strict quality control, by gathering plenty of experiences and new technology, designed for a comfort and pleasant work.

1. Part Composition

This catalogue deals with engine and chassis.

Detailed classifications are listed in the following page.



2. For locating parts easily, Please Note:

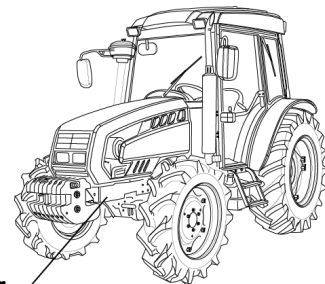
If you know the assembly where the part is used.

- Refer to the relevant figure from the identifying group symbol illustration,
- Locate the relevant chapter
- Refer to the particular chapter desired.

3. For ordering parts

To obtain spare parts please contact your nearest dealer and give him the details listed below.

- ①Tractor Model : Tractor T543/T603
- ②Tractor Serial Number : W050000
- ③Part Number : 16001032000
- ④Description : Air cleaner assembly
- ⑤Quantity required: 1



4. For ordering PARTS CATALOGUE

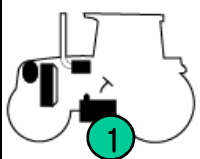
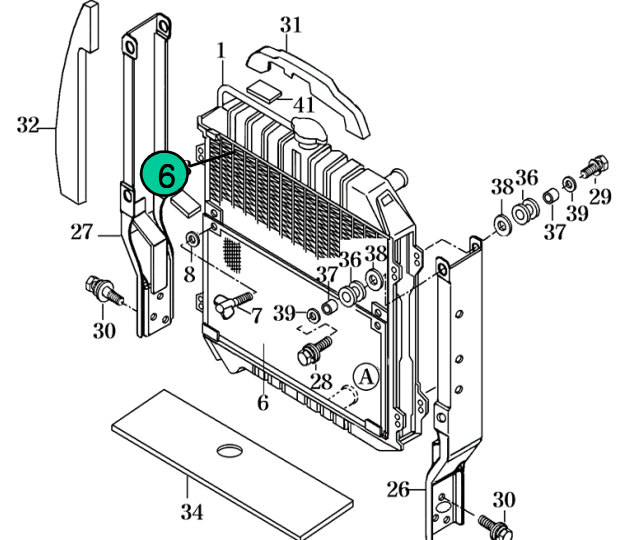
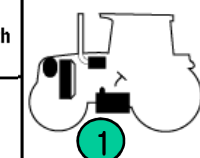
This is Priced item and one is to order the same on part No. 1995 950 001 0

This supersedes all our editions.

Note)When replacing parts, please use original spare parts to be sure of the performance and the longer life of the product

※The information in this catalogue may at any time be modified without a prior notice for the improvement of performance, please consult our spare parts dept. for the detailed inquiry.

5. How to use parts catalogue

FIG 201 2		RADIATOR 3			P1 4	Year / Month 5 2006 / 06	 1
							
NOTE		13					
FIG 201 2		RADIATOR 3			P1 4	Year / Month 5 2006 / 06	 1
KEY NO	PART NO	DESCRIPTION	SPEC	QTY	REPAIR	FIG SERIAL NO	REMARKS
023 001	14571042001	RADIATOR SET		1			
023 002	14571042101	RADIATOR SET		1			
023 003	14571042171	SHROUD		1			
023 006	14571042301HB	NET COMP		1			
023 007	V27112	BOLT, WING	M6X12	1			
NOTE		13					

- ① Group Indication : Indicate the relevant location of the part with a symbol illustration.
- ② Figure Number: Indicate the relevant section of the machine with a figure number.
- ③ Section Name : Indicate the section name of the machine
- ④ Section Page : Page number of the section in this catalogue.
- ⑤ Date : Show the Year/Month of the section made or updated

⑥ Key number : Indicating number of each parts in the illustration.

⑦ Part Number : Unique part number maintained in our system

The part number starting with V or M means it is TYM's standard part

The alphabet at the end of part number means the status of material or the color of paint

Legend : M:Machining, DG:Dark Gray, BR:Bright Red, SW:Summer White,
PB:Pure Black, GB:Glossy Black, SR:Super Red, MS:Metallic Silver
DD:Heat proof Black, TY: Tangerine Yellow etc.

⑧ Description : Description of a part, Abbreviation means as follows.

– Indicate the mixture condition of a part

ASSY : Assembly with a mixture of several parts, so can be broke up retaining their original form

COMP : Assembly with a mixture of several parts, but can not be broke up retaining their original form

SUB : mean the same as ASSY but used in lower level in aid.

SET : Part consist of ASSY, COMP, and part(s) as a group

– Indicate the location of a part

LH: Left, RH: Right, FR: Front, RR: Rear, UPR: Upper, LOW: Lower

⑨ Type : Type of the standard items like bolt or nut

⑩ Quantity : Total quantity of the part referred to in the page.

Symbol below indicate options. So, show the quantity of each option.

Note) AR means as requested quantity.

⑪ Repair Parts consumption frequency class: indicate the level of a part in aid of stocking spares, anticipating the service requirements.

A :Fast moving part(frequently required)

B :Medium moving part (sometimes required)

C :Slow moving part(rarely required)

⑫ Modification :

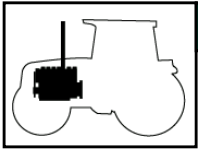
Year/Month~ : From which the change starts

~ Year/Month : To which the part installed

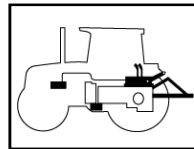
⑬ Notes : explain some reference data

⑭ Remark : indicate reference data or abbreviation in the content.

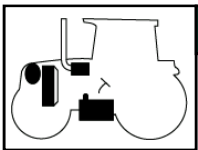
ENGINEERING GROUP INDEX



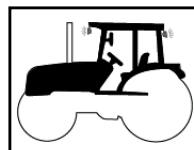
1 ENGINE



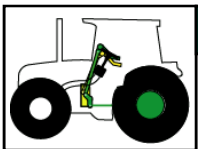
6 HYDRAULICS & 3-POINT LINK



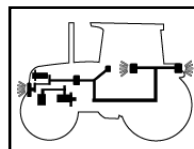
2 ENGINE ACCESSORIES & CONTROL



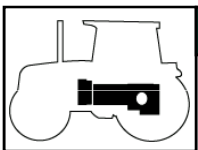
7 SHEET METAL & CABIN



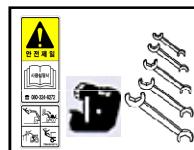
3 CLUTCH, BRAKE, STEERING



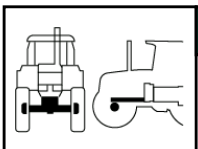
8 ELECTRICALS & HARNESS



4 TRANSMISSION & REAR AXLE



9 WEIGHT, LABEL, TOOLS



5 FRONT AXLE, SUPPORTER & DRIVE SHAFT

067 020	12305180020	10 NUMERICAL INDEX
077 036	12403160020	
036 005	13022250030	
037 010	13022250131	
041 005	13022250232	
046 002	13022250333	

CONTENTS

ENGINE

1 ENGINE (C2,2T) PART NO. 1995 101 600 0

FIG 101	CYLINDER BLOCK GROUP-----	04
FIG 102	CRANSHAFT GROUP-----	06
FIG 103	PAN GROUP-OIL-----	08
FIG 104	PISTON & ROD GROUP-----	12
FIG 105	CAMSHAFT GROUP-----	14
FIG 106	HOUSING GROUP-FRONT-----	16
FIG 107	GOVERNOR GROUP-----	18
FIG 108	BEARING & GEAR -----	22
FIG 109	PULLEY GROUP-AUXILIARY DRIVE-----	24
FIG 110	CYLINDER HEAD GROUP (1)-----	26
FIG 111	CYLINDER HEAD GROUP (2)-----	28
FIG 112	VALVE MECHANISM GROUP-----	30
FIG 113	COVER GROUP-VALVE MECHANISM-----	32
FIG 114	PUMP GROUP-FUEL INJECTION-----	34
FIG 115	FLYWHEEL GROUP-----	38
FIG 116	ADAPTER GROUP-BEARING-----	40
FIG 117	PUMP GROUP-WATER (1)-----	42
FIG 118	PUMP GROUP-WATER (2)-----	44
FIG 119	COOLER GROUP-FILTER BASE-----	46
FIG 120	ENGINE OIL FILTER-----	48
FIG 121	FAN GROUP-BLOWER-----	50
FIG 122	PULLEY GROUP-WATER PUMP-----	52
FIG 123	SENSOR GROUP-TEMP & PRESS-----	54
FIG 124	MANIFOLD GROUP-EXHAUST-----	56
FIG 125	TURBOCHARGER GROUP-----	58
FIG 126	FILLER GROUP-ENGINE OIL-----	60
FIG 127	MOUNTING GROUP-ENGINE OIL FILLER-----	62
FIG 129	ALTERNATOR GROUP-CHARGING-----	64
FIG 130	STARTING MOTOR GROUP-ELECTRIC-----	66
FIG 131	LIFTING GROUP-ENGINE-----	68
FIG 132	FILTER & LINES GROUP-FUEL-----	70
FIG 133	GLOW PLUG GROUP-----	72

CHASSIS

2 ENGINE ACCESSORIES & CONTROL

FIG 201 AIR CLEANER-----	78
FIG 202 RADIATOR-----	80
FIG 203 MUFFLER-----	82
FIG 204A FUEL HOSE & FILTER-ST Only-----	84
FIG 204B FUEL HOSE & FILTER-SP Only-----	86
FIG 205 FUEL TANK-----	88
FIG 206 ACCELERATOR-----	90
FIG 207 OIL COOLER-SP Only-----	92

3 CLUTCH,BRAKE,STEERING

FIG 301A CLUTCH-ST Only-----	98
FIG 301B CLUTCH-SP Only-----	100
FIG 302A CLUTCH PEDAL-ST Only-----	102
FIG 302B CLUTCH PEDAL-SP Only-----	104
FIG 303 BRAKE-----	106
FIG 304 BRAKE PEDAL & LINKAGE-----	108
FIG 305A FRONT WHEEL-----	110
FIG 305B FRONT WHEEL-R3(OPTION)-----	112
FIG 305C FRONT WHEEL-R4(OPTION)-----	114
FIG 306A REAR WHEEL-----	116
FIG 306B REAR WHEEL-R3(OPTION)-----	118
FIG 306C REAR WHEEL-R4(OPTION)-----	120
FIG 307 POWER STEERING WHEEL-----	122
FIG 308 POWER STEERING VALVE-----	124
FIG 309 POWER STEERING CYLINDER-----	126
FIG 310 HAND BRAKE-----	128

4 TRANSMISSION & REAR AXLE

FIG 401 TRANSMISSION FRONT CASE-----	134
--------------------------------------	-----

FIG 402A INPUT & COUNTER GEARS-ST Only-----	136
FIG 402B INPUT & COUNTER GEARS-SP Only-----	138
FIG 403 MAIN CHANGE GEARS-----	140
FIG 404A REVERSE GEARS-ST Only-----	142
FIG 404B REVERSE GEARS-SP Only-----	144
FIG 405 P.T.O DRIVE SHAFT-----	146
FIG 406 MAIN CHANGE LEVER-----	148
FIG 407A REVERSE CHANGE LEVER-ST Only-----	150
FIG 407B REVERSE CHANGE SWITCH-SP Only-----	152
FIG 408 TRANSMISSION MID CASE-----	154
FIG 409 TRANSMISSION REAR CASE-----	156
FIG 410 SUB CHANGE GEARS-----	158
FIG 411 SUB CHANGE SHIFTER-----	160
FIG 412 CREEP CHANGE-----	162
FIG 413A DRIVE GEARS-ST Only-----	164
FIG 413B DRIVE GEARS-SP Only-----	166
FIG 414A 4WD CHANGE LEVER-ST Only-----	168
FIG 414B 4WD METAL ASSY-SP Only-----	170
FIG 415 P.T.O CHANGE GEARS-----	172
FIG 416 P.T.O CHANGE SHIFTER-----	174
FIG 417 REAR DIFFERENTIAL GEARS-----	176
FIG 418 REAR AXLE HOUSING-----	180

5

FRONT AXLE,SUPPORTER & DRIVE SHAFT

FIG 501 FRONT AXLE SUPPORT-----	186
FIG 502 FRONT DRIVE SHAFT-----	188
FIG 503 FRONT AXLE HOUSING-----	190
FIG 504 FRONT DIFFERENTIAL GEARS-----	192
FIG 505 FRONT GEAR CASE (1)-----	194
FIG 506 FRONT GEAR CASE (2)-----	196
FIG 507 FRONT GEAR CASE (3)-----	198

6 HYDRAULICS & 3-POINT LINK

FIG 601 CYLINDER CASE-----	204
FIG 602 LIFT ARM-----	206
FIG 603 CYLINDER-----	208
FIG 604 POSITION LINK-----	210
FIG 605 CONTROL VALVE-----	212
FIG 606 DRAFT LINK-----	214
FIG 607 POSITION & DRAFT LEVER-----	216
FIG 608 EXTERIOR HYD. VALVE-----	218
FIG 609A HYDRAULIC PIPES-ST Only-----	220
FIG 609B HYDRAULIC PIPES-SP Only-----	222
FIG 610A JOYSTICK SET-ST Only-----	224
FIG 610B JOYSTICK SET-SP Only-----	226
FIG 611A HYDRAULIC HOSES-ST Only-----	228
FIG 611B HYDRAULIC HOSES-SP Only-----	230
FIG 612A HITCH & 3-POINT LINK-----	232
FIG 612B HITCH & 3-POINT LINK-----	236
FIG 613A LOWER LINK & LIFT ROD-----	240
FIG 613B LOWER LINK & LIFT ROD-----	242

7 SHEET METAL & CABIN

FIG 701 BONNET (1)-----	248
FIG 702 BONNET (2)-----	252
FIG 704 LEVER COVER & STEP-----	254
FIG 705 FRONT & REAR MOUNTING-----	256
FIG 706 FLOOR & SEAT -----	258
FIG 707 CAB FRAME & REAR GLASS-----	260
FIG 708 SIDE GLASS-----	262
FIG 709 DOOR-----	264
FIG 710 FRONT GLASS-----	266
FIG 711 SUB FENDER & COVER-----	268

FIG 712 CONTROL COVER-----	270
FIG 713 ROOF-----	272
FIG 714 INTERIOR PART-----	274
FIG 715 HEATER & AIR-CON-----	276

8 ELECTRICALS & HARNESS

FIG 801 BATTERY & MOUNTING-----	284
FIG 802 LIGHT & BACK LAMP-----	286
FIG 803A INSTRUMENT PANEL-ST Only-----	288
FIG 803B INSTRUMENT PANEL-SP Only-----	290
FIG 804 ELECTRIC SYSTEM (1)-----	292
FIG 805 ELECTRIC SYSTEM (2)-----	294
FIG 806A HARNESS (1)-ST Only-----	296
FIG 806B HARNESS (1)-SP Only-----	298
FIG 807 HARNESS (2)-----	300

9 WEIGHT, LABEL, TOOLS

FIG 901 TOOL & ACCESSORY-----	306
FIG 902 WEIGHT-----	308
FIG 903 LABEL-----	310

10 NUMERICAL INDEX

ENGINE-----	319
CHASSIS-----	322

ENGINE

1

ENGINE (C2,2T) PART NO. 1995 101 600 0

FIG 101	CYLINDER BLOCK GROUP-----	04
FIG 102	CRANSHAFT GROUP-----	06
FIG 103	PAN GROUP-OIL-----	08
FIG 104	PISTON & ROD GROUP-----	12
FIG 105	CAMSHAFT GROUP-----	14
FIG 106	HOUSING GROUP-FRONT-----	16
FIG 107	GOVERNOR GROUP-----	18
FIG 108	BEARING & GEAR -----	22
FIG 109	PULLEY GROUP-AUXILIARY DRIVE-----	24
FIG 110	CYLINDER HEAD GROUP (1)-----	26
FIG 111	CYLINDER HEAD GROUP (2)-----	28
FIG 112	VALVE MECHANISM GROUP-----	30
FIG 113	COVER GROUP-VALVE MECHANISM-----	32
FIG 114	PUMP GROUP-FUEL INJECTION-----	34
FIG 115	FLYWHEEL GROUP-----	38
FIG 116	ADAPTER GROUP-BEARING-----	40
FIG 117	PUMP GROUP-WATER (1)-----	42
FIG 118	PUMP GROUP-WATER (2)-----	44
FIG 119	COOLER GROUP-FILTER BASE-----	46
FIG 120	ENGINE OIL FILTER-----	48
FIG 121	FAN GROUP-BLOWER-----	50
FIG 122	PULLEY GROUP-WATER PUMP-----	52
FIG 123	SENSOR GROUP-TEMP & PRESS-----	54
FIG 124	MANIFOLD GROUP-EXHAUST-----	56
FIG 125	TURBOCHARGER GROUP-----	58
FIG 126	FILLER GROUP-ENGINE OIL-----	60
FIG 127	MOUNTING GROUP-ENGINE OIL FILLER-----	62
FIG 129	ALTERNATOR GROUP-CHARGING-----	64
FIG 130	STARTING MOTOR GROUP-ELECTRIC-----	66
FIG 131	LIFTING GROUP-ENGINE-----	68
FIG 132	FILTER & LINES GROUP-FUEL-----	70
FIG 133	GLOW PLUG GROUP-----	72

2 ENGINE ACCESSORIES & CONTROL

FIG 201 AIR CLEANER-----	78
FIG 202 RADIATOR-----	80
FIG 203 MUFFLER-----	82
FIG 204A FUEL HOSE & FILTER-ST Only-----	84
FIG 204B FUEL HOSE & FILTER-SP Only-----	86
FIG 205 FUEL TANK-----	88
FIG 206 ACCELERATOR-----	90
FIG 207 OIL COOLER-SP Only-----	92

3 CLUTCH,BRAKE,STEERING

FIG 301A CLUTCH-ST Only-----	98
FIG 301B CLUTCH-SP Only-----	100
FIG 302A CLUTCH PEDAL-ST Only-----	102
FIG 302B CLUTCH PEDAL-SP Only-----	104
FIG 303 BRAKE-----	106
FIG 304 BRAKE PEDAL & LINKAGE-----	108
FIG 305A FRONT WHEEL-----	110
FIG 305B FRONT WHEEL-R3(OPTION)-----	112
FIG 305C FRONT WHEEL-R4(OPTION)-----	114
FIG 306A REAR WHEEL-----	116
FIG 306B REAR WHEEL-R3(OPTION)-----	118
FIG 306C REAR WHEEL-R4(OPTION)-----	120
FIG 307 POWER STEERING WHEEL-----	122
FIG 308 POWER STEERING VALVE-----	124
FIG 309 POWER STEERING CYLINDER-----	126
FIG 310 HAND BRAKE-----	128

4 TRANSMISSION & REAR AXLE

FIG 401 TRANSMISSION FRONT CASE-----	134
FIG 402A INPUT & COUNTER GEARS-ST Only-----	136
FIG 402B INPUT & COUNTER GEARS-SP Only-----	138
FIG 403 MAIN CHANGE GEARS-----	140
FIG 404A REVERSE GEARS-ST Only-----	142
FIG 404B REVERSE GEARS-SP Only-----	144
FIG 405 P.T.O DRIVE SHAFT-----	146
FIG 406 MAIN CHANGE LEVER-----	148
FIG 407A REVERSE CHANGE LEVER-ST Only-----	150
FIG 407B REVERSE CHANGE SWITCH-SP Only-----	152
FIG 408 TRANSMISSION MID CASE-----	154
FIG 409 TRANSMISSION REAR CASE-----	156
FIG 410 SUB CHANGE GEARS-----	158
FIG 411 SUB CHANGE SHIFTER-----	160
FIG 412 CREEP CHANGE-----	162
FIG 413A DRIVE GEARS-ST Only-----	164
FIG 413B DRIVE GEARS-SP Only-----	166
FIG 414A 4WD CHANGE LEVER-ST Only-----	168
FIG 414B 4WD METAL ASSY-SP Only-----	170
FIG 415 P.T.O CHANGE GEARS-----	172
FIG 416 P.T.O CHANGE SHIFTER-----	174
FIG 417 REAR DIFFERENTIAL GEARS-----	176
FIG 418 REAR AXLE HOUSING-----	180

5 FRONT AXLE,SUPPORTER & DRIVE SHAFT

FIG 501 FRONT AXLE SUPPORT-----	186
FIG 502 FRONT DRIVE SHAFT-----	188
FIG 503 FRONT AXLE HOUSING-----	190
FIG 504 FRONT DIFFERENTIAL GEARS-----	192
FIG 505 FRONT GEAR CASE (1)-----	194
FIG 506 FRONT GEAR CASE (2)-----	196
FIG 507 FRONT GEAR CASE (3)-----	198

6 HYDRAULICS & 3-POINT LINK

FIG 601 CYLINDER CASE-----	204
FIG 602 LIFT ARM-----	206
FIG 603 CYLINDER-----	208
FIG 604 POSITION LINK-----	210
FIG 605 CONTROL VALVE-----	212
FIG 606 DRAFT LINK-----	214
FIG 607 POSITION & DRAFT LEVER-----	216
FIG 608 EXTERIOR HYD. VALVE-----	218
FIG 609A HYDRAULIC PIPES-ST Only-----	220
FIG 609B HYDRAULIC PIPES-SP Only-----	222
FIG 610A JOYSTICK SET-ST Only-----	224
FIG 610B JOYSTICK SET-SP Only-----	226
FIG 611A HYDRAULIC HOSES-ST Only-----	228
FIG 611B HYDRAULIC HOSES-SP Only-----	230
FIG 612A HITCH & 3-POINT LINK-----	232
FIG 612B HITCH & 3-POINT LINK-----	236
FIG 613A LOWER LINK & LIFT ROD-----	240
FIG 613B LOWER LINK & LIFT ROD-----	242

7

SHEET METAL & CABIN

FIG 701 BONNET (1)	248
FIG 702 BONNET (2)	252
FIG 704 LEVER COVER & STEP	254
FIG 705 FRONT & REAR MOUNTING	256
FIG 706 FLOOR & SEAT	258
FIG 707 CAB FRAME & REAR GLASS	260
FIG 708 SIDE GLASS	262
FIG 709 DOOR	264
FIG 710 FRONT GLASS	266
FIG 711 SUB FENDER & COVER	268
FIG 712 CONTROL COVER	270
FIG 713 ROOF	272
FIG 714 INTERIOR PART	274
FIG 715 HEATER & AIR-CON	276

8**ELECTRICALS & HARNESS**

FIG 801 BATTERY & MOUNTING-----	284
FIG 802 LIGHT & BACK LAMP-----	286
FIG 803A INSTRUMENT PANEL-ST Only-----	288
FIG 803B INSTRUMENT PANEL-SP Only-----	290
FIG 804 ELECTRIC SYSTEM (1)-----	292
FIG 805 ELECTRIC SYSTEM (2)-----	294
FIG 806A HARNESS (1)-ST Only-----	296
FIG 806B HARNESS (1)-SP Only-----	298
FIG 807 HARNESS (2)-----	300

9

WEIGHT,LABEL,TOOLS

FIG 901 TOOL & ACCESSORY-----306
FIG 902 WEIGHT-----308
FIG 903 LABEL-----310

10 NUMERICAL INDEX

ENGINE-----	319
CHASSIS-----	322

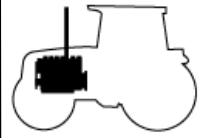
FIG 101

CYLINDER BLOCK GROUP

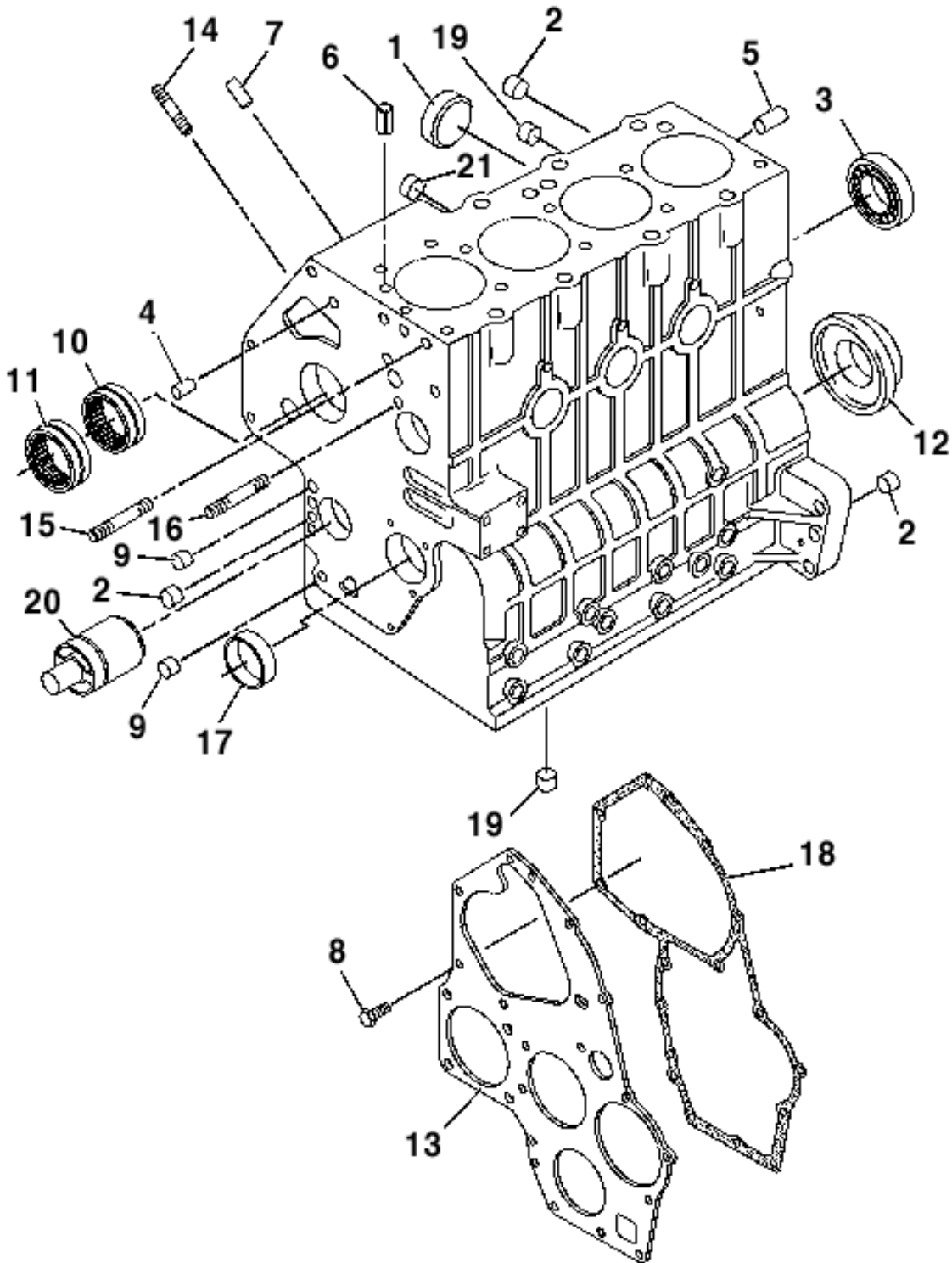
P1

Year / Month

2007 / 02



T543/T603



NOTE

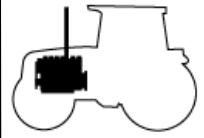
FIG 102

CRANKSHAFT GROUP

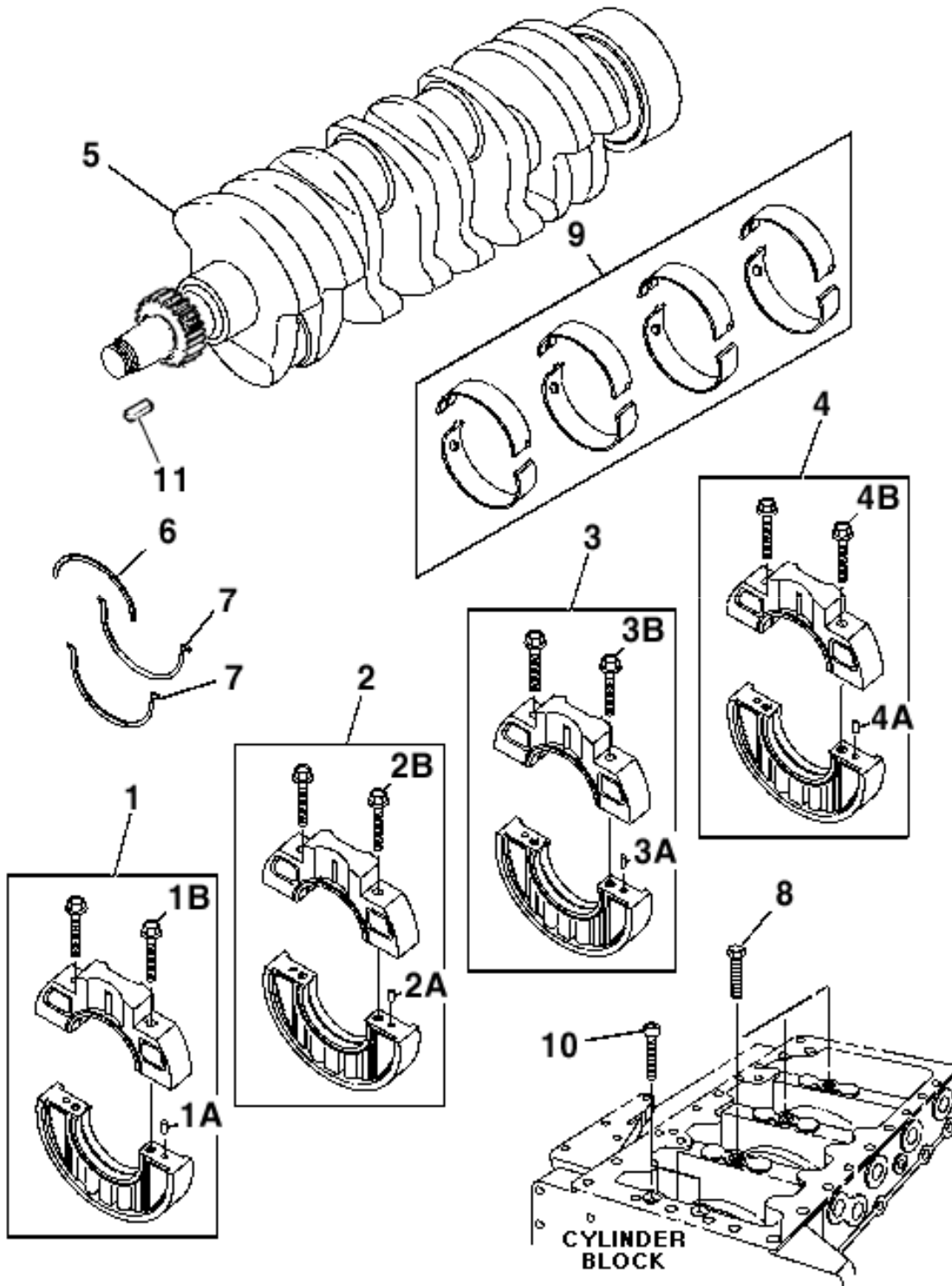
P1

Year / Month

2007 / 02



T543/T603



NOTE

FIG 103

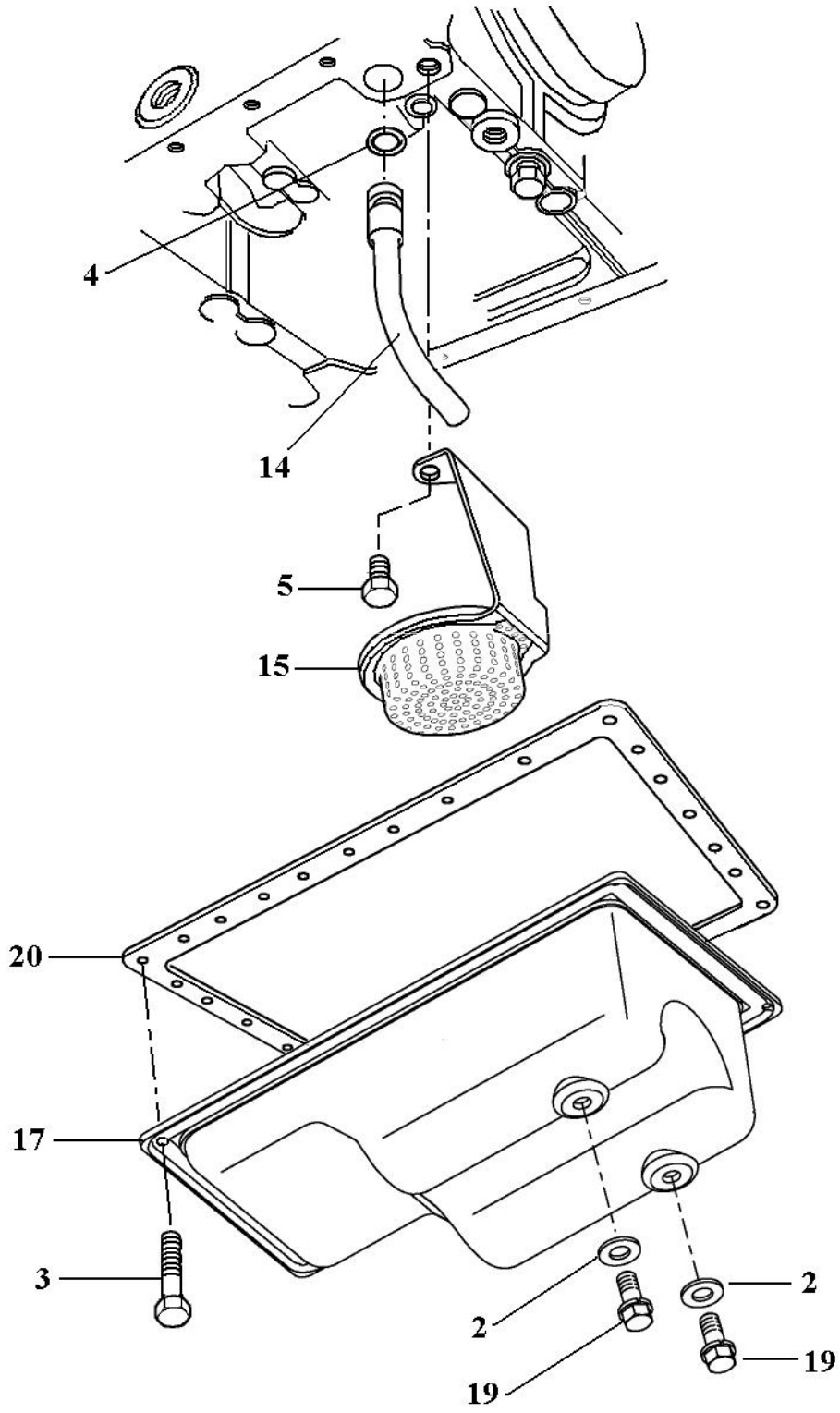
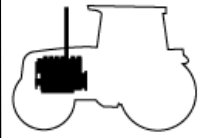
T543/T603

PAN GROUP-OIL

P1

Year / Month

2007 / 02



NOTE

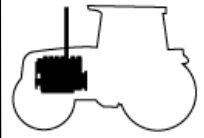
FIG 103

PAN GROUP-OIL

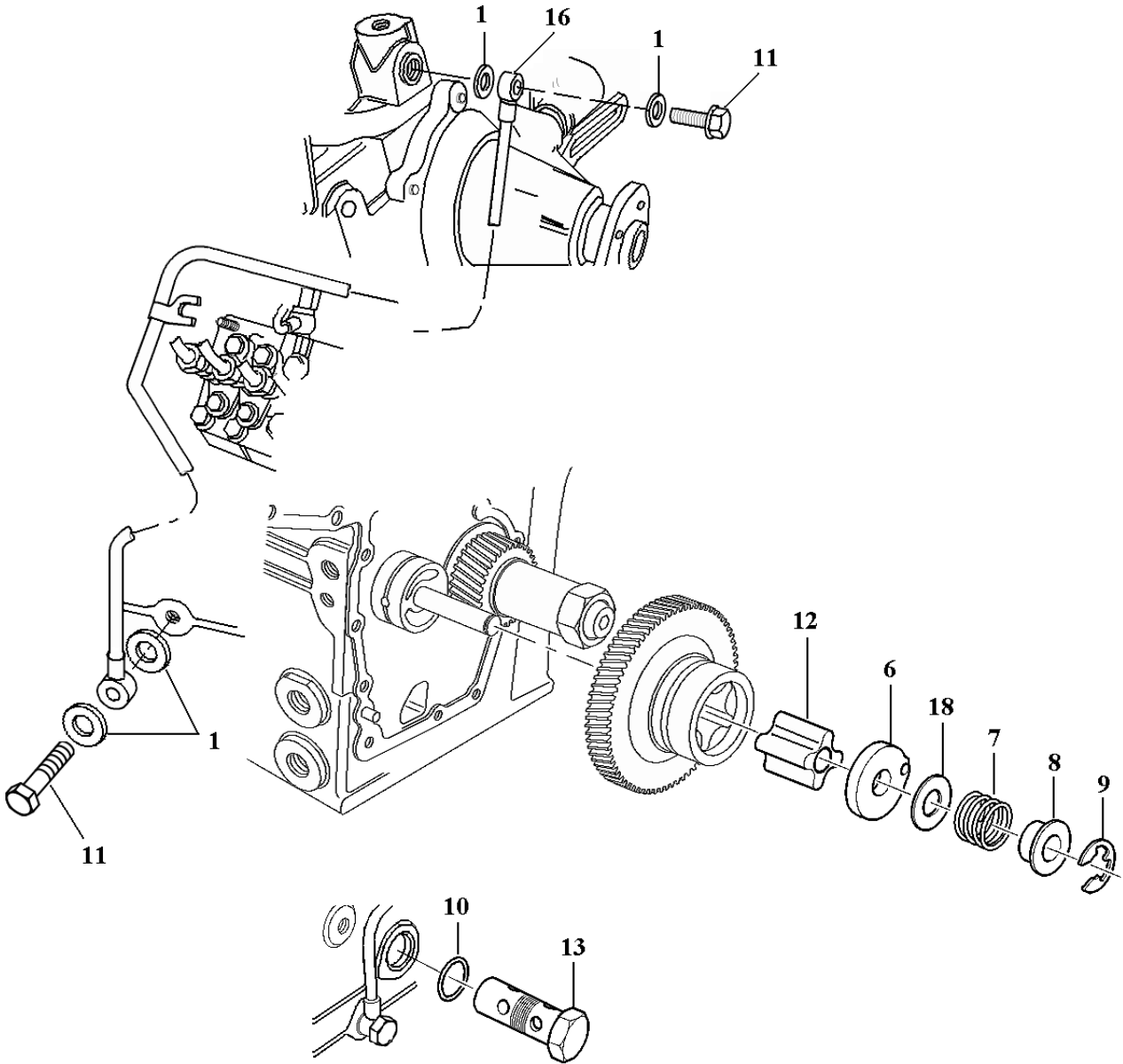
P2

Year / Month

2007 / 02



T543/T603



NOTE

FIG 104

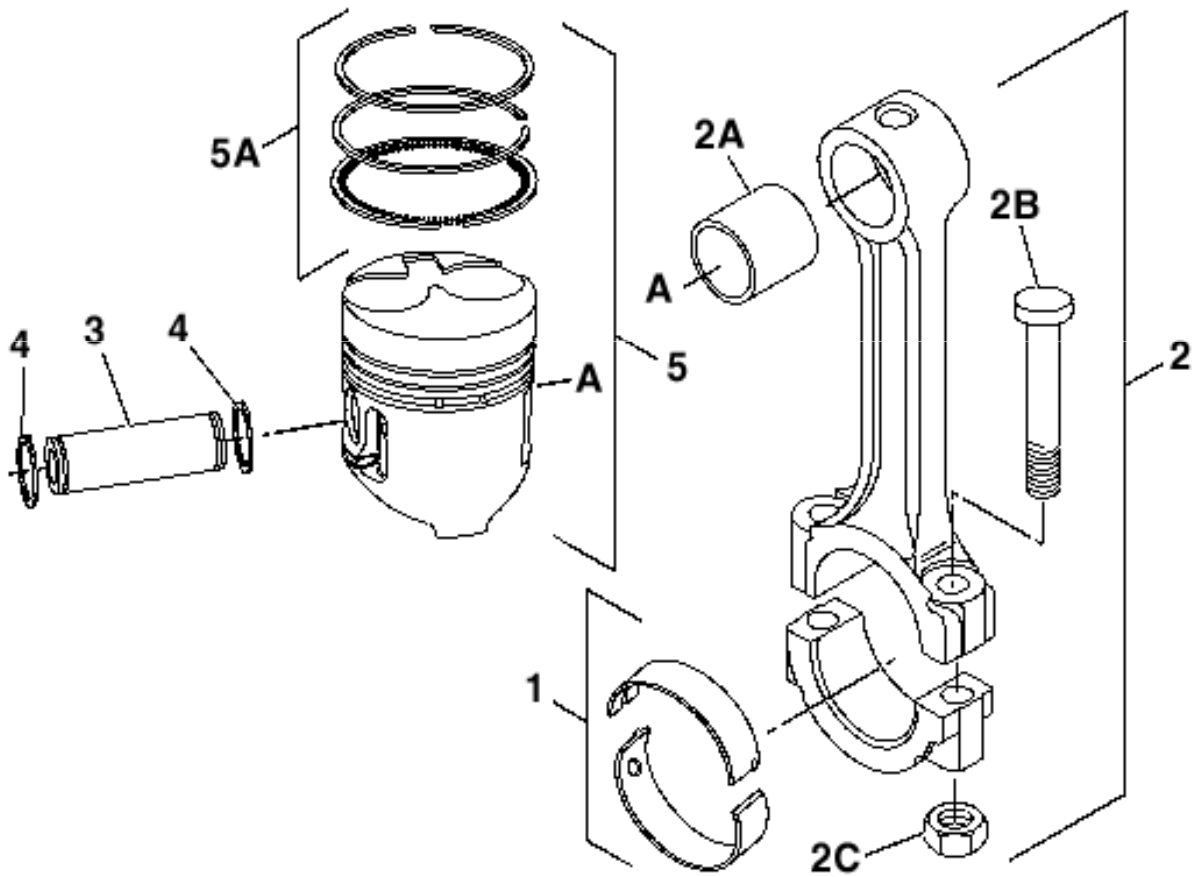
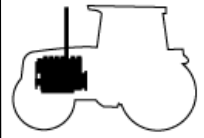
T543/T603

PISTON & ROD GROUP

P1

Year / Month

2007 / 02



NOTE

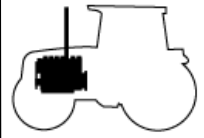
FIG 105

CAMSHAFT GROUP

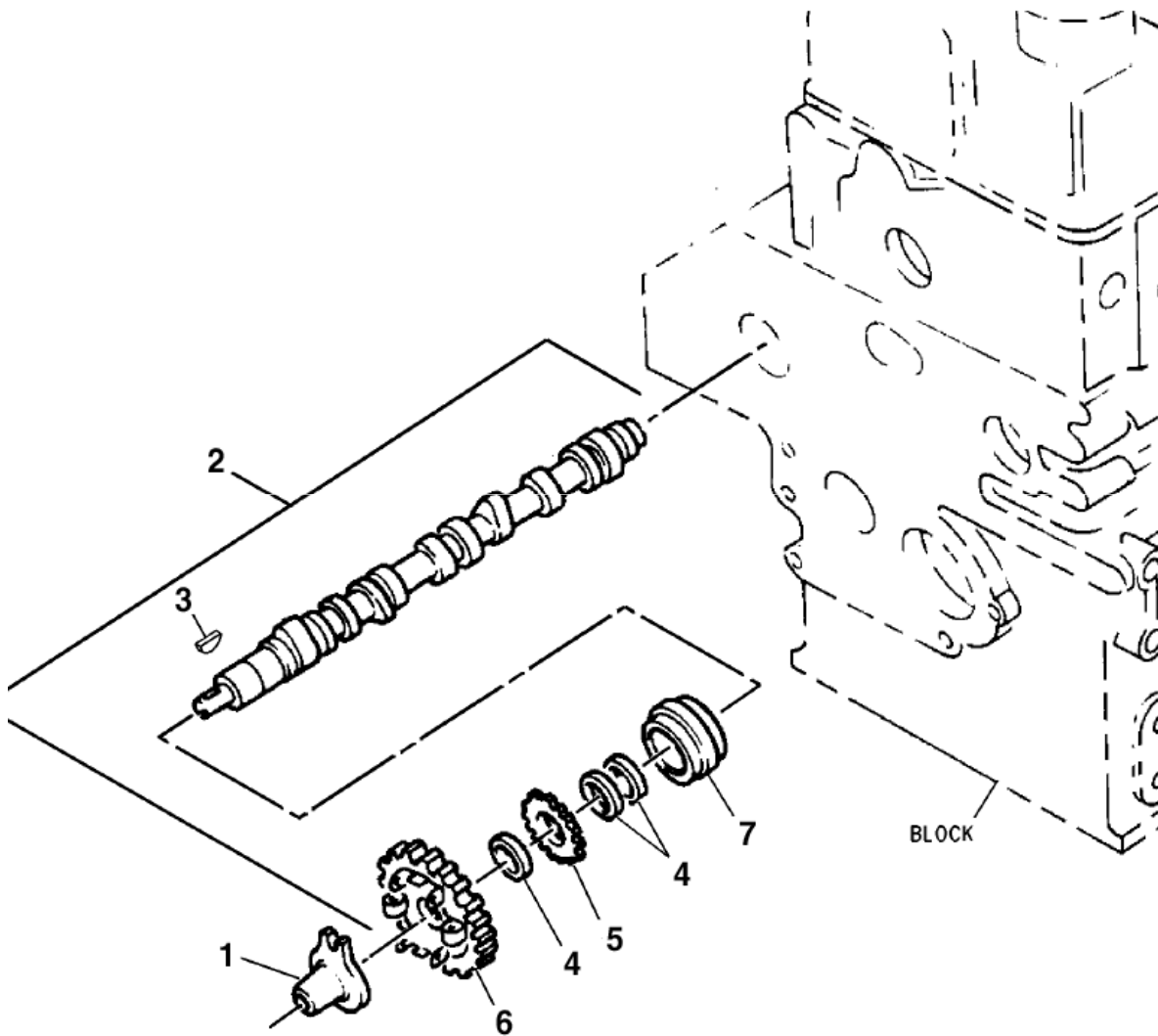
P1

Year / Month

2007 / 02



T543/T603



NOTE

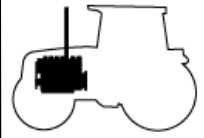
FIG 106

HOUSING GROUP-FRONT

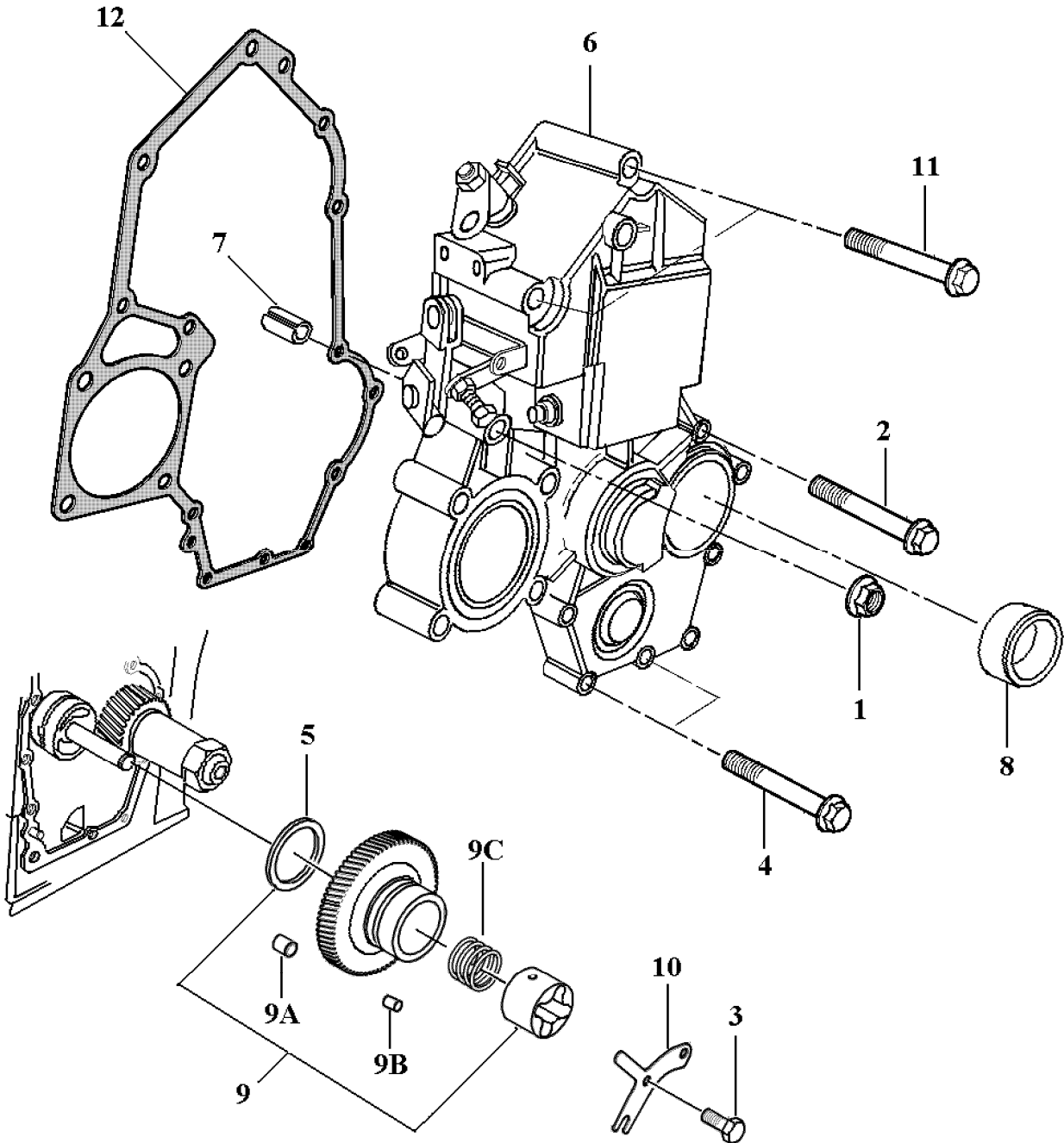
P1

Year / Month

2007 / 02



T543/T603



NOTE

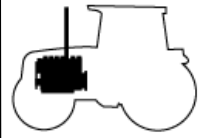
FIG 107

GOVERNOR GROUP

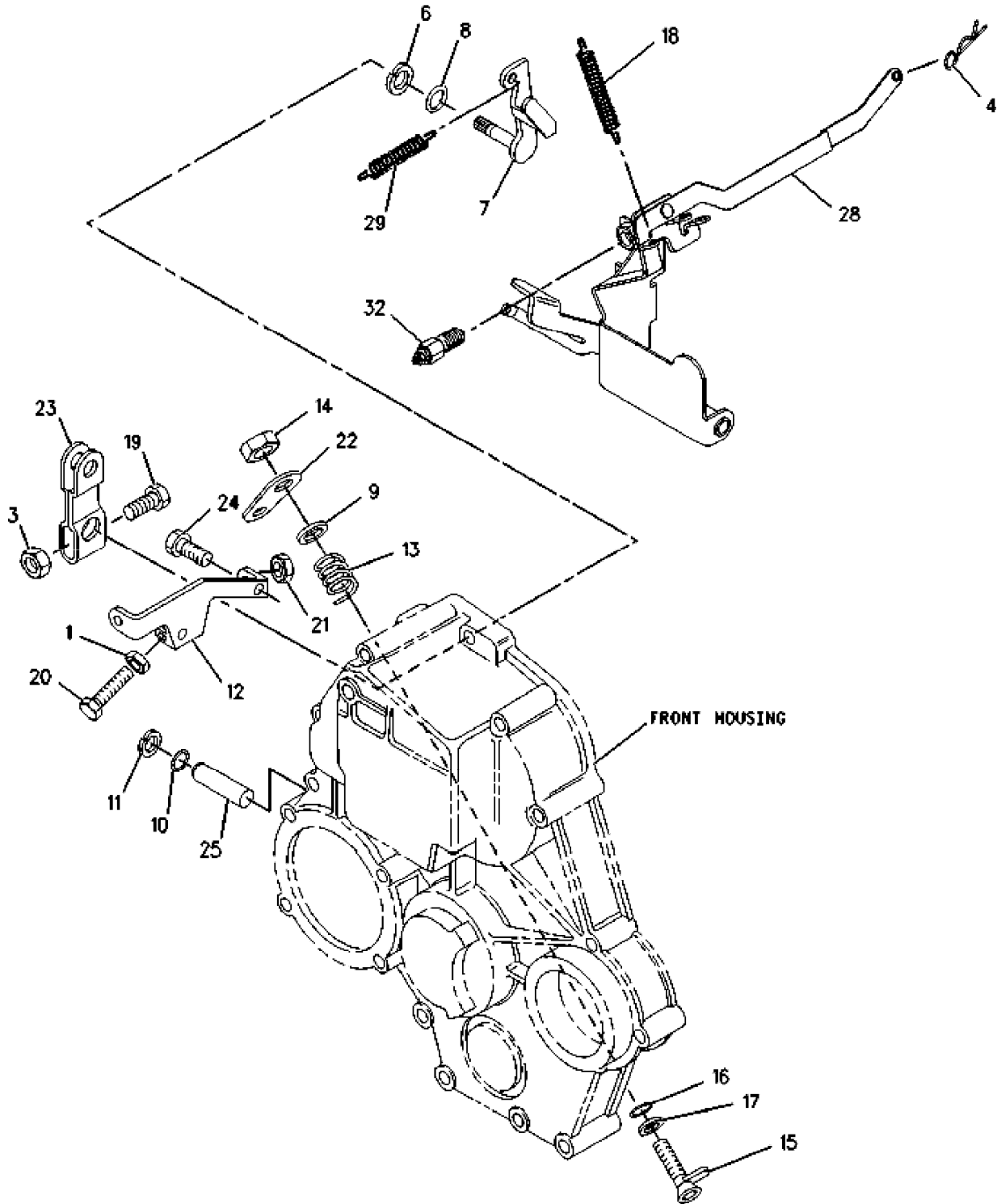
P1

Year / Month

2007 / 02



T543/T603



NOTE

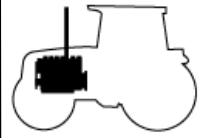
FIG 107

GOVERNOR GROUP

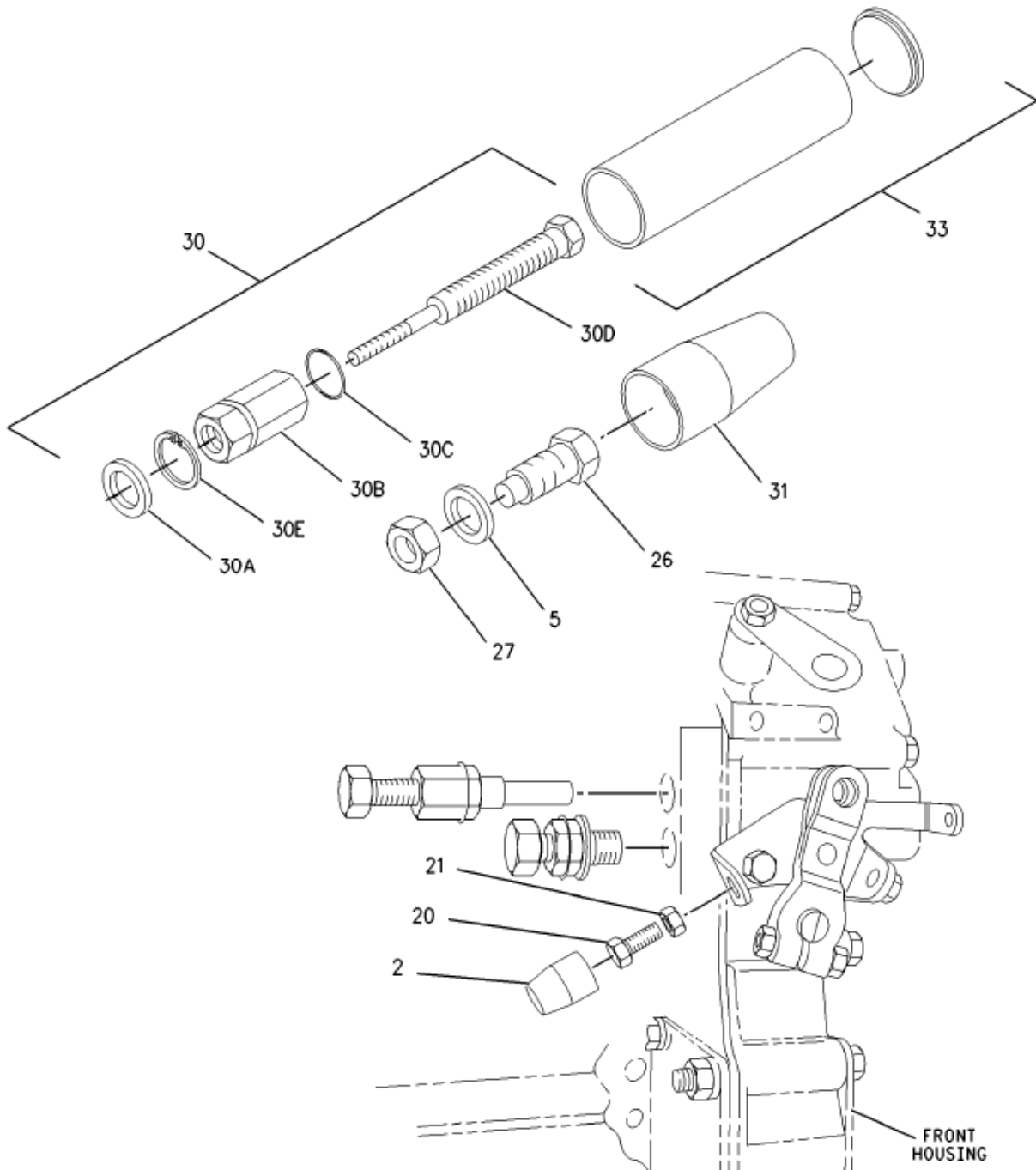
P2

Year / Month

2007 / 02



T543/T603



NOTE

FIG 108

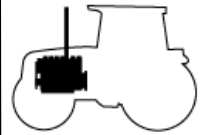
T543/T603

BEARING & GEAR

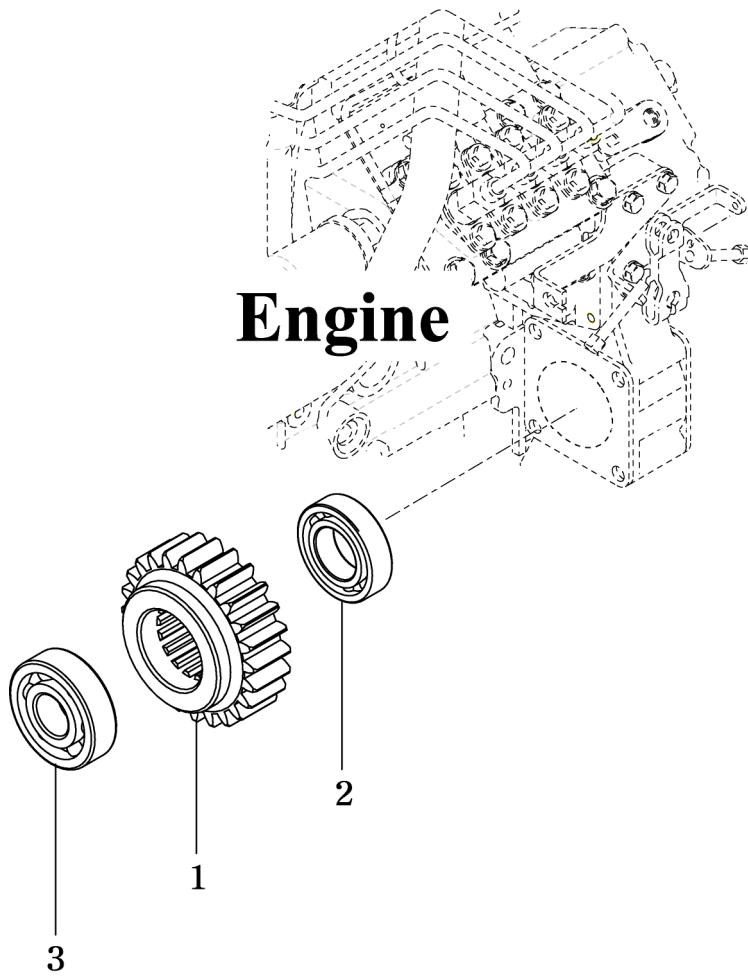
P1

Year / Month

2007 / 02



Engine



NOTE

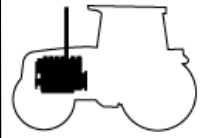
FIG 109

PULLEY GROUP-AUXILIARY DRIVE

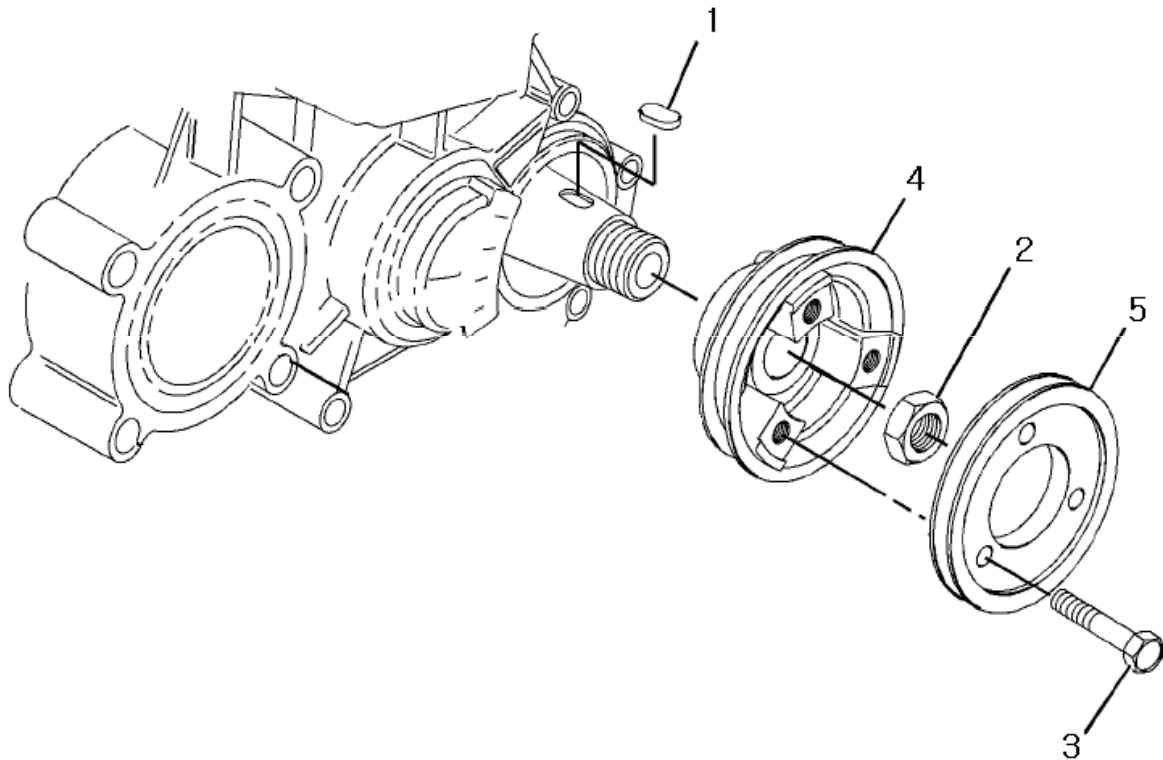
P1

Year / Month

2007 / 02



T543/T603



NOTE

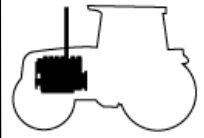
FIG 110

CYLINDER HEAD GROUP (1)

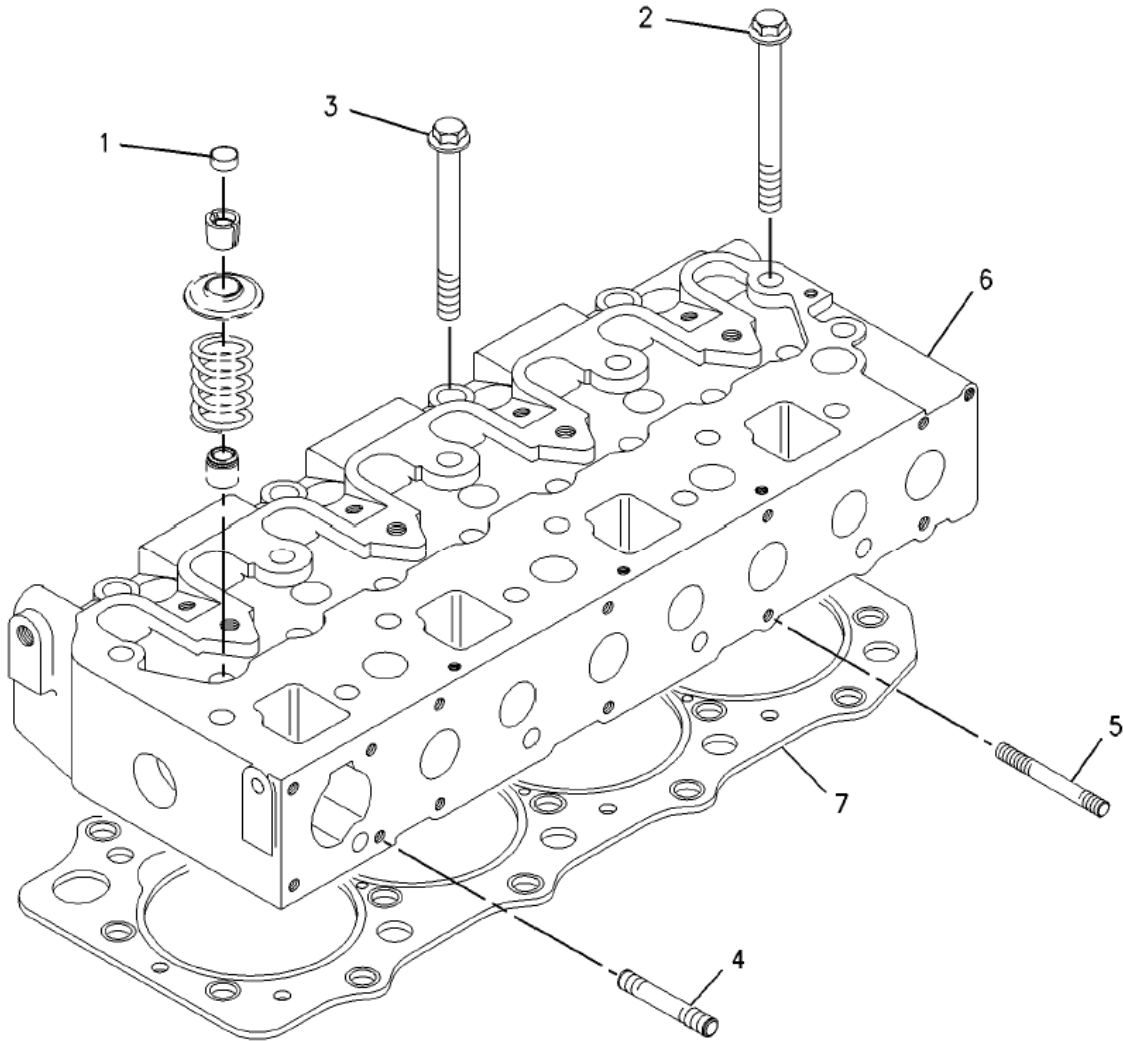
P1

Year / Month

2007 / 02



T543/T603



NOTE

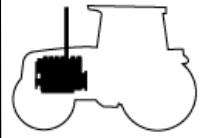
FIG 111

CYLINDER HEAD GROUP (2)

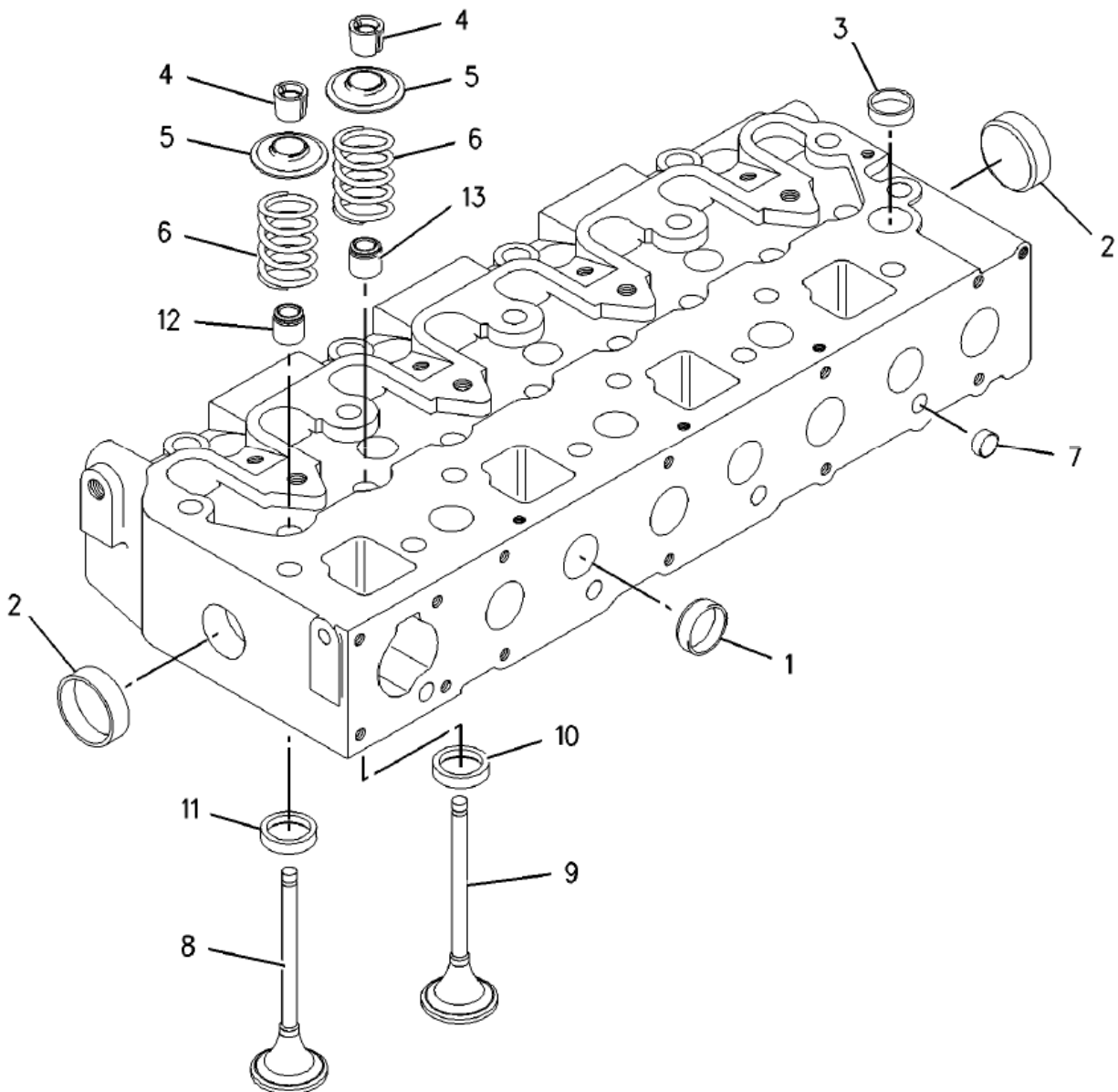
P1

Year / Month

2007 / 02



T543/T603



NOTE

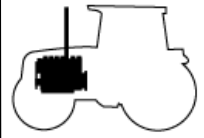
FIG 112

VALVE MECHANISM GROUP

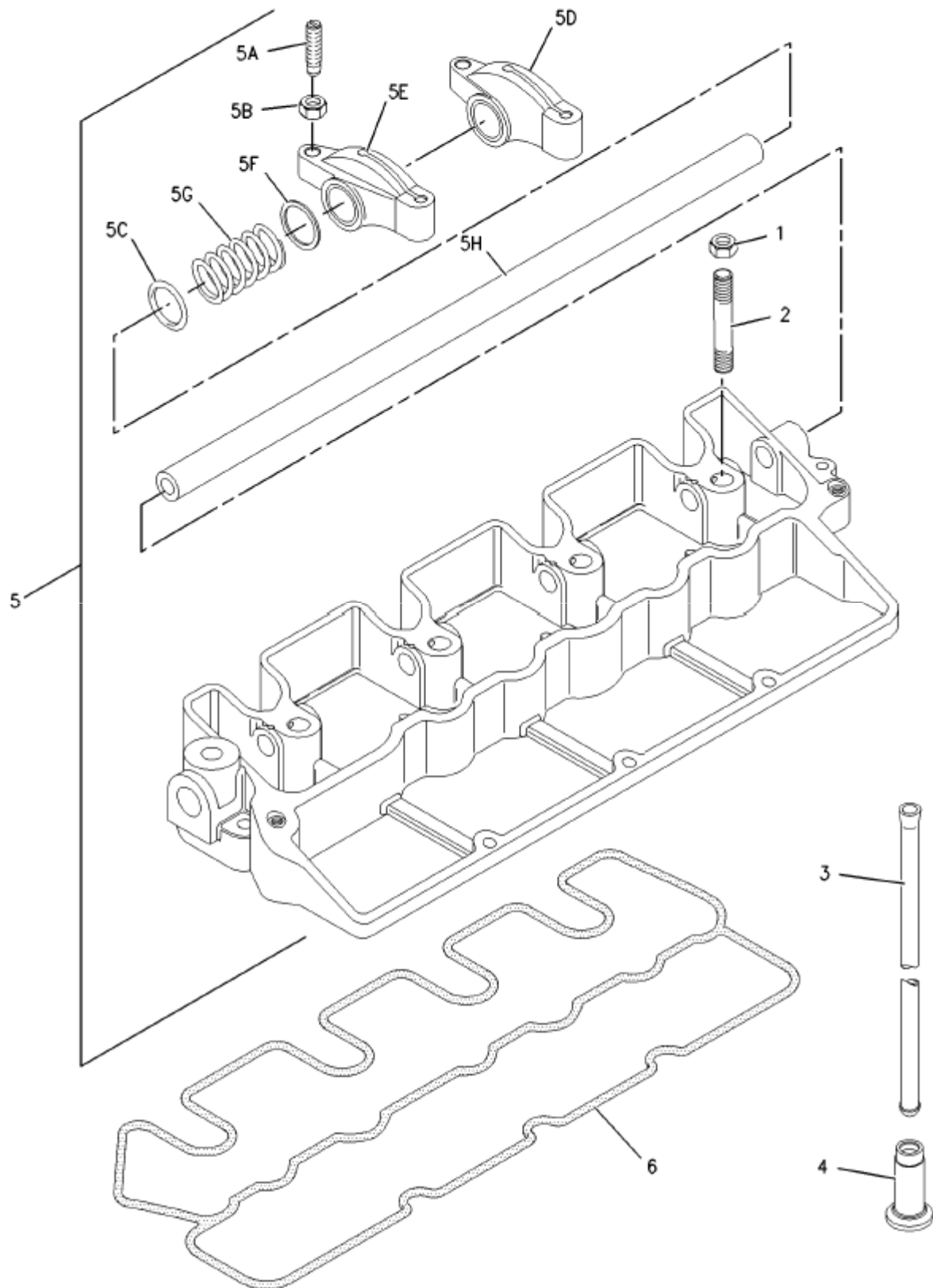
P1

Year / Month

2007 / 02



T543/T603



NOTE

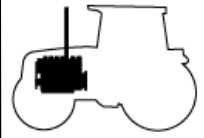
FIG 113

COVER GROUP-VALVE MECHANISM

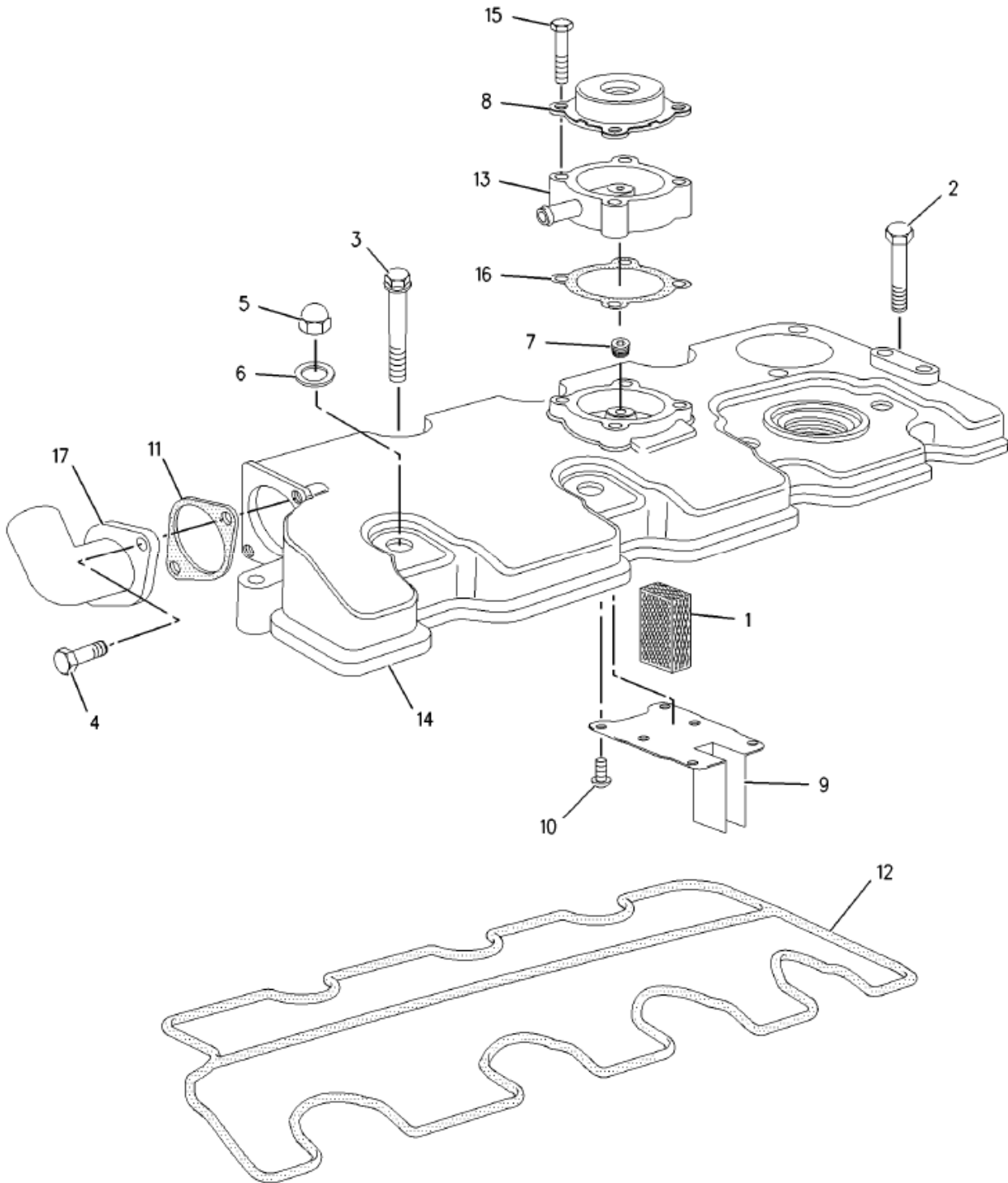
P1

Year / Month

2007 / 02



T543/T603



NOTE

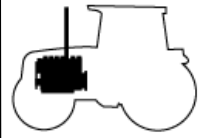
FIG 114

PUMP GROUP-FUEL INJECTION

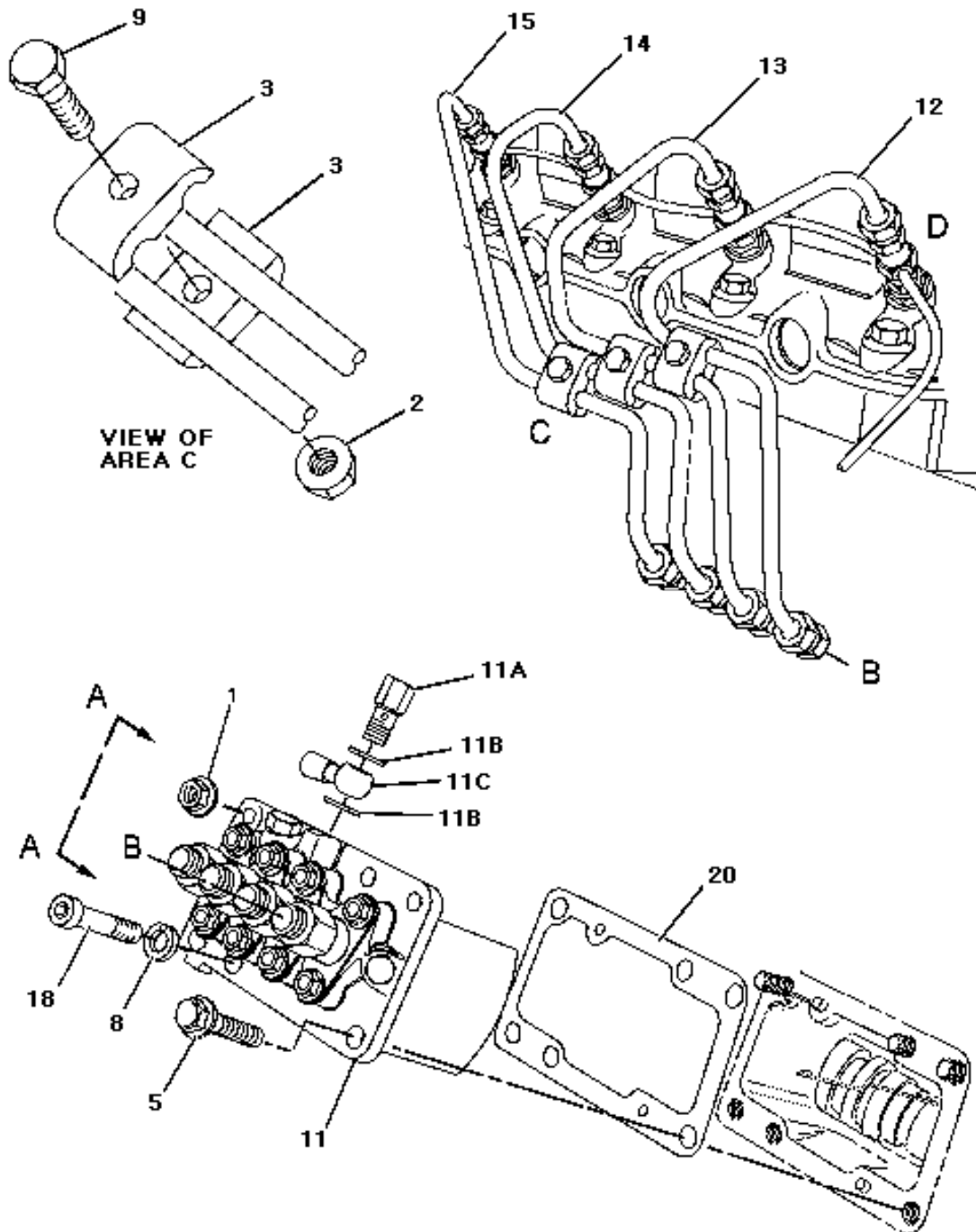
P1

Year / Month

2007 / 02



T543/T603



REFER TO ALL ILLUSTRATION OF THIS GROUP FOR AUXILIARY VIEWS

NOTE

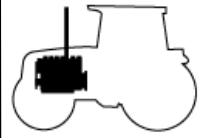
FIG 114

PUMP GROUP-FUEL INJECTION

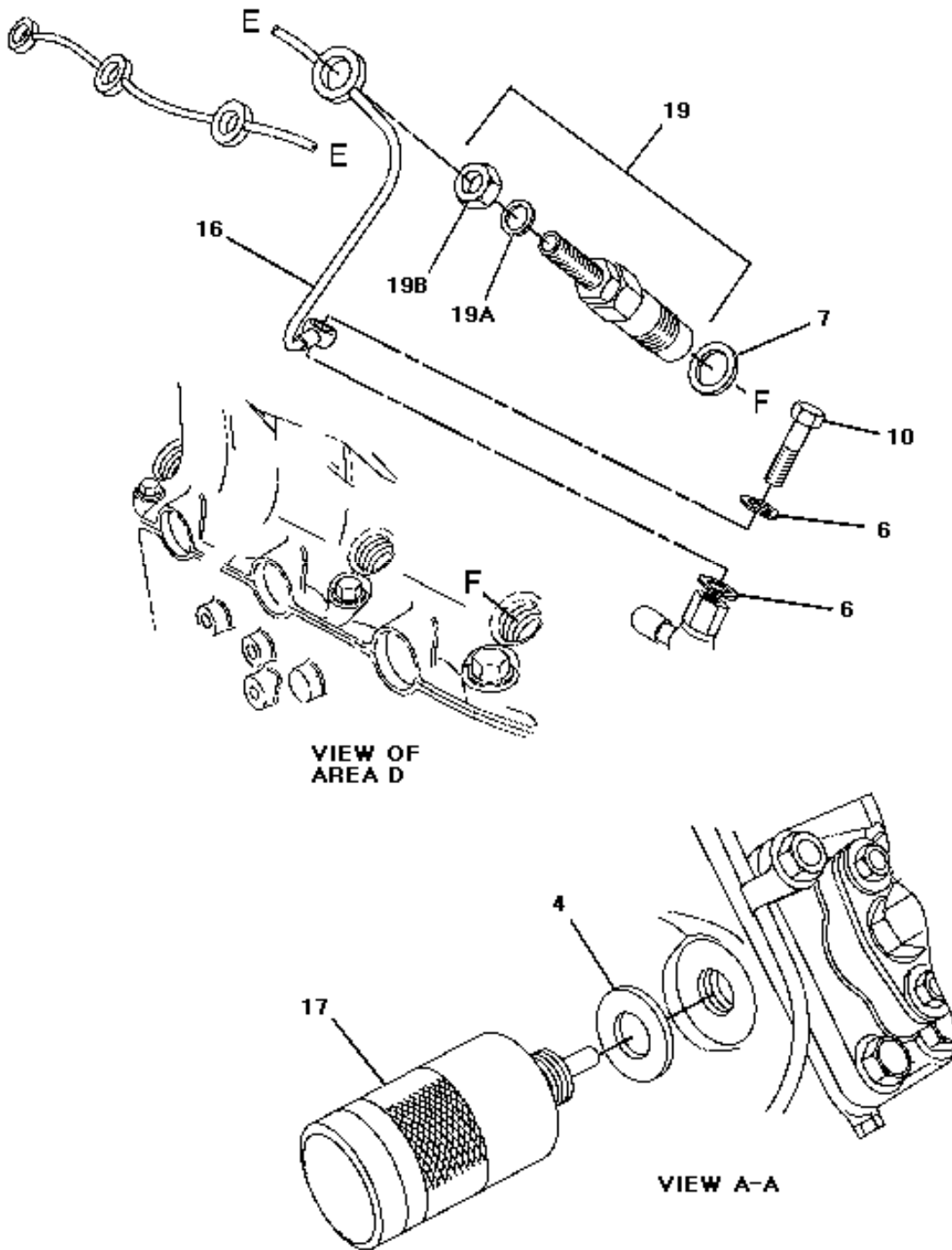
P2

Year / Month

2007 / 02



T543/T603



NOTE

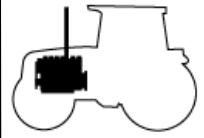
FIG 115

FLYWHEEL GROUP

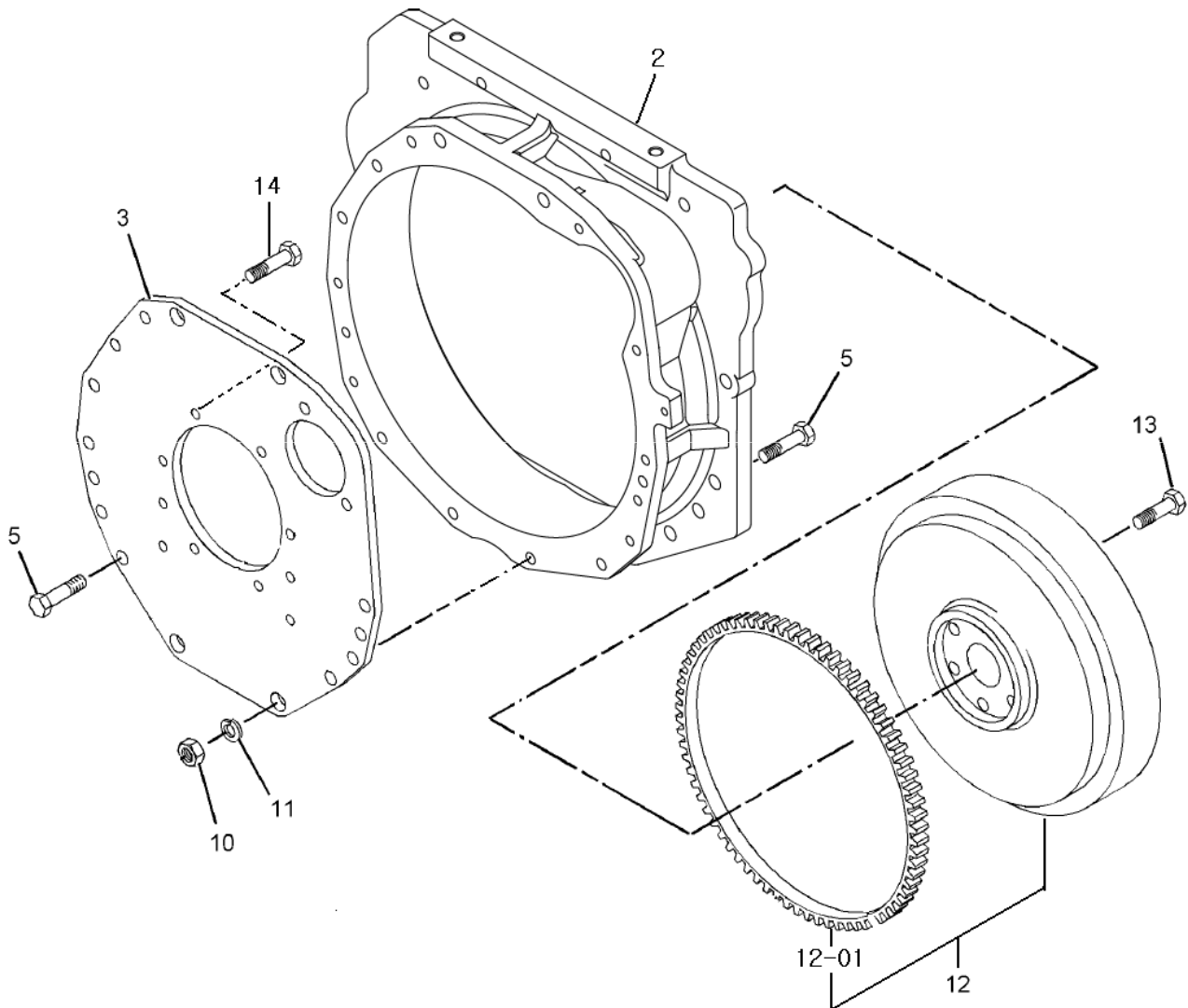
P1

Year / Month

2007 / 02



T543/T603



NOTE

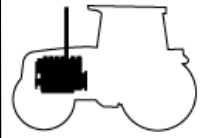
FIG 116

ADAPTER GROUP-BEARING

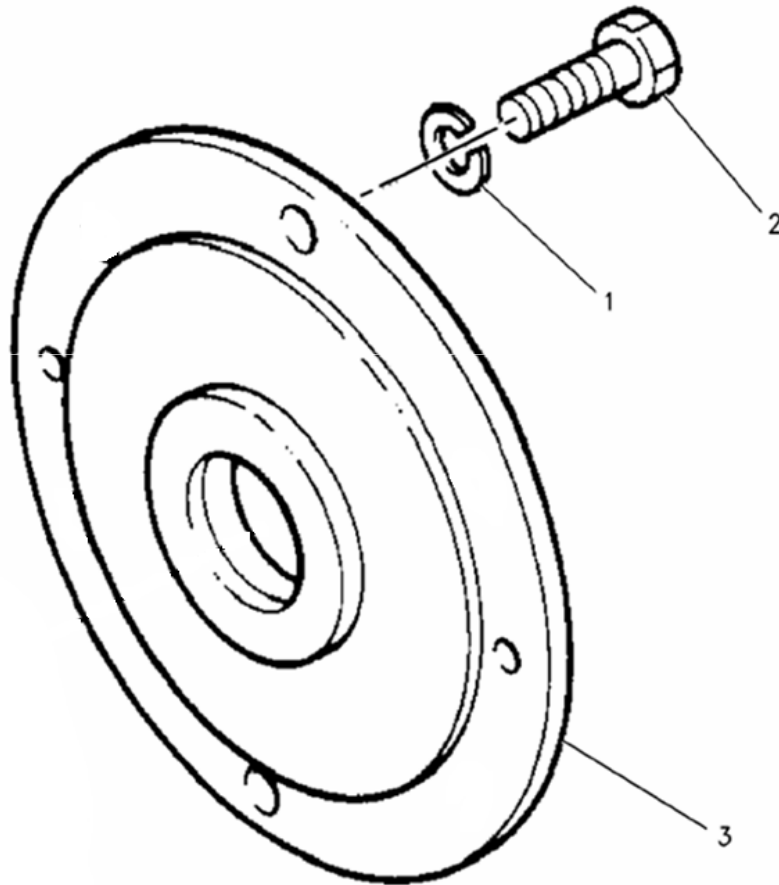
P1

Year / Month

2007 / 02



T543/T603



NOTE

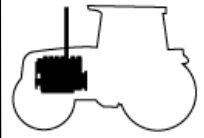
FIG 117

PUMP GROUP-WATER (1)

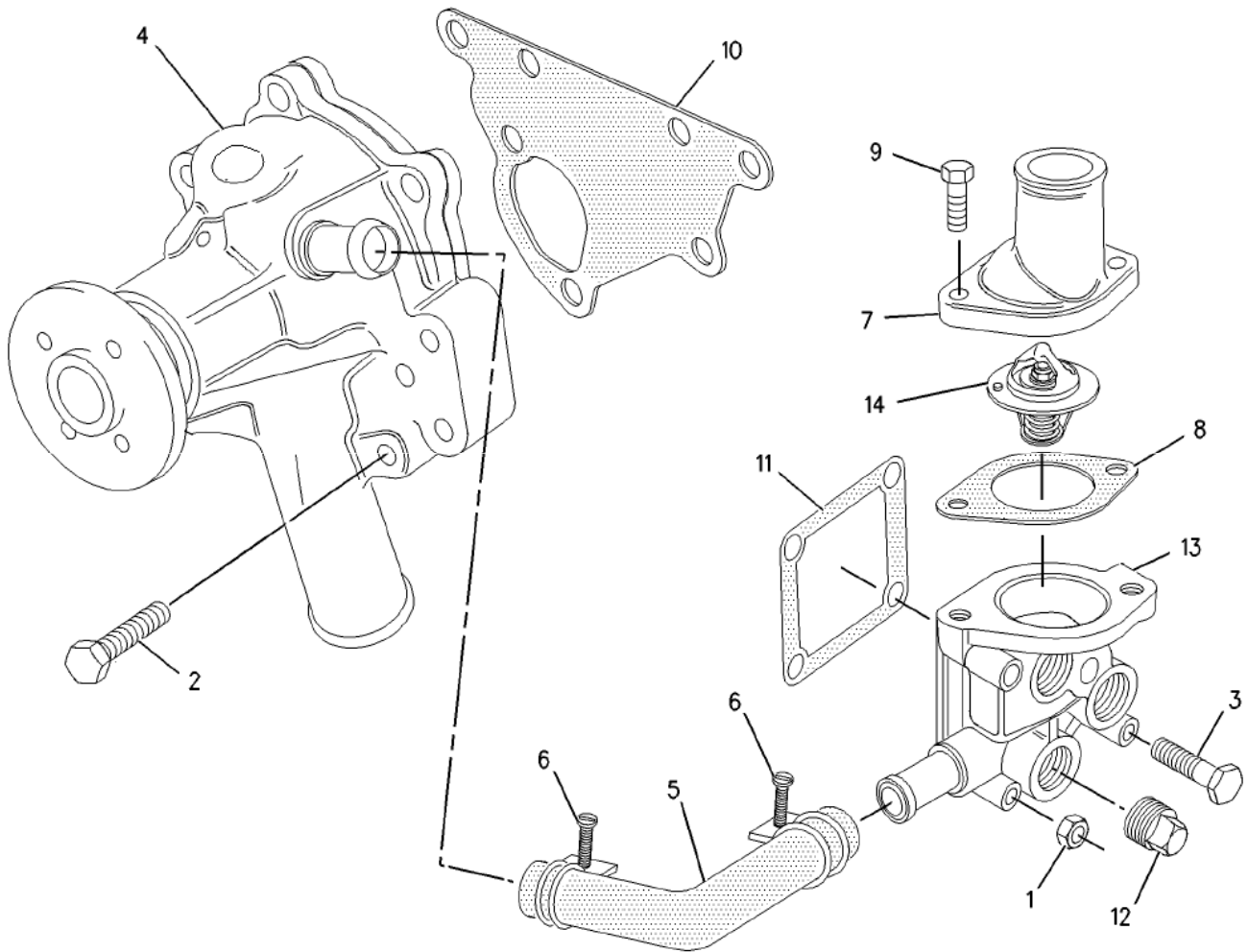
P1

Year / Month

2007 / 02



T543/T603



NOTE

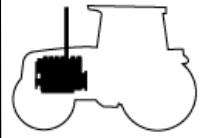
FIG 118

PUMP GROUP-WATER (2)

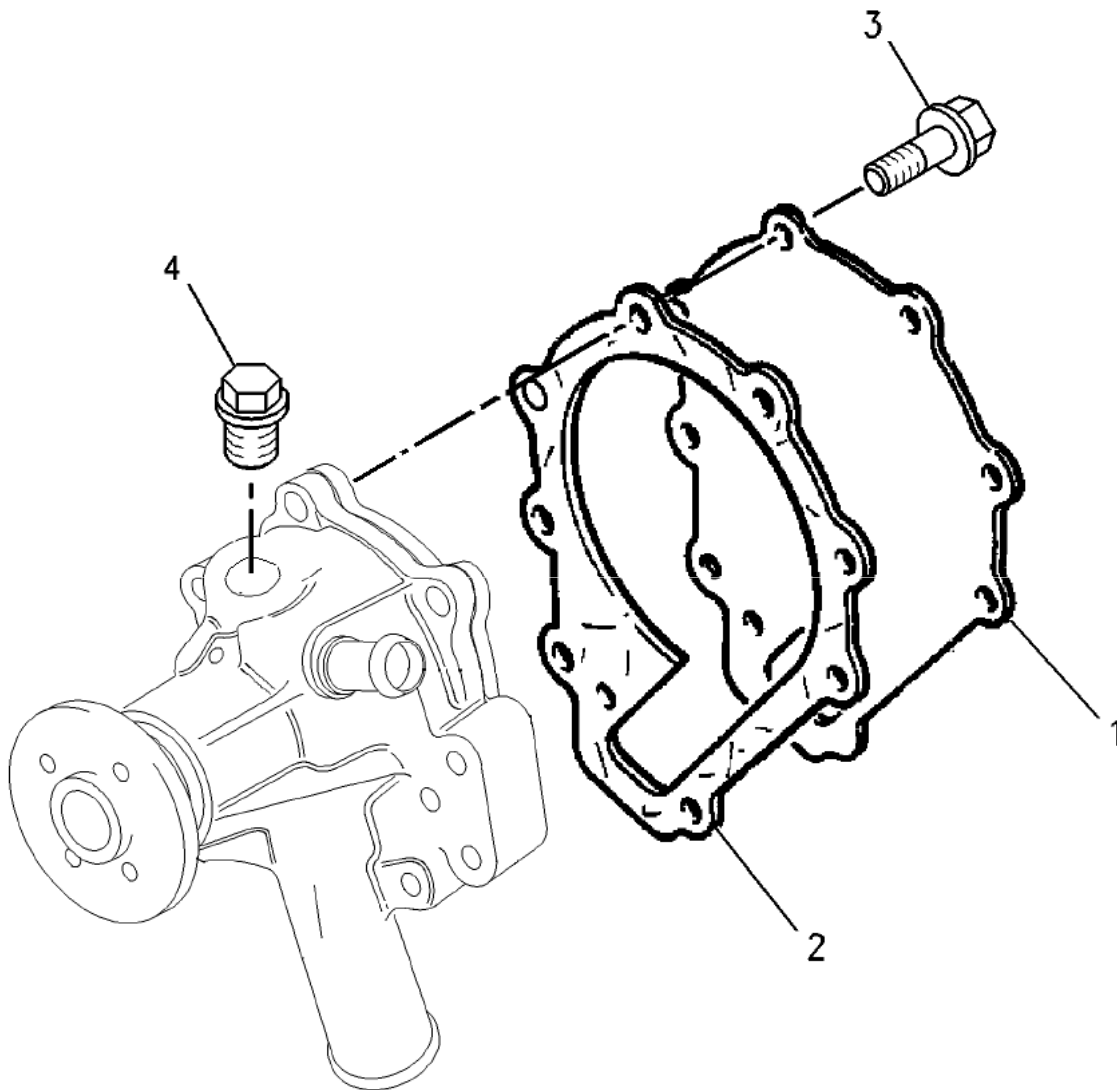
P1

Year / Month

2007 / 02



T543/T603



NOTE

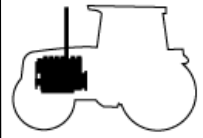
FIG 119

COOLER GROUP-FILTER BASE

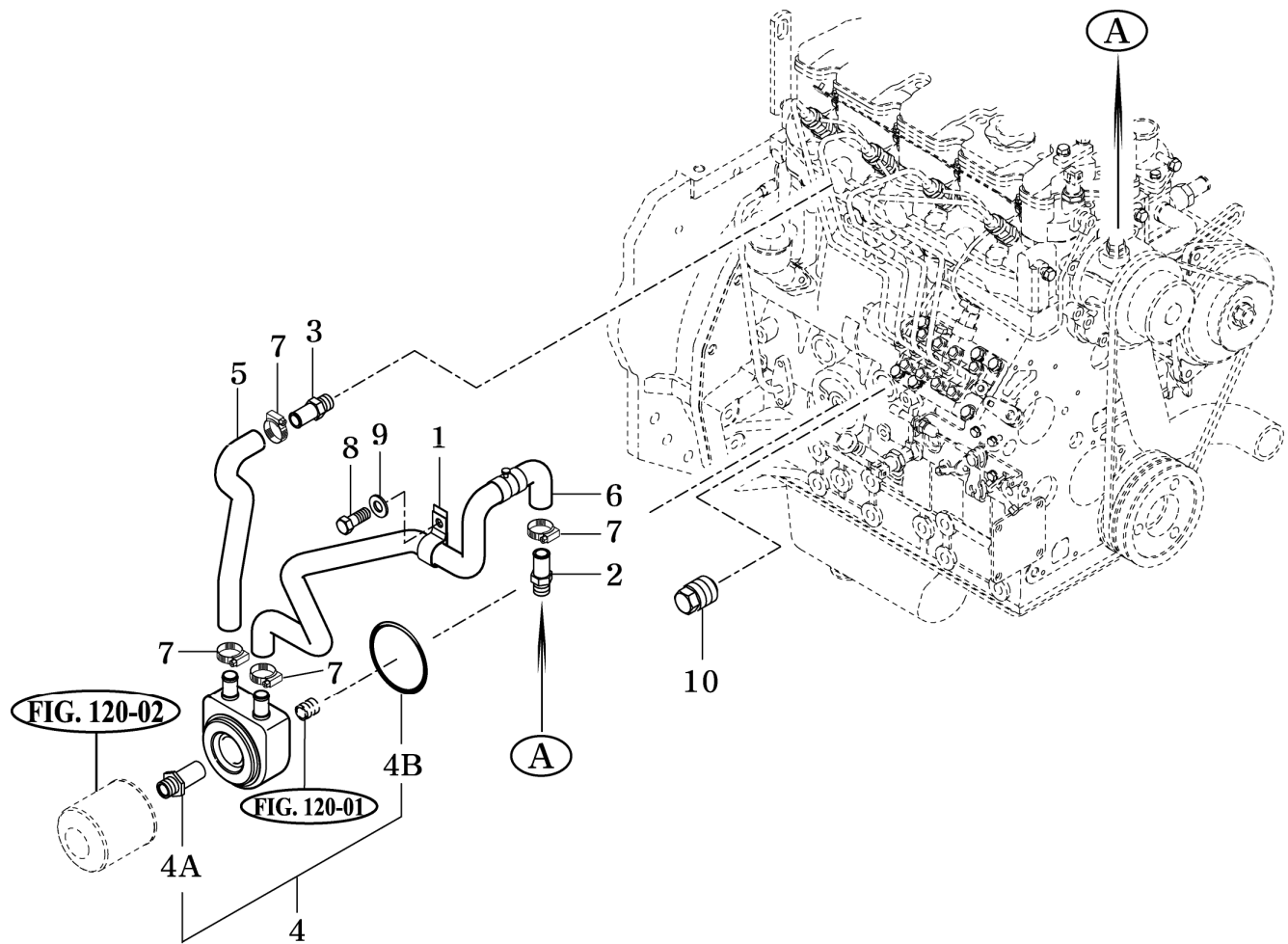
P1

Year / Month

2007 / 02



T543/T603



NOTE

FIG 120

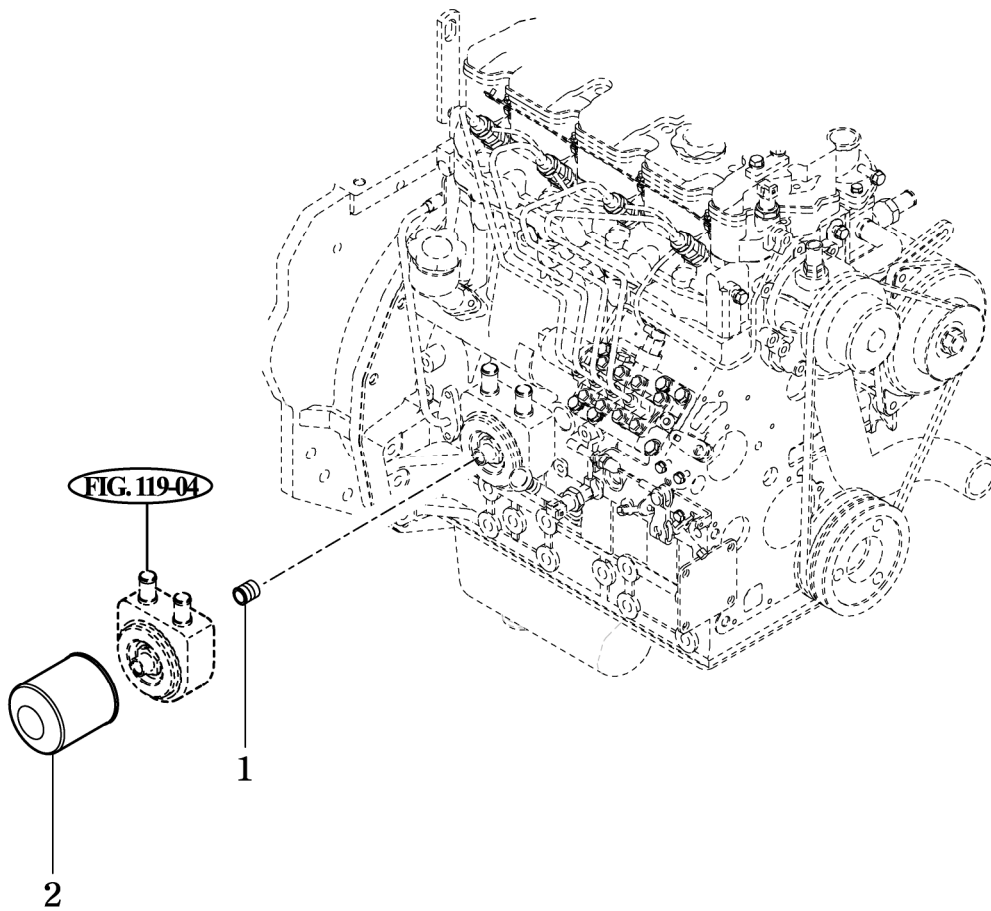
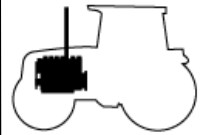
T543/T603

ENGINE OIL FILTER

P1

Year / Month

2007 / 02



NOTE

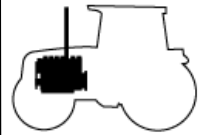
FIG 121

FAN GROUP-BLOWER

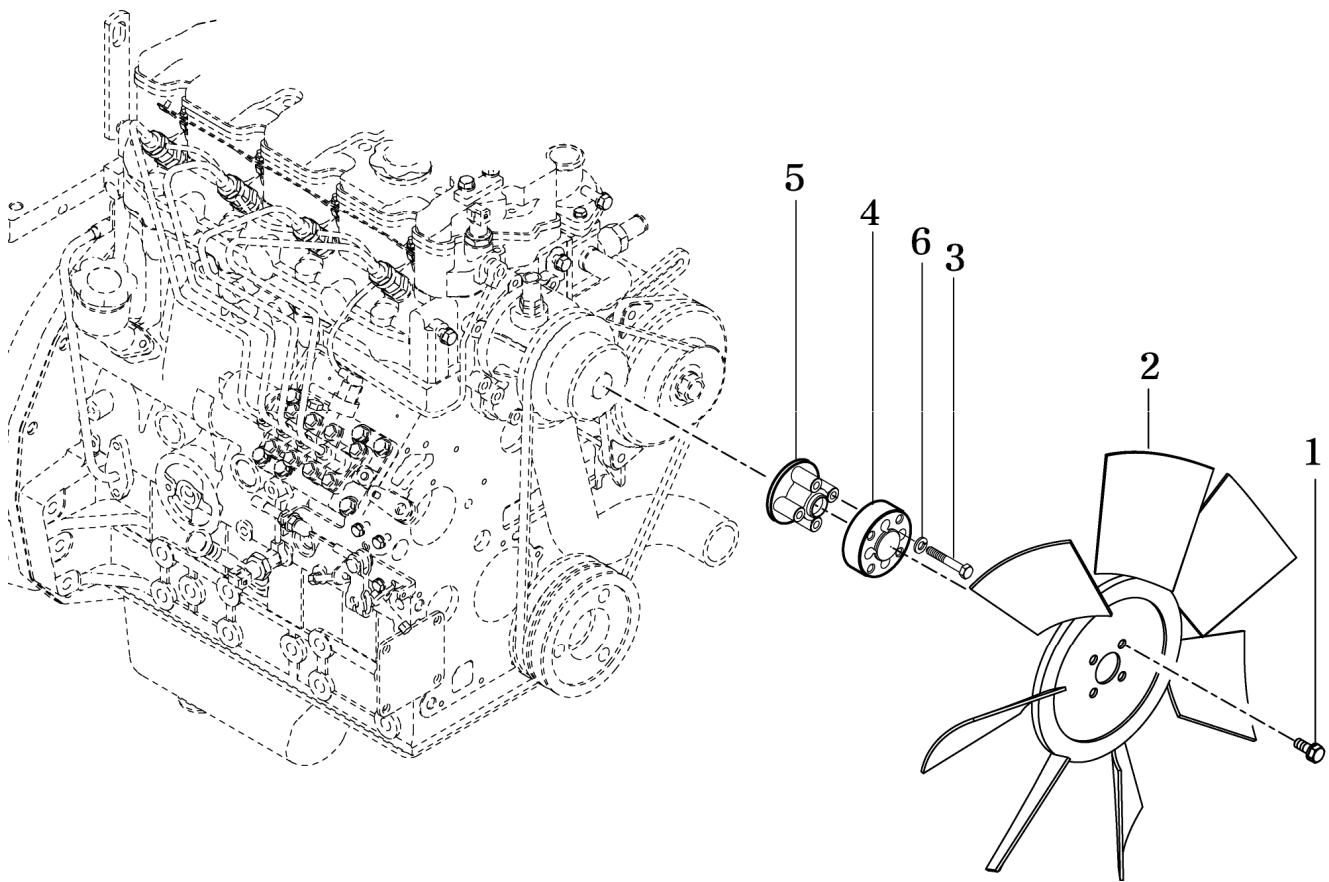
P1

Year / Month

2007 / 02



T543/T603



NOTE

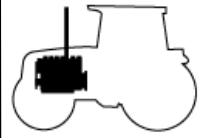
FIG 122

PULLEY GROUP-WATER PUMP

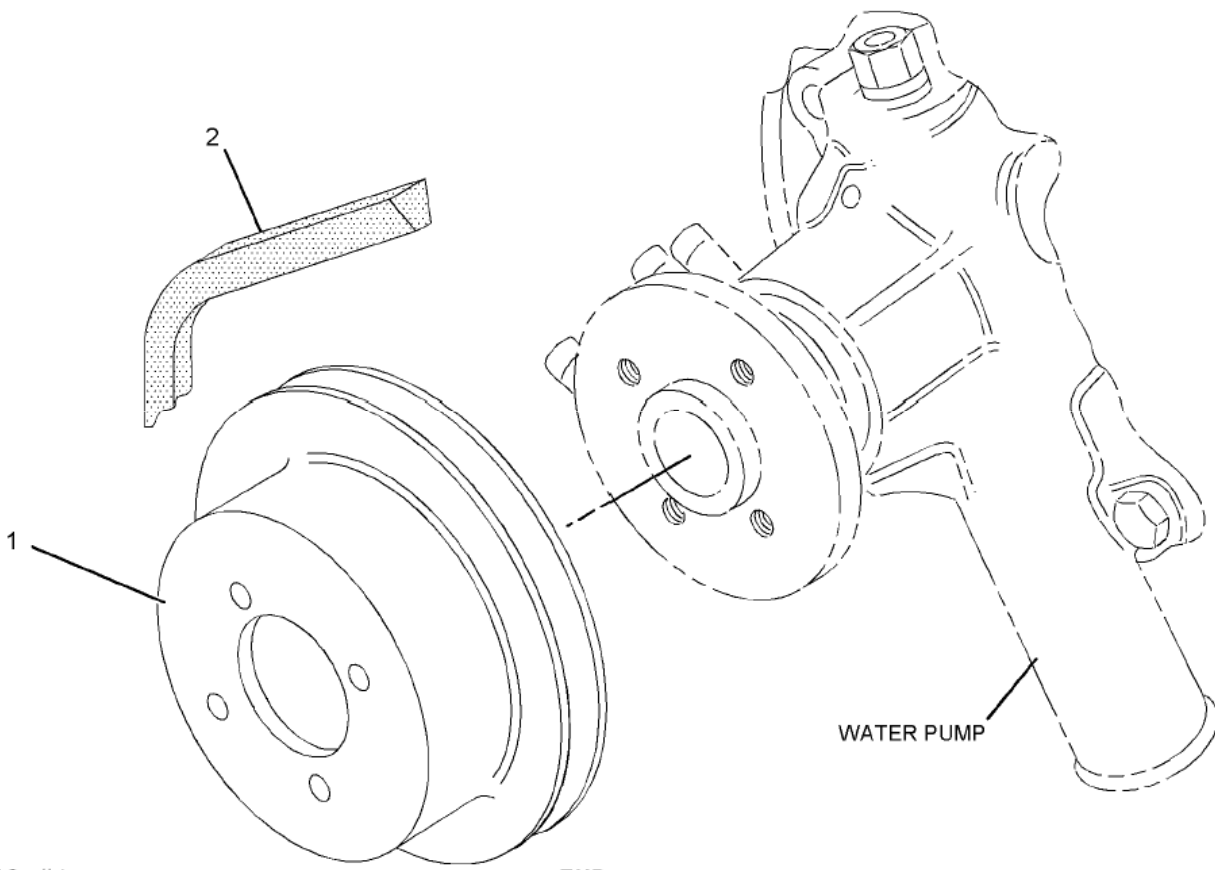
P1

Year / Month

2007 / 02



T543/T603



NOTE

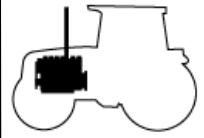
FIG 123

SENSOR GROUP-TEMP & PRESS

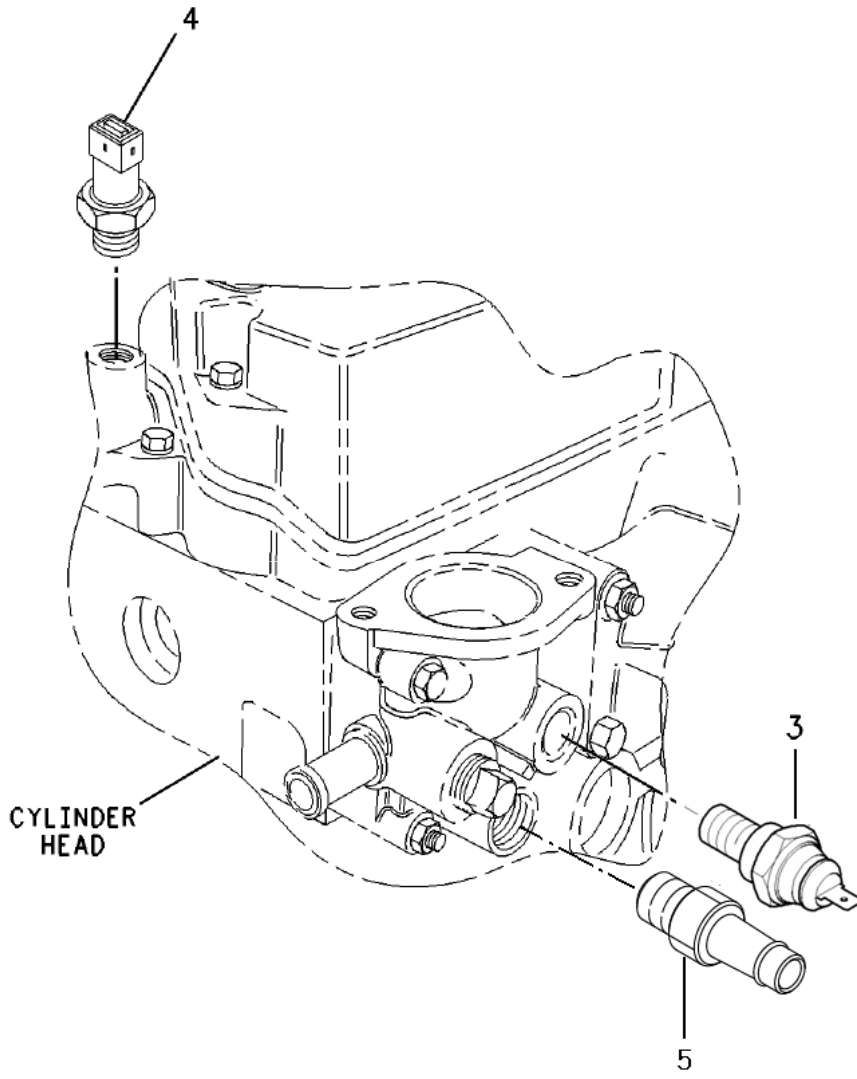
P1

Year / Month

2007 / 02



T543/T603



NOTE

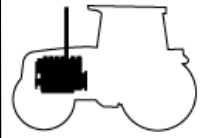
FIG 124

MANIFOLD GROUP-EXHAUST

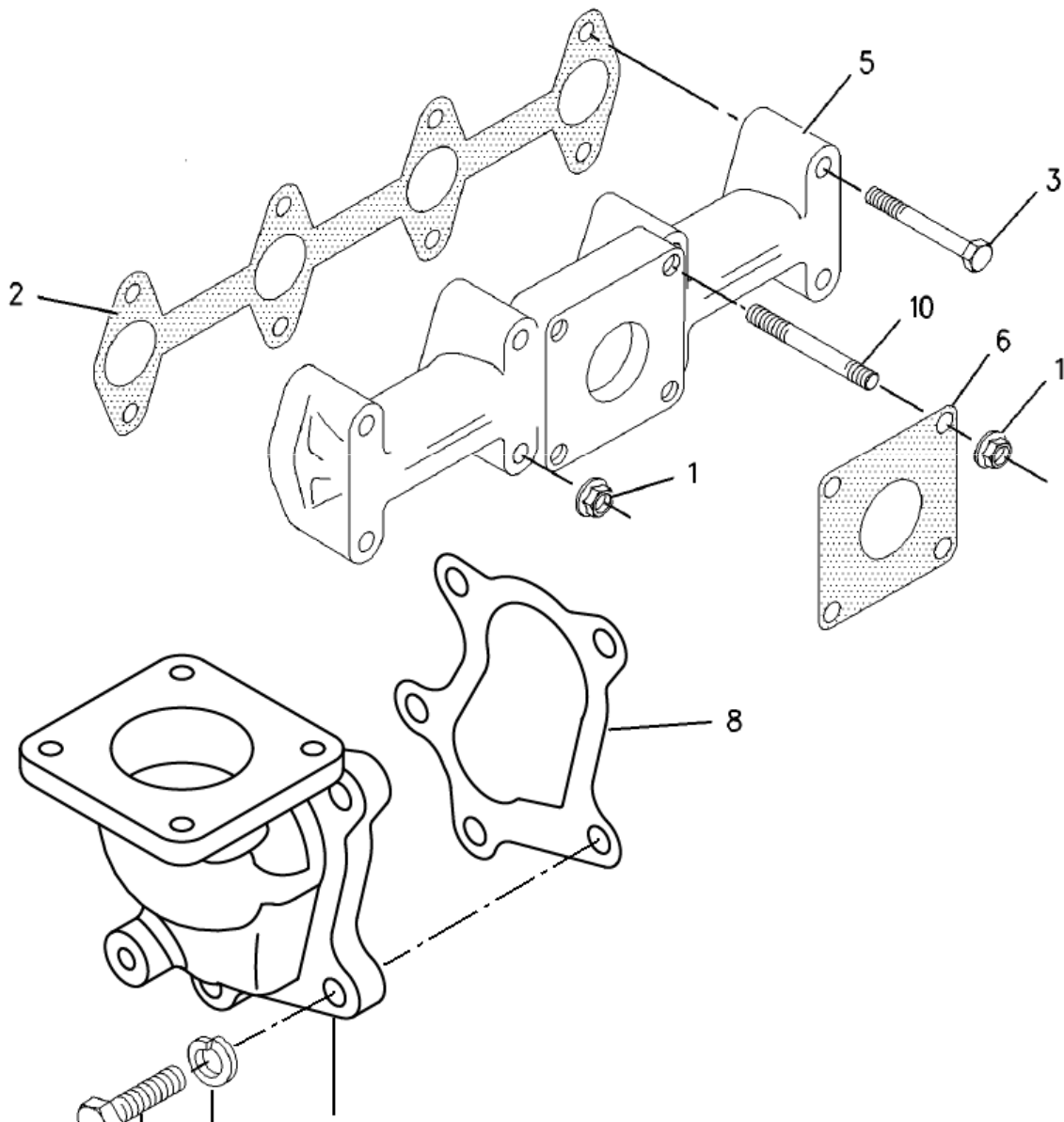
P1

Year / Month

2007 / 02



T543/T603



NOTE

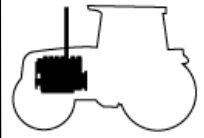
FIG 125

TURBOCHARGER GROUP

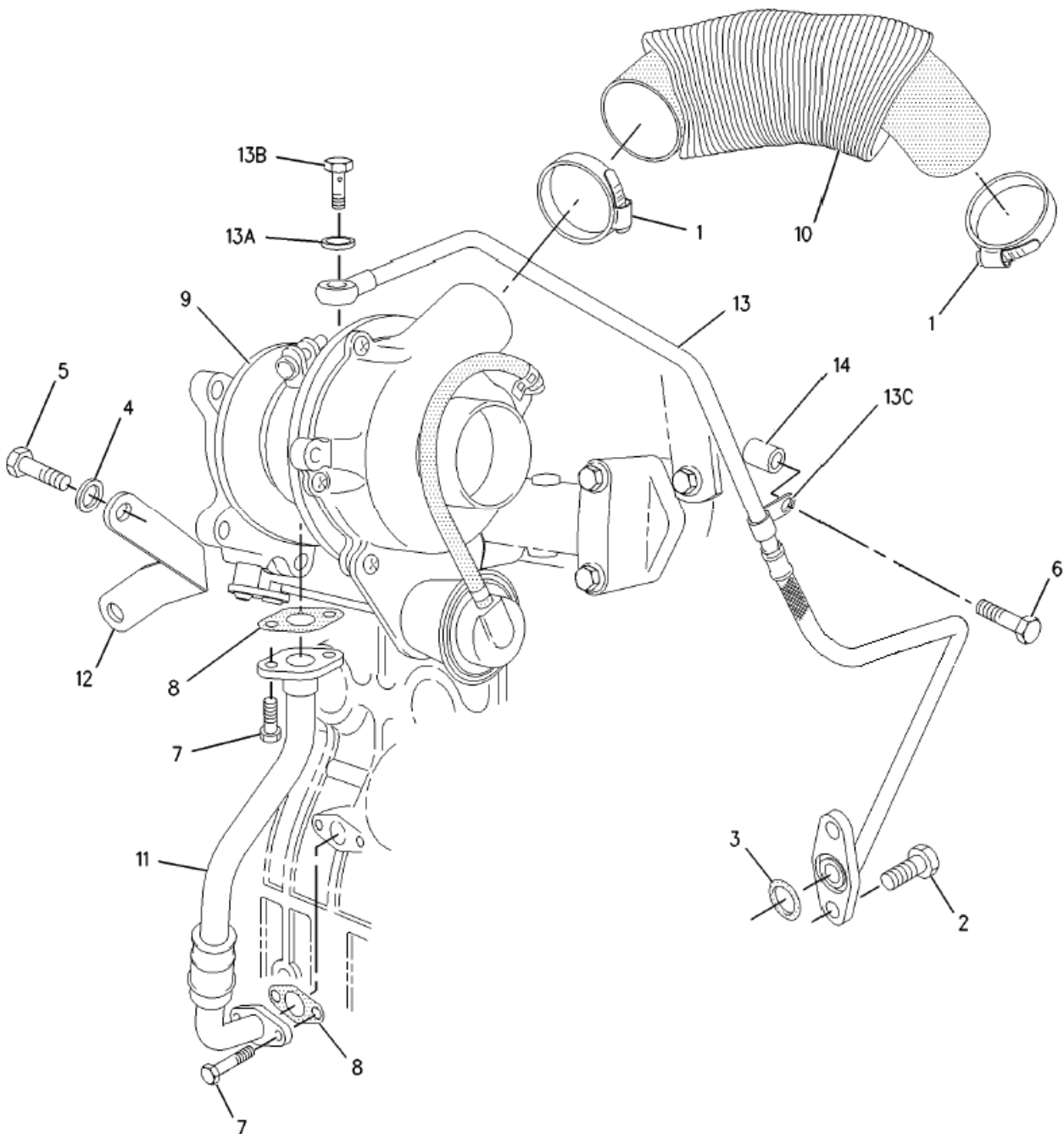
P1

Year / Month

2007 / 02



T543/T603



NOTE

FIG 127

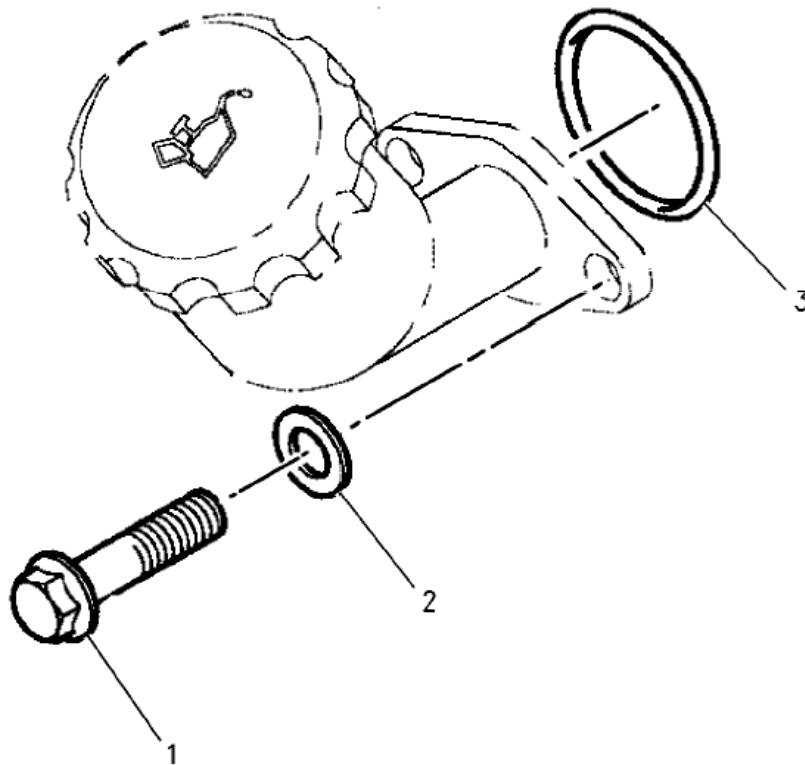
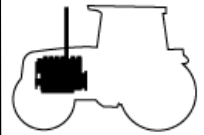
T543/T603

MOUNTING GROUP-ENGINE
OIL FILLER

P1

Year / Month

2007 / 02



NOTE

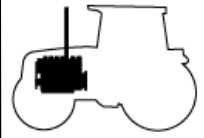
FIG 129

ALTERNATOR GROUP-CHARGING

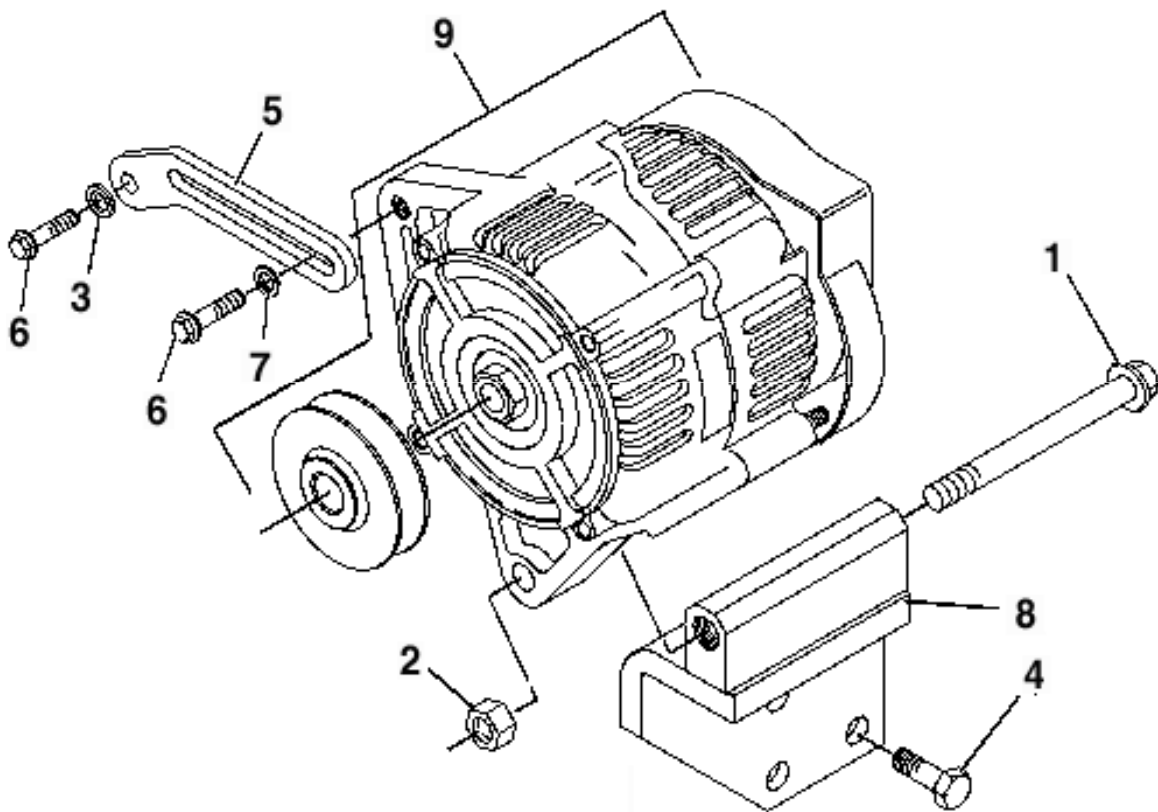
P1

Year / Month

2007 / 02



T543/T603



NOTE

FIG 130

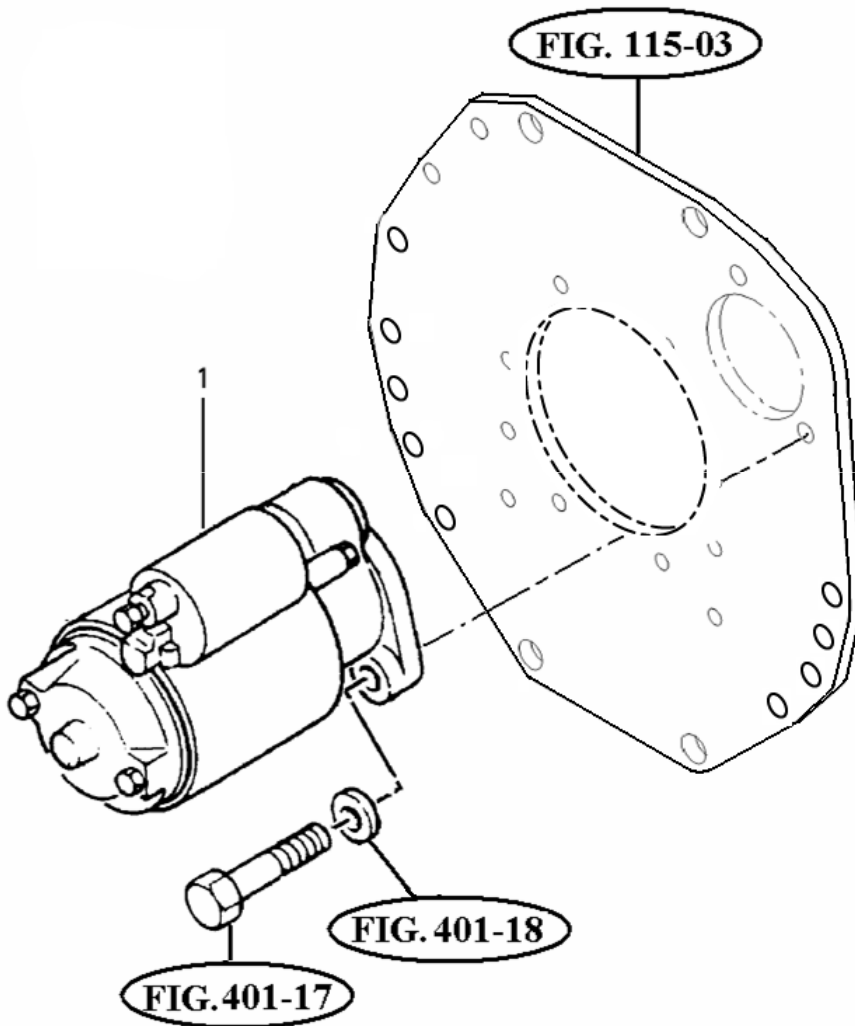
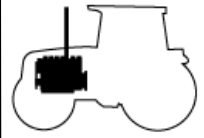
T543/T603

STARTING MOTOR GROUP-
ELECTRIC

P1

Year / Month

2007 / 02



NOTE

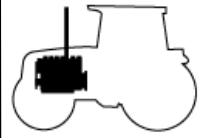
FIG 131

LIFTING GROUP-ENGINE

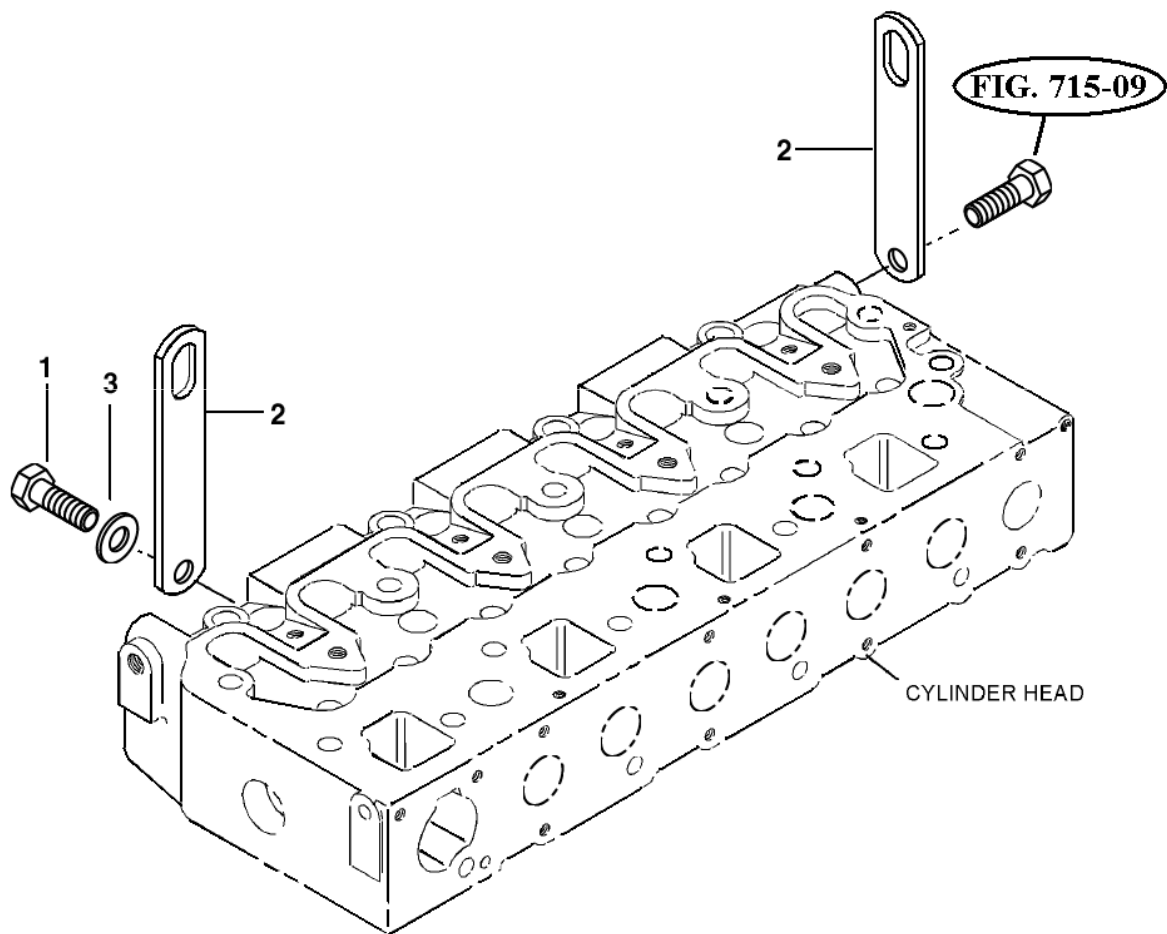
P1

Year / Month

2007 / 02



T543/T603



NOTE

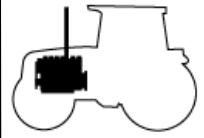
FIG 132

FILTER & LINES GROUP-FUEL

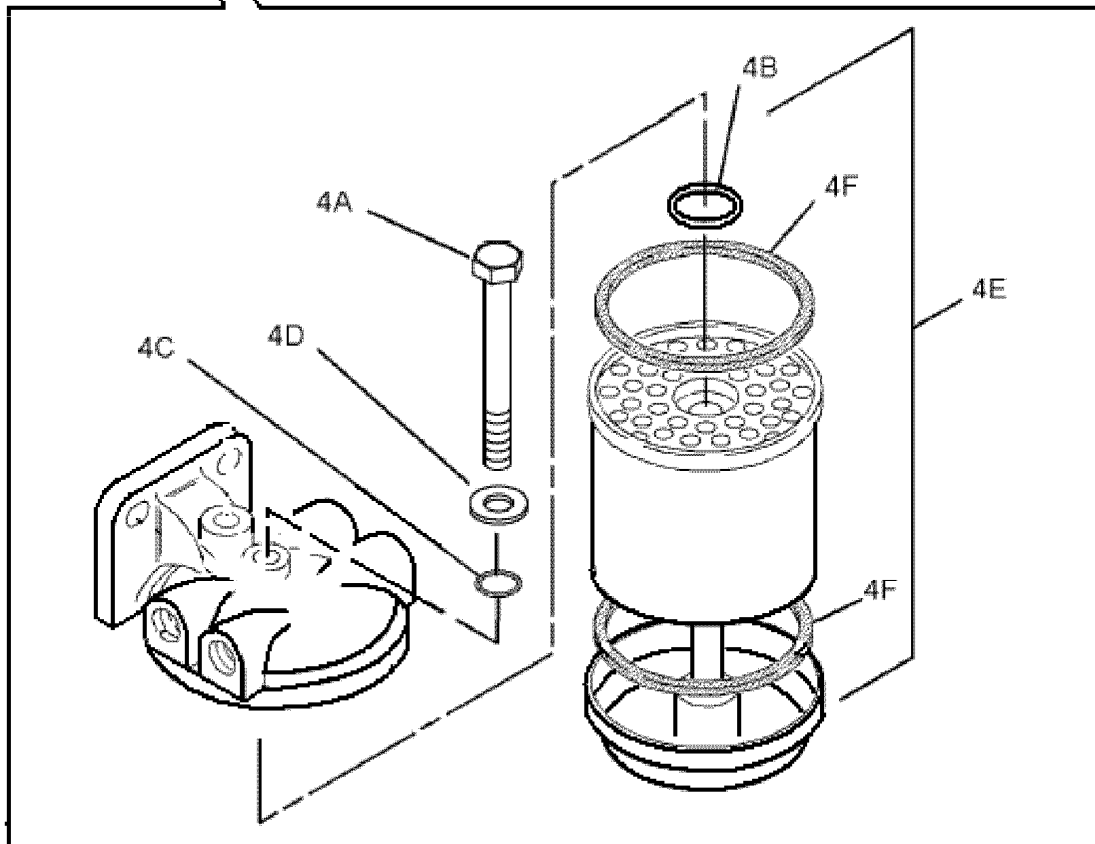
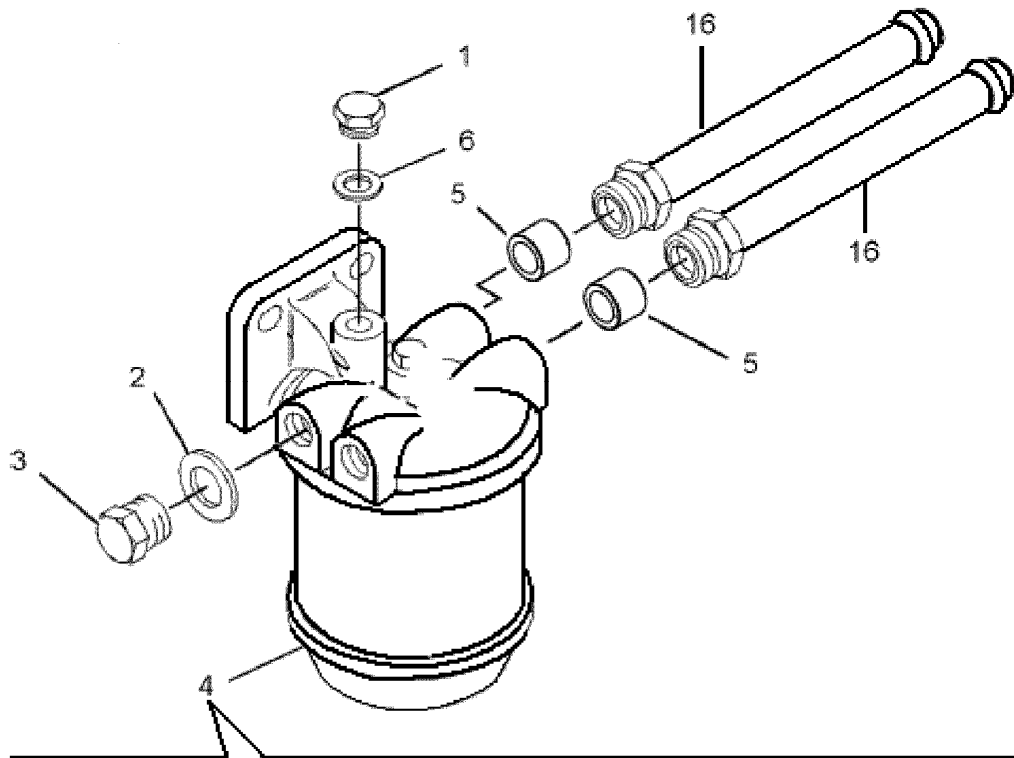
P1

Year / Month

2007 / 02



T543/T603



NOTE

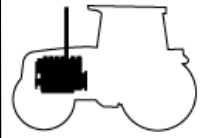
FIG 133

GLOW PLUG GROUP

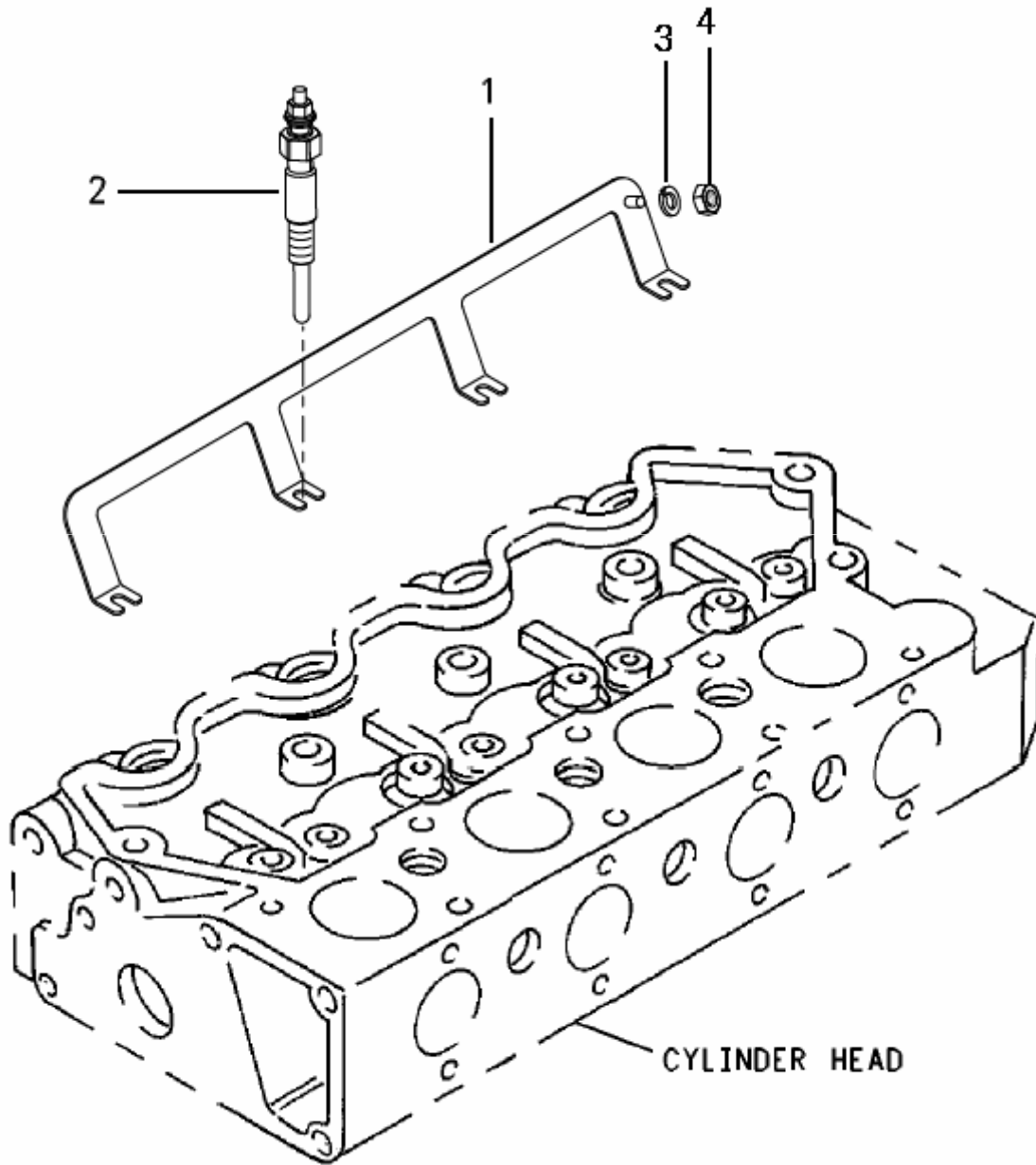
P1

Year / Month

2007 / 02



T543/T603



NOTE

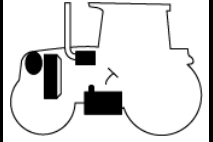
FIG 201

AIR CLEANER

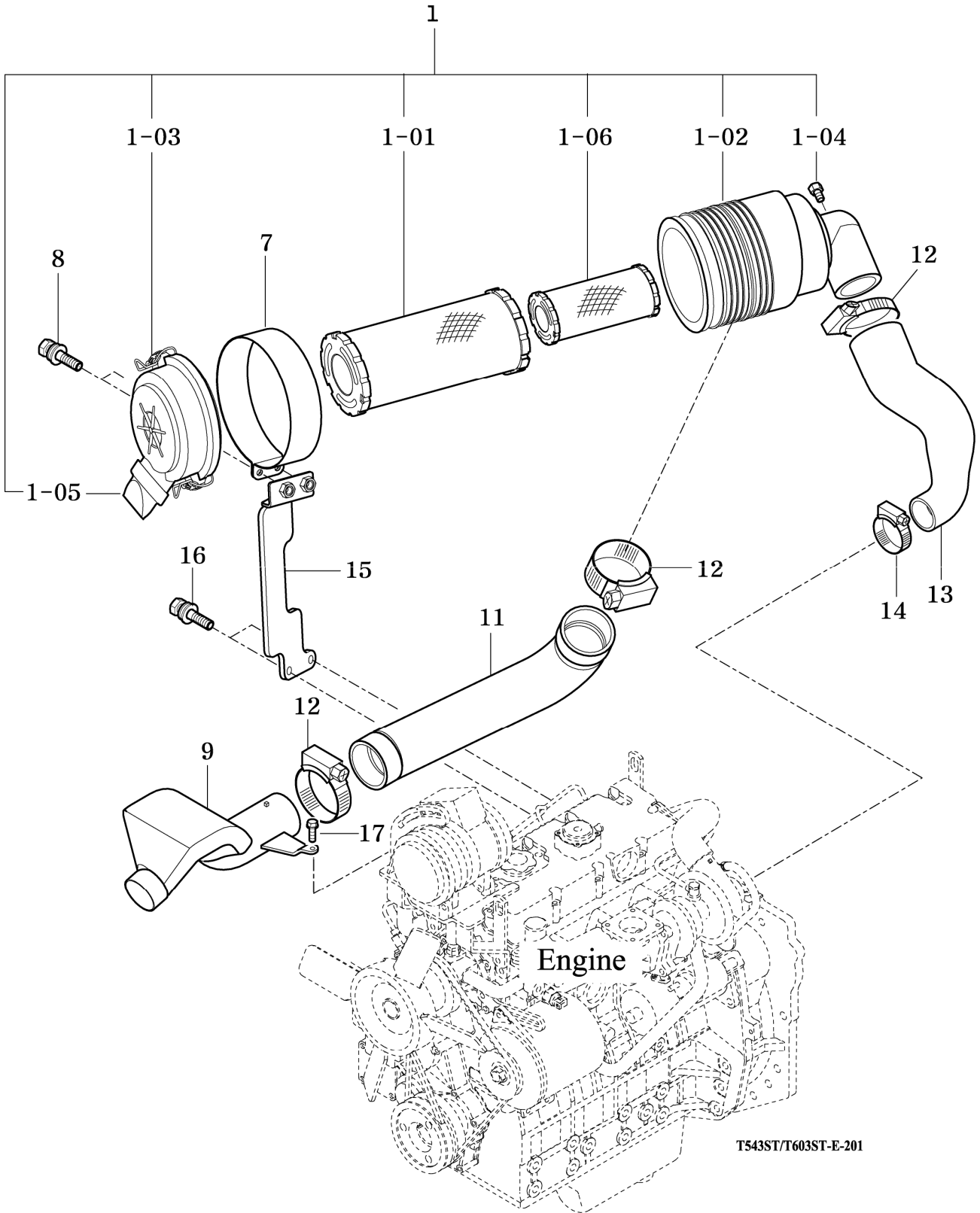
P1

Year / Month

2007 / 07



T543/T603



T543ST/T603ST-E-201

NOTE

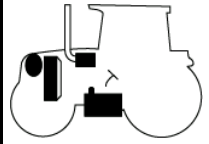
FIG 202

RADIATOR

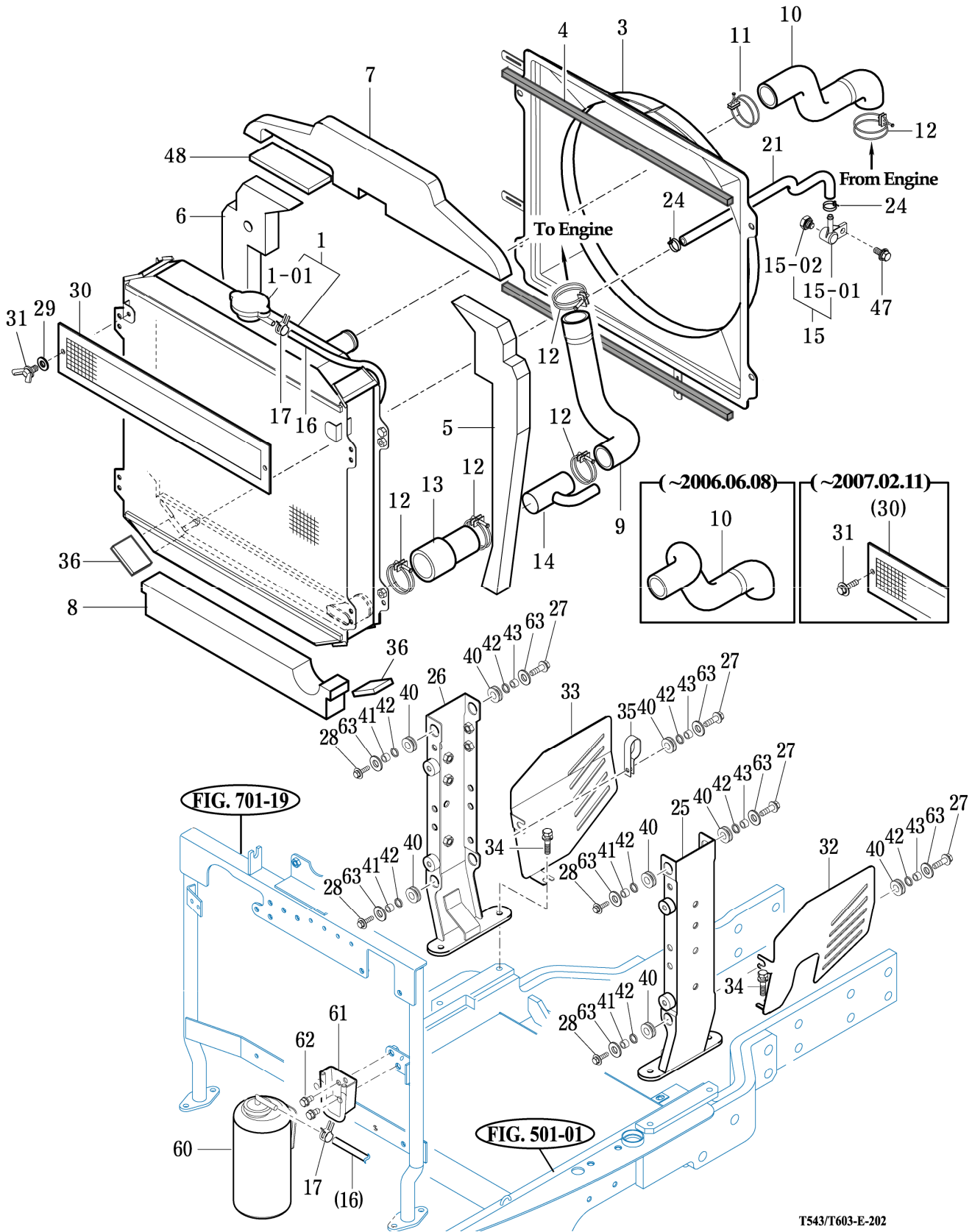
P1

Year / Month

2007 / 07



T543/T603



T543/T603-E-202

NOTE

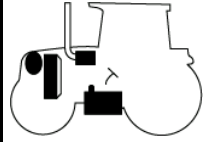
FIG 203

MUFFLER

P1

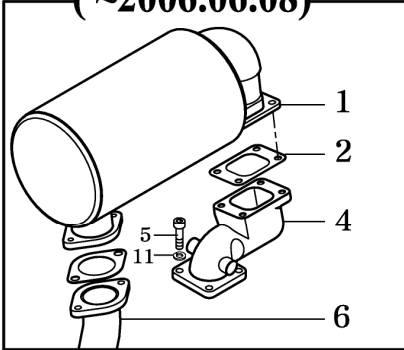
Year / Month

2007 / 07



T543/T603

(~2006.06.08)



(~2006.08.15)

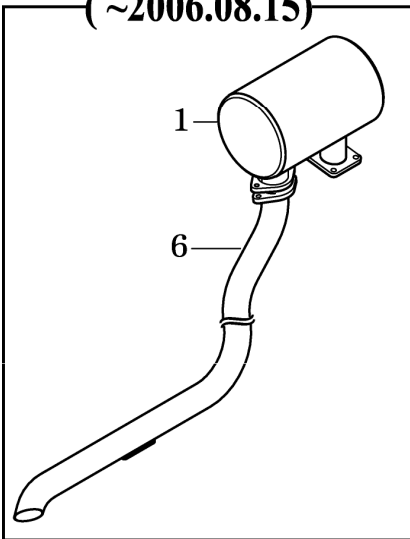
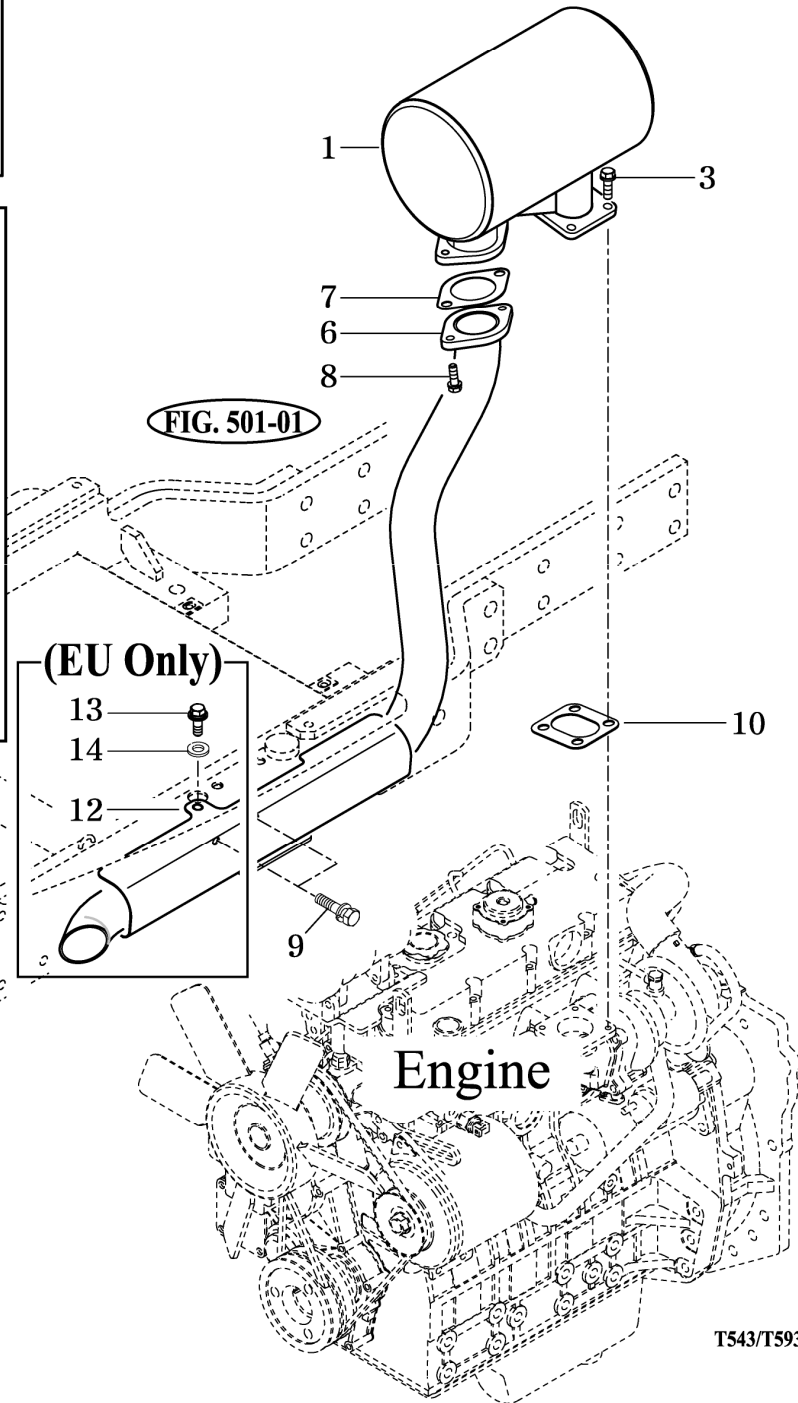


FIG. 501-01

(EU Only)

- 13 — Bolt
- 14 — Washer
- 12 — Nut



T543/T593-E-203A

NOTE

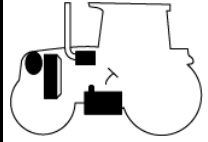
FIG 204A

FUEL HOSE & FILTER-ST Only

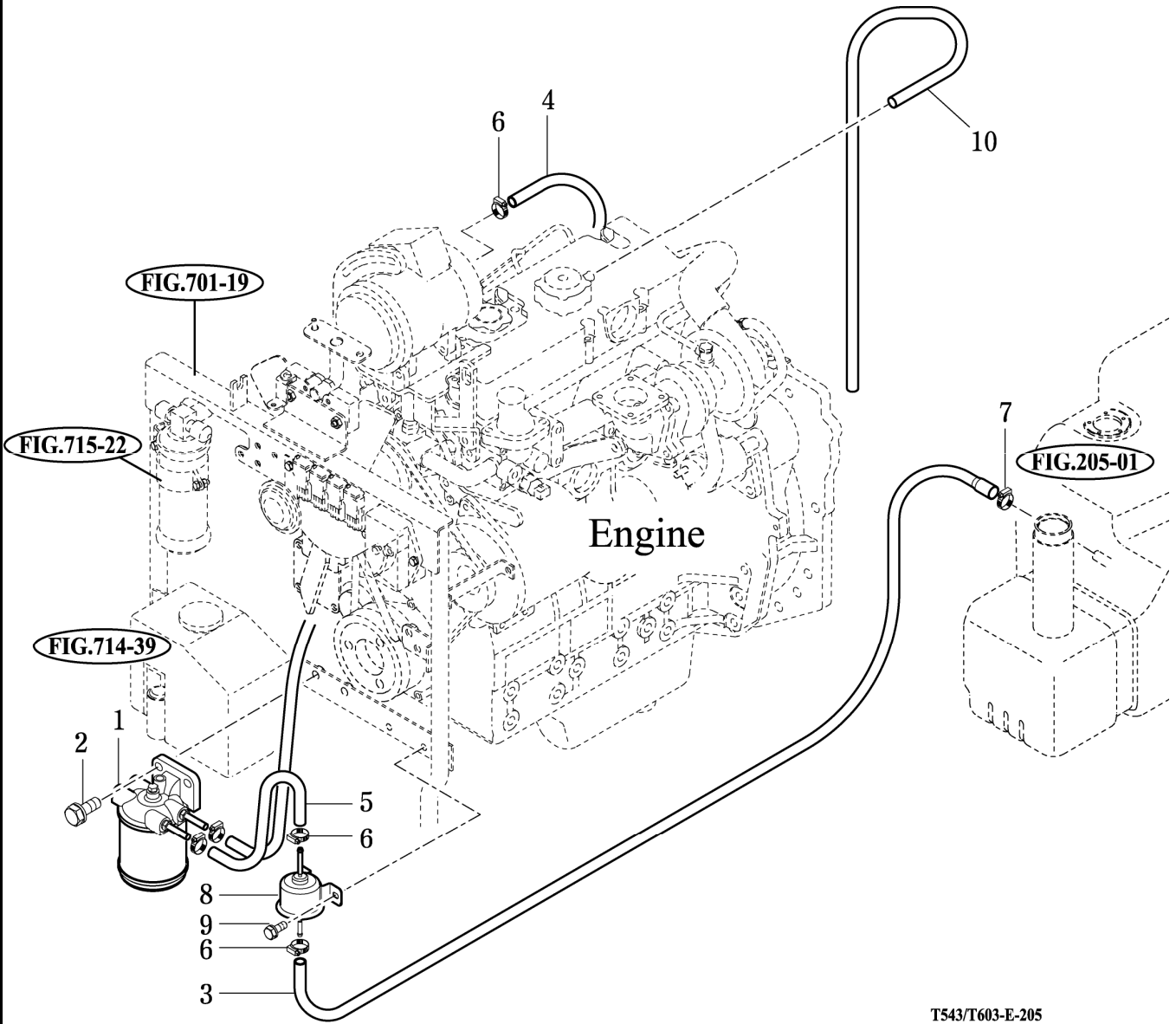
P1

Year / Month

2007 / 07



T543/T603



T543/T603-E-205

NOTE

* ST : a Standard type (T543/T603ST)

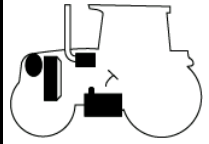
FIG 204B

FUEL HOSE & FILTER-SP Only

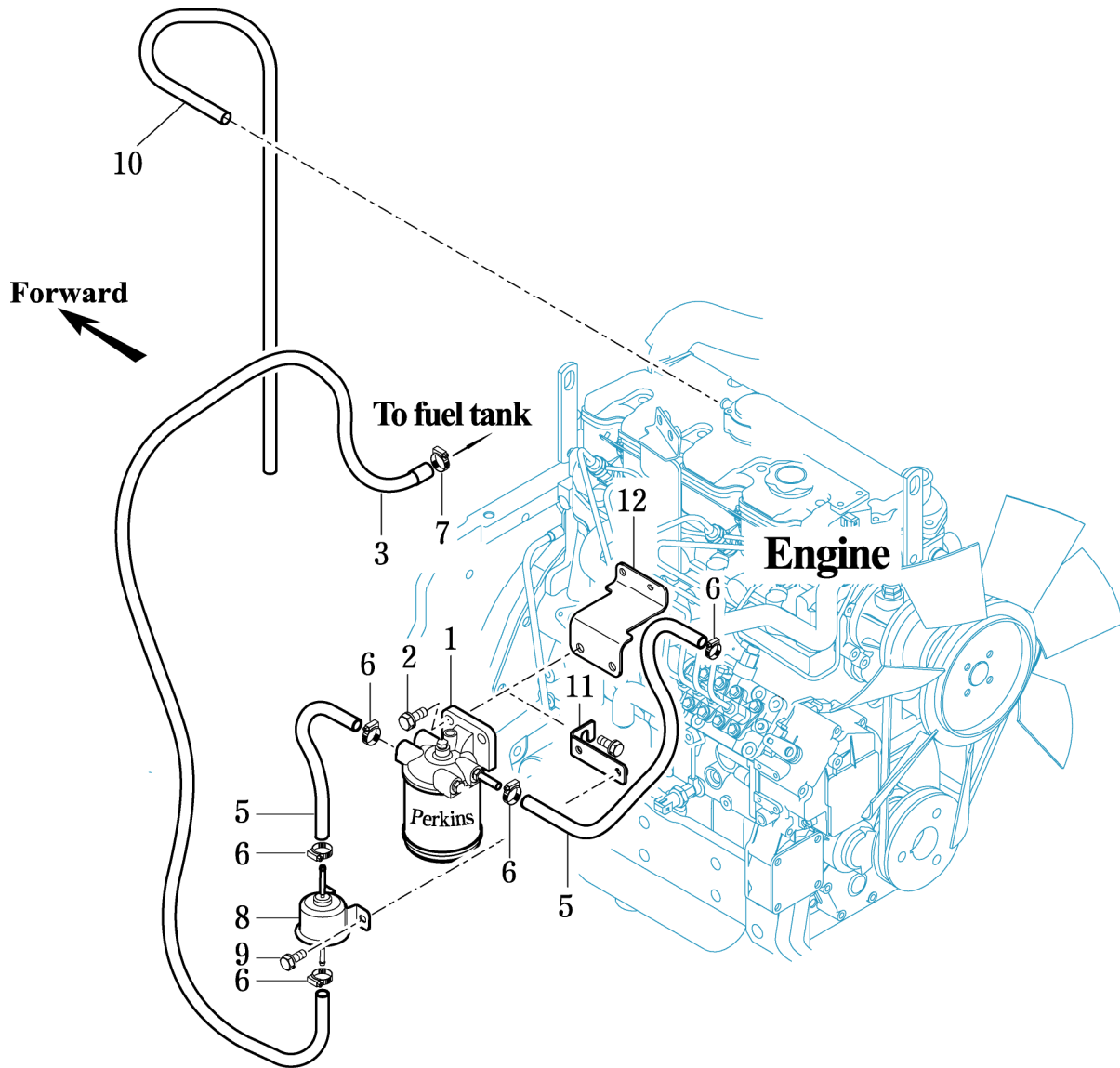
P1

Year / Month

2007 / 07



T543/T603



T543/603-E-204B

NOTE

* SP : Power shuttle mounting (T603SP)

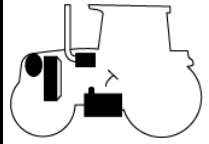
FIG 205

FUEL TANK

P1

Year / Month

2007 / 07



T543/T603

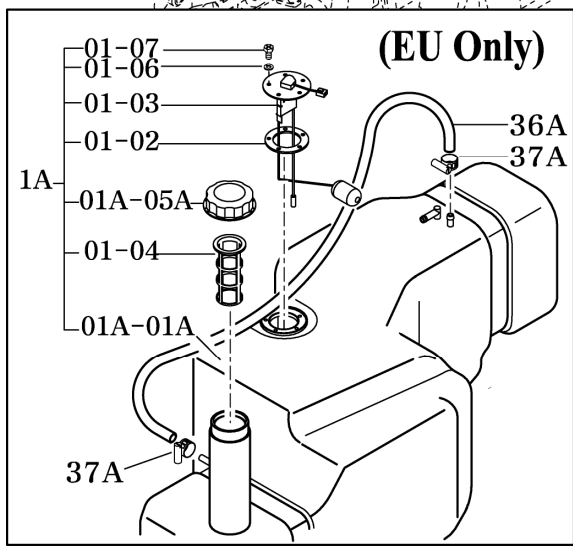
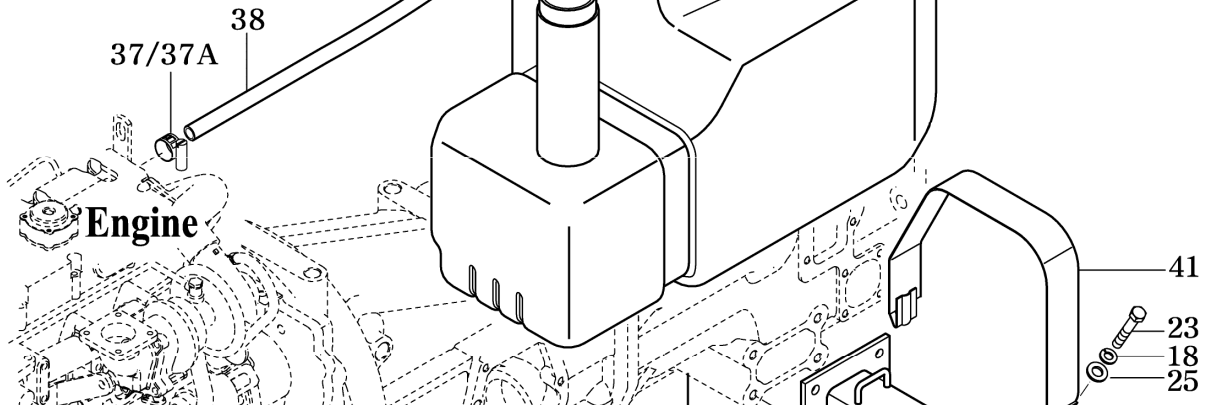
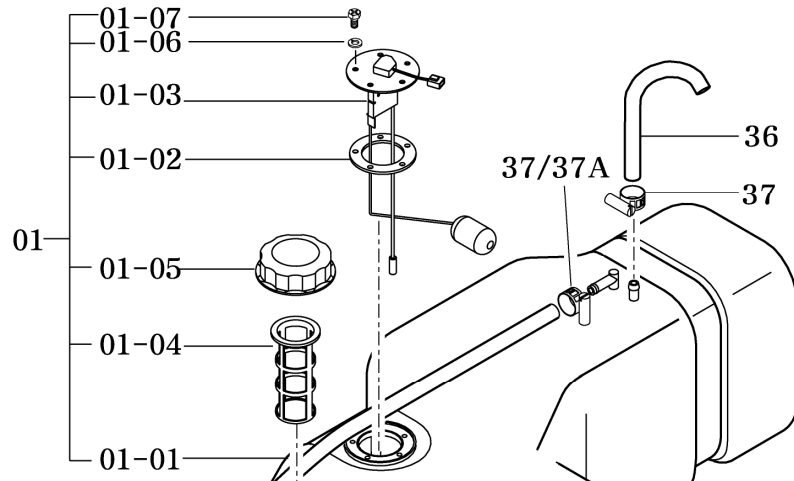
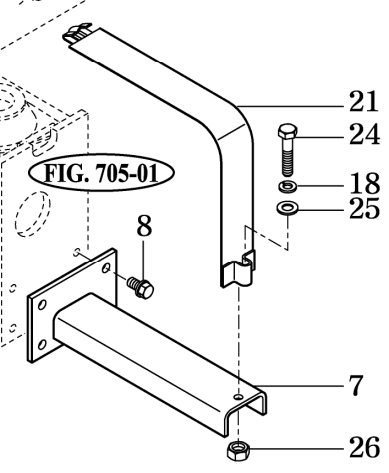


FIG. 408-01

FIG. 705-01



T543/T603-E-205A

NOTE

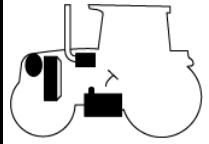
FIG 206

ACCELERATOR

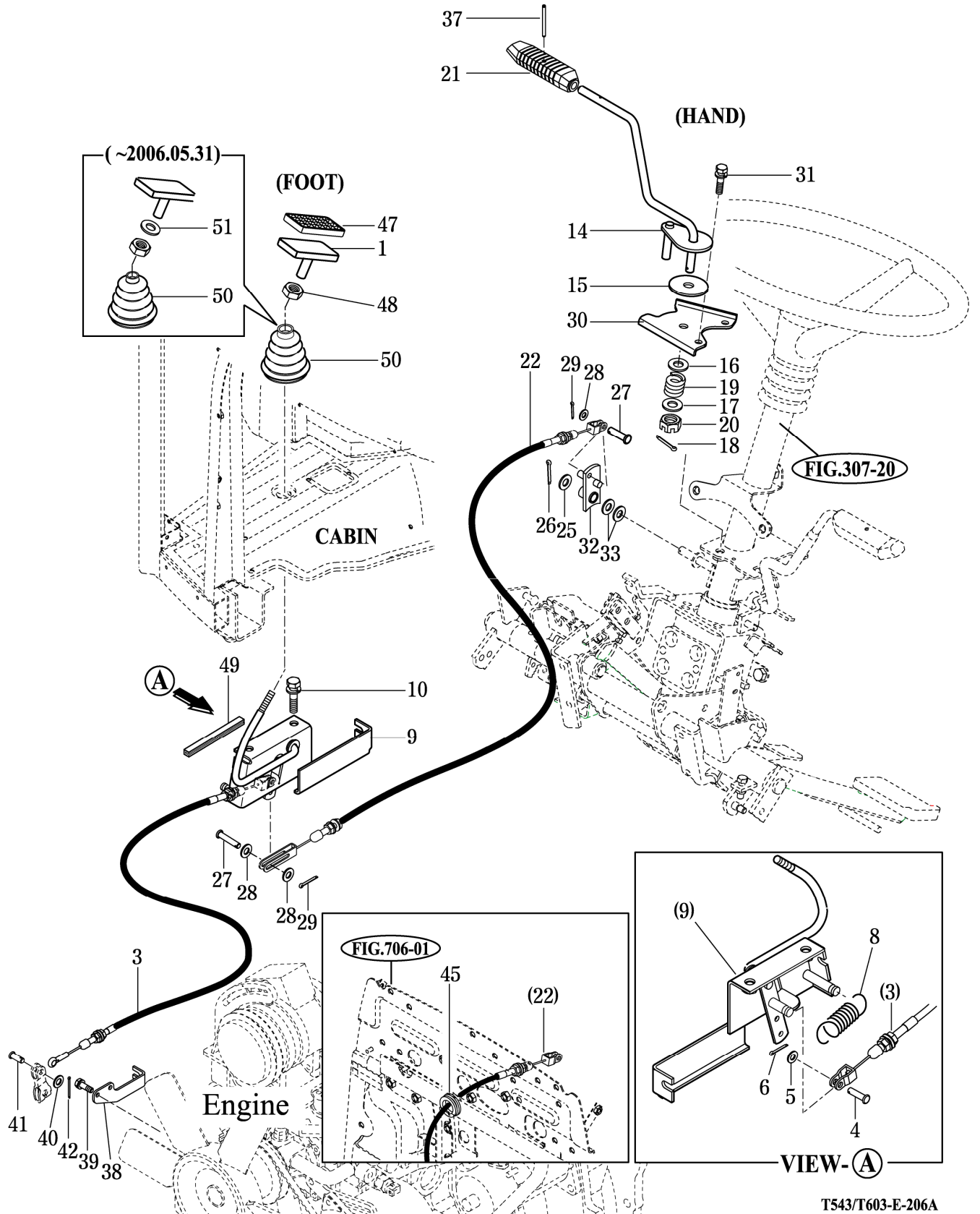
P1

Year / Month

2007 / 07



T543/T603



T543/T603-E-206A

NOTE

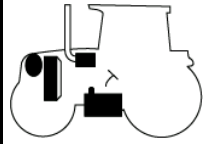
FIG 207

OIL COOLER-SP Only

P1

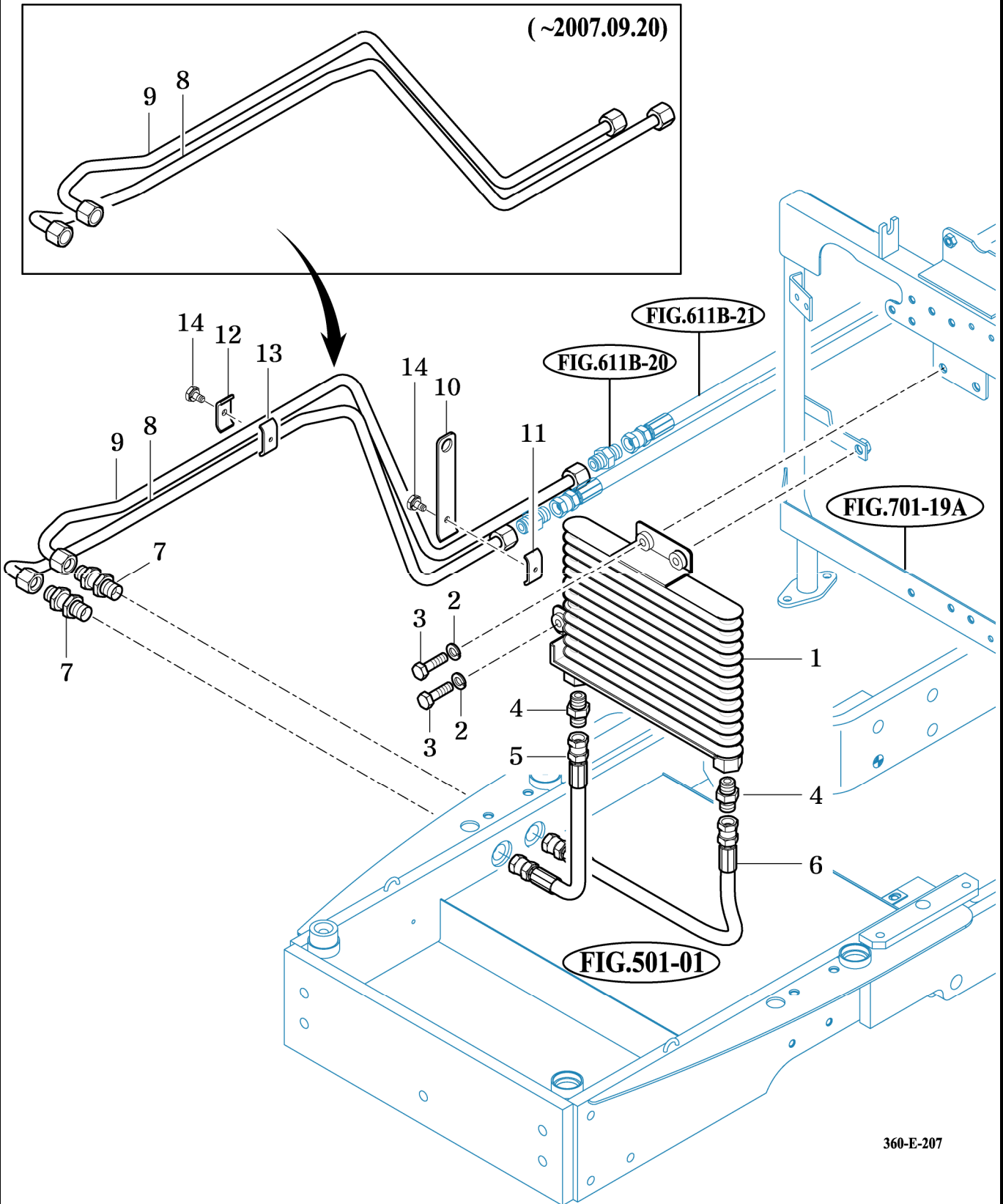
Year / Month

2007 / 07



T543/T603

(~2007.09.20)



360-E-207

NOTE

* SP : Power shuttle mounting (T603SP)

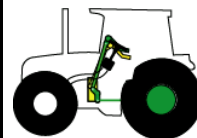
FIG 301A

CLUTCH-ST Only

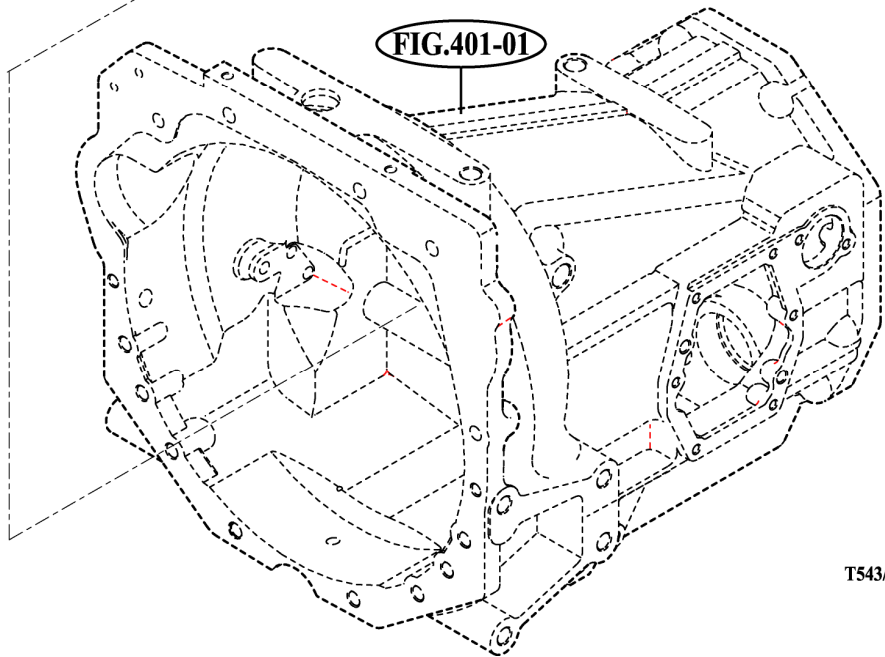
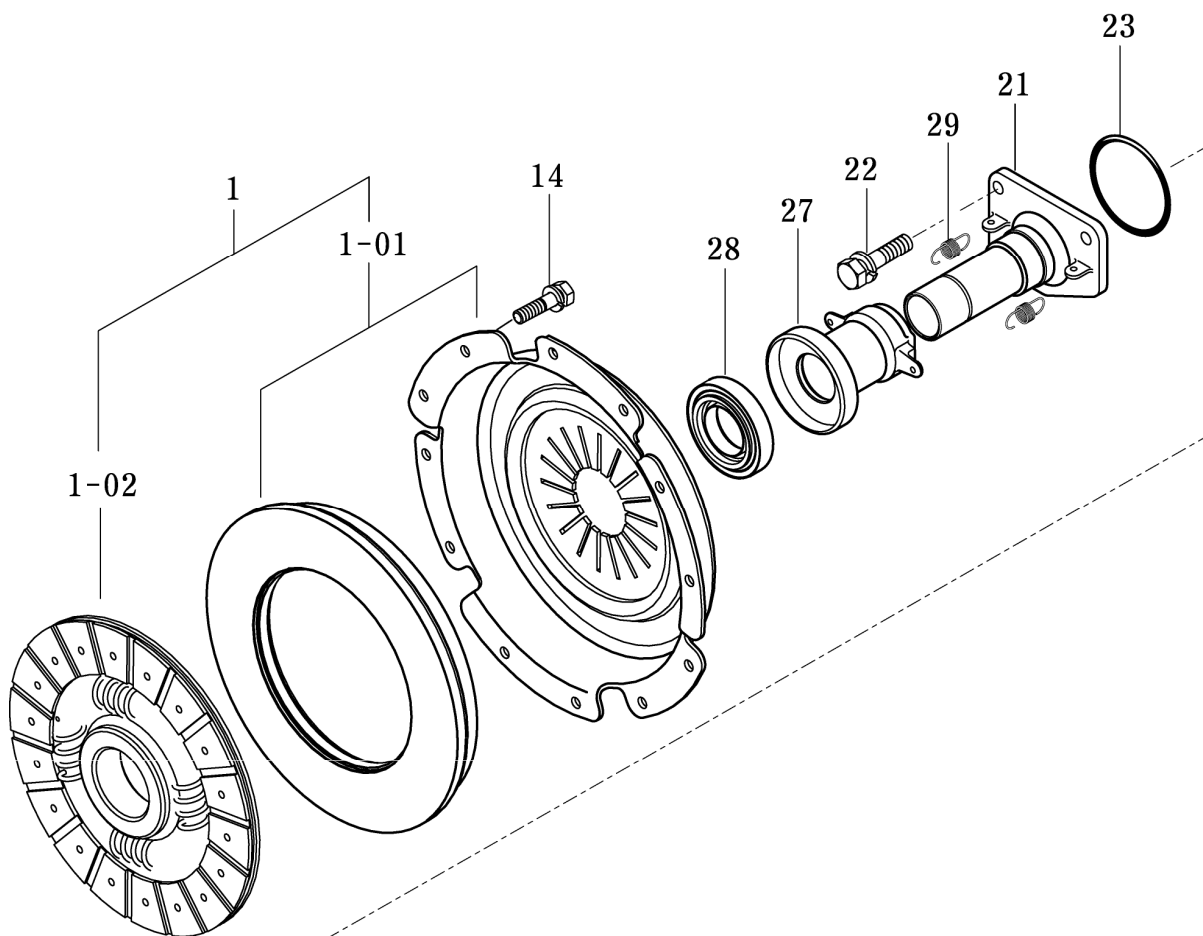
P1

Year / Month

2007 / 07



T543/T603



T543/T603-E-301A

NOTE

* ST : a Standard type (T543ST/T603ST)

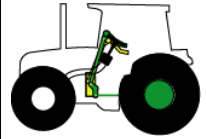
FIG 301B

CLUTCH-SP Only

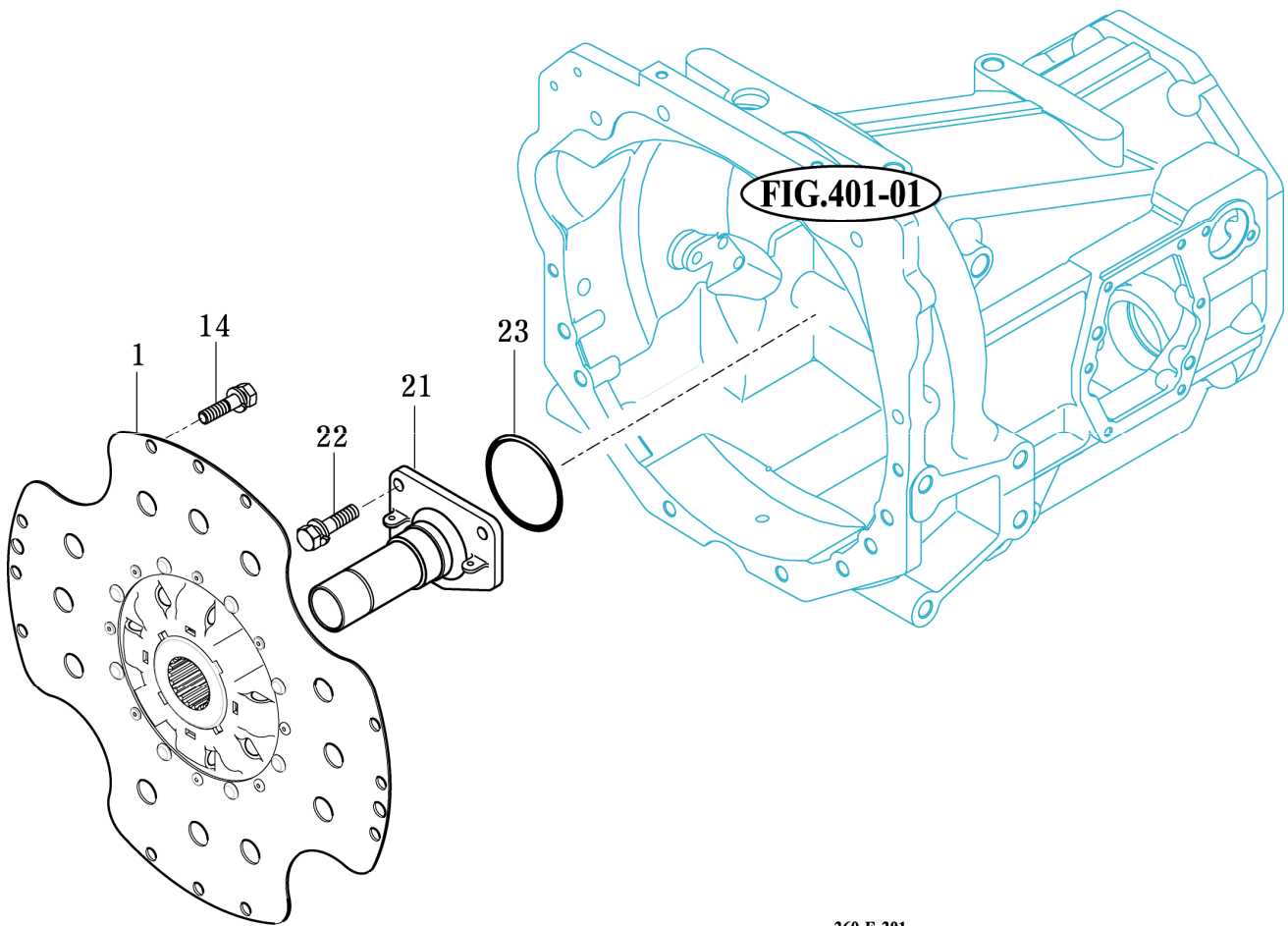
P1

Year / Month

2007 / 07



T543/T603



360-E-301

NOTE

* SP : Power shuttle mounting (T603SP)

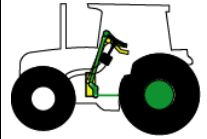
FIG 302A

CLUTCH PEDAL

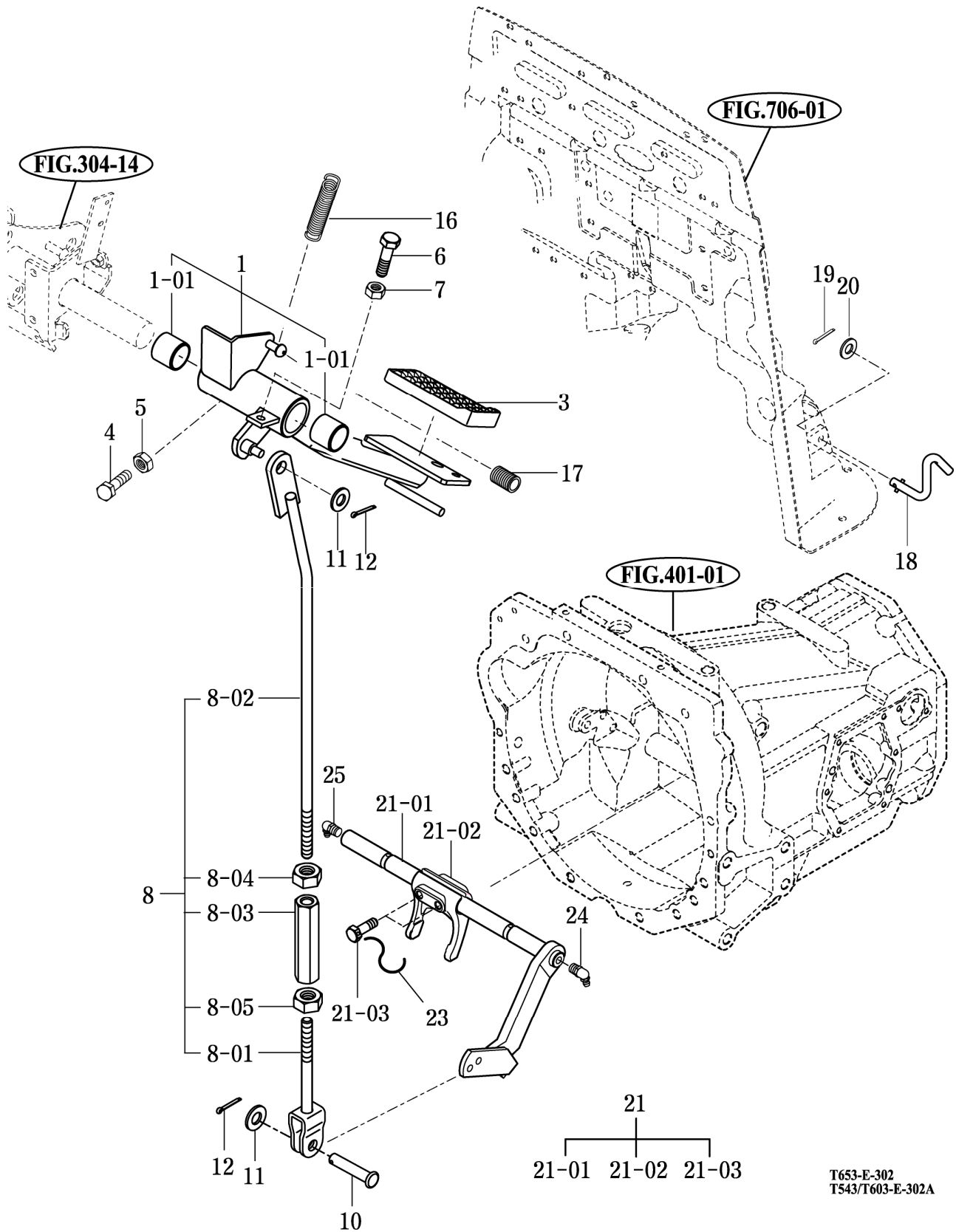
P1

Year / Month

2007 / 07



T543/T603



NOTE

* ST : a Standard type (T543ST/T603ST)

T653-E-302
T543/T603-E-302A

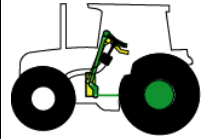
FIG 302B

CLUTCH PEDAL-SP Only

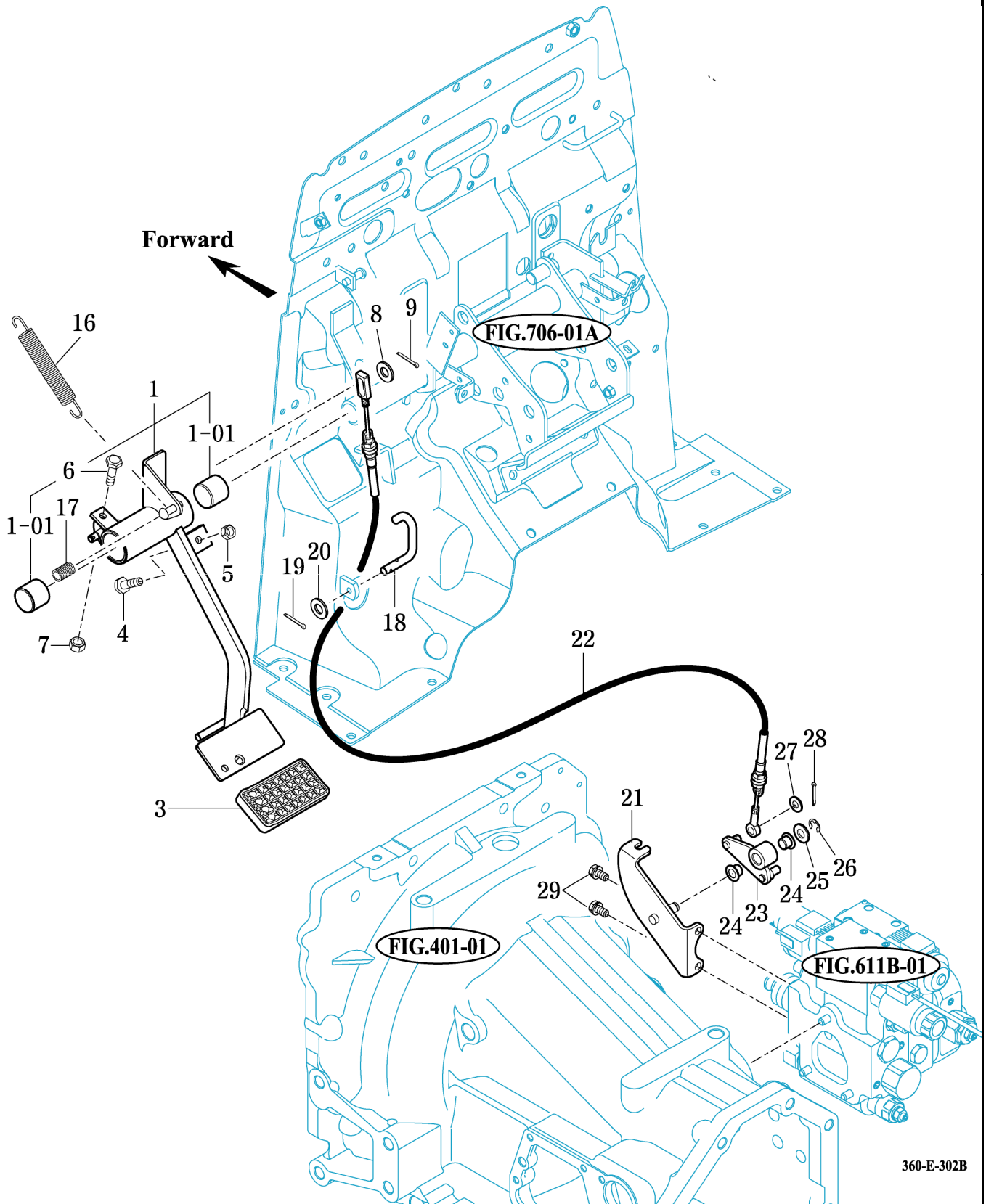
P1

Year / Month

2007 / 07



T543/T603



360-E-302B

NOTE

* SP : Power shuttle mounting (T603SP)

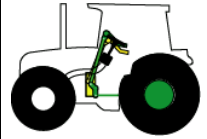
FIG 303

BRAKE

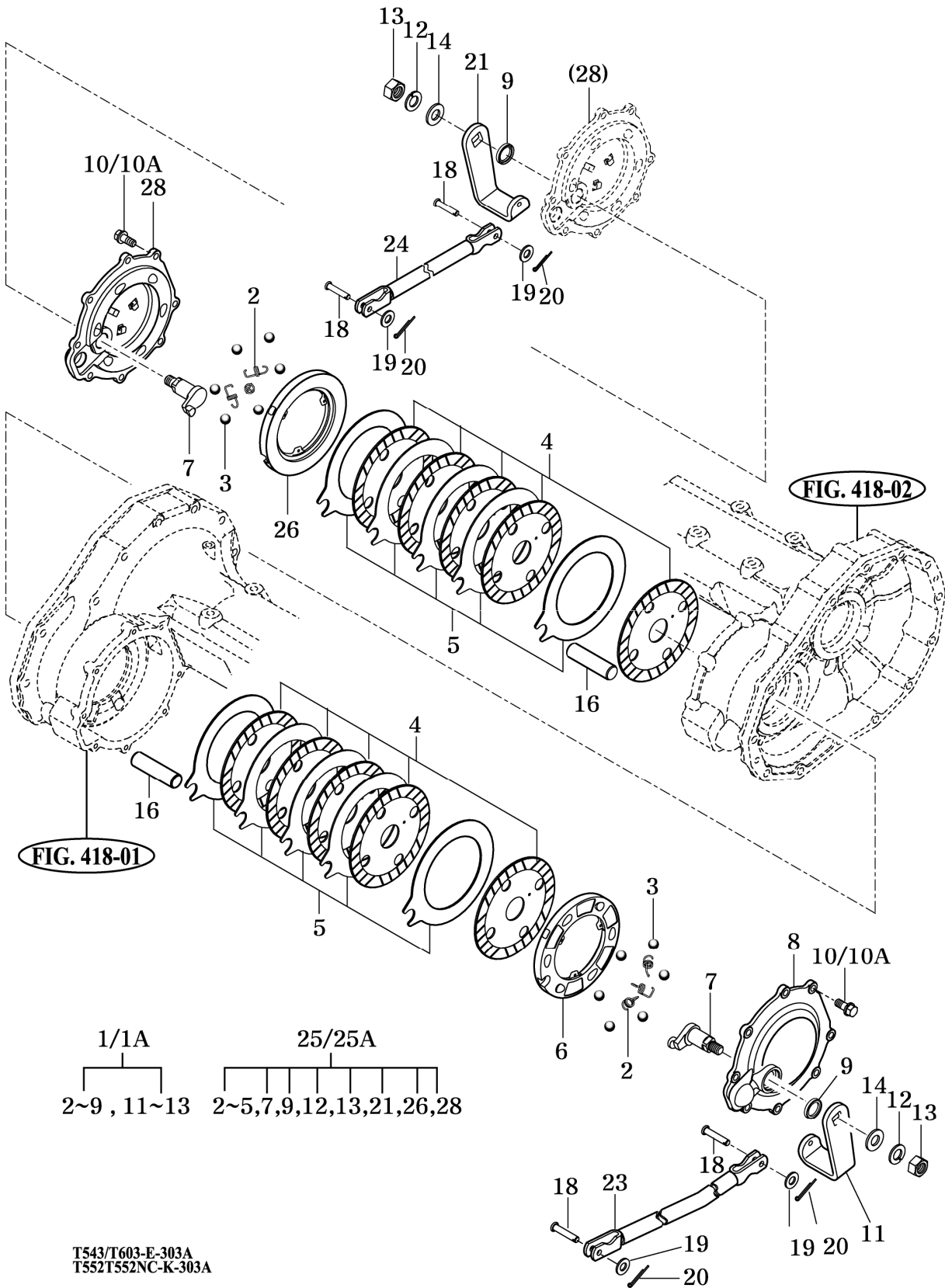
Year / Month

P1

2007 / 07



T543/T603



T543/T603-E-303A
T552T552NC-K-303A

NOTE

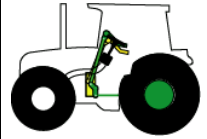
FIG 304

BRAKE PEDAL & LINKAGE

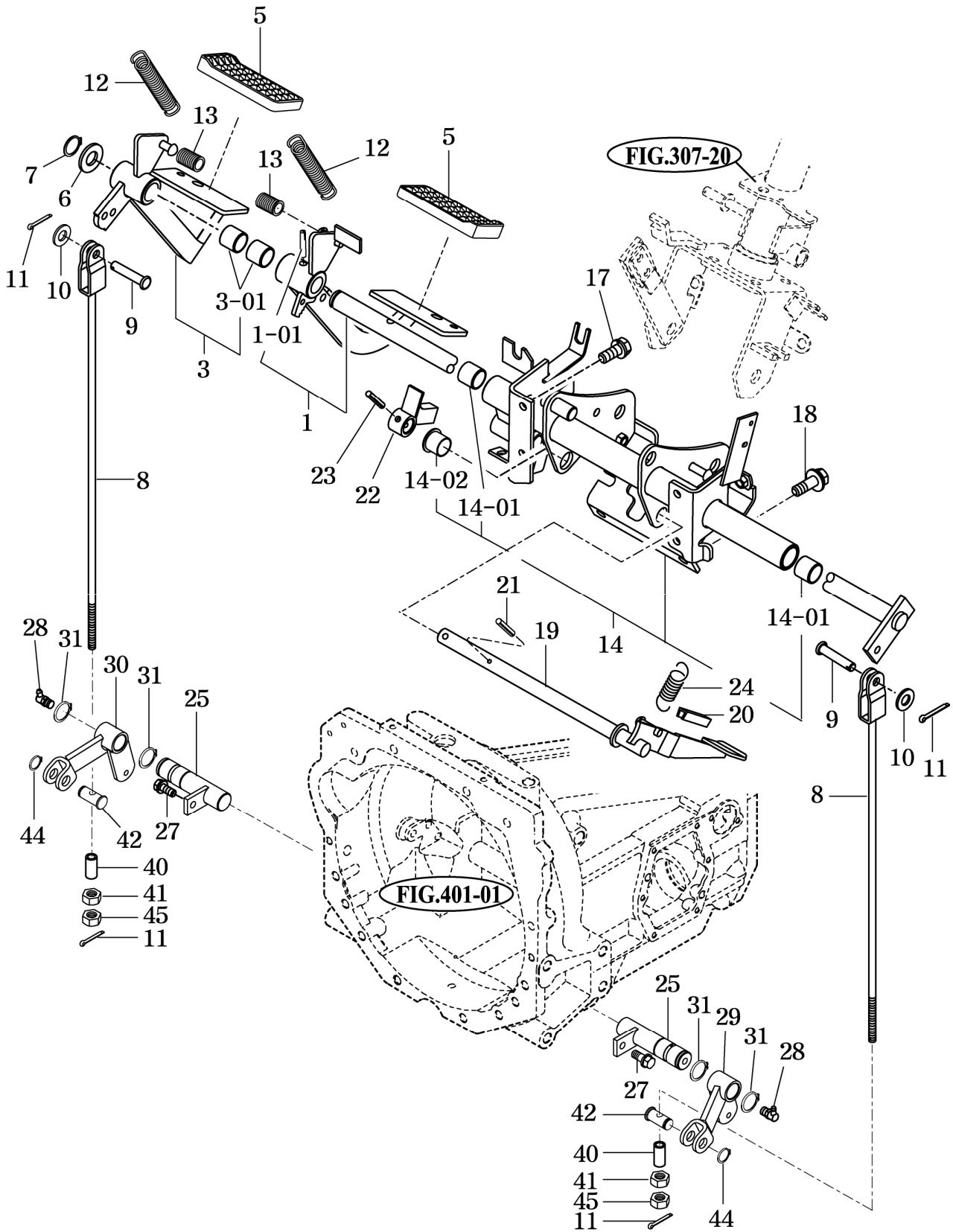
P1

Year / Month

2007 / 07



T543/T603



T543/T603-E-304

NOTE

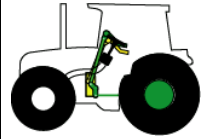
FIG 305A

FRONT WHEEL

P1

Year / Month

2007 / 07



T543/T603

T543 Only

FIG. 507-01

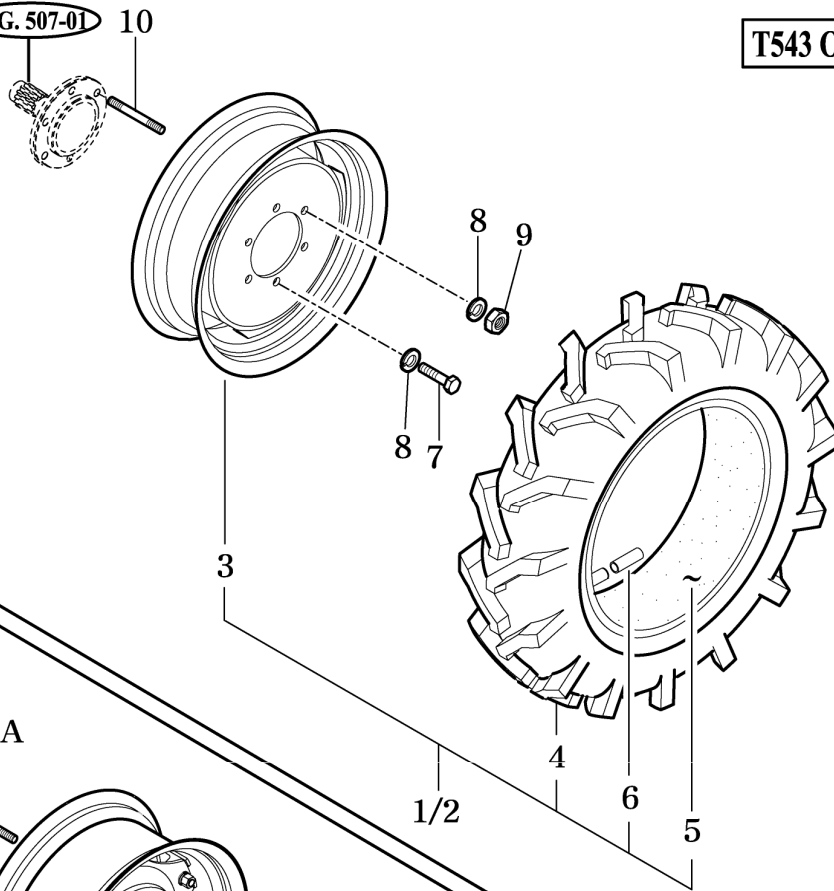
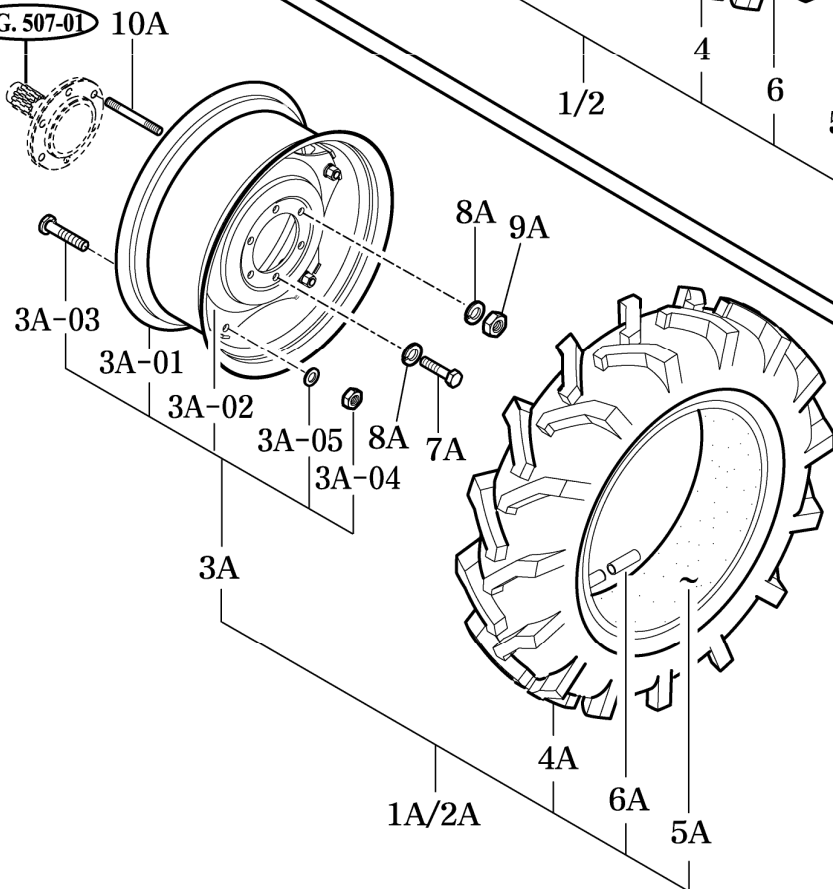


FIG. 507-01



T603 Only

T543/T603-E-305A

NOTE

FIG 305B

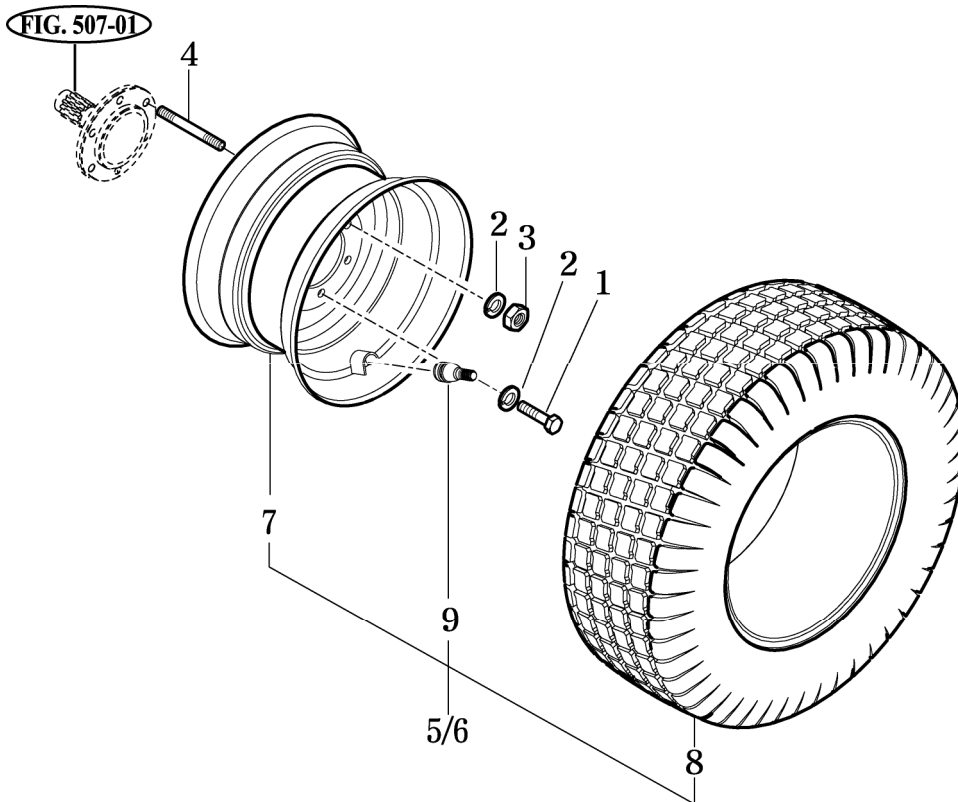
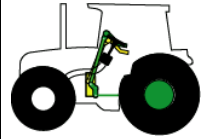
T543/T603

FRONT WHEEL-R3(OPTION)

P1

Year / Month

2007 / 07



T543/T603-E-305A

NOTE

FIG 305C

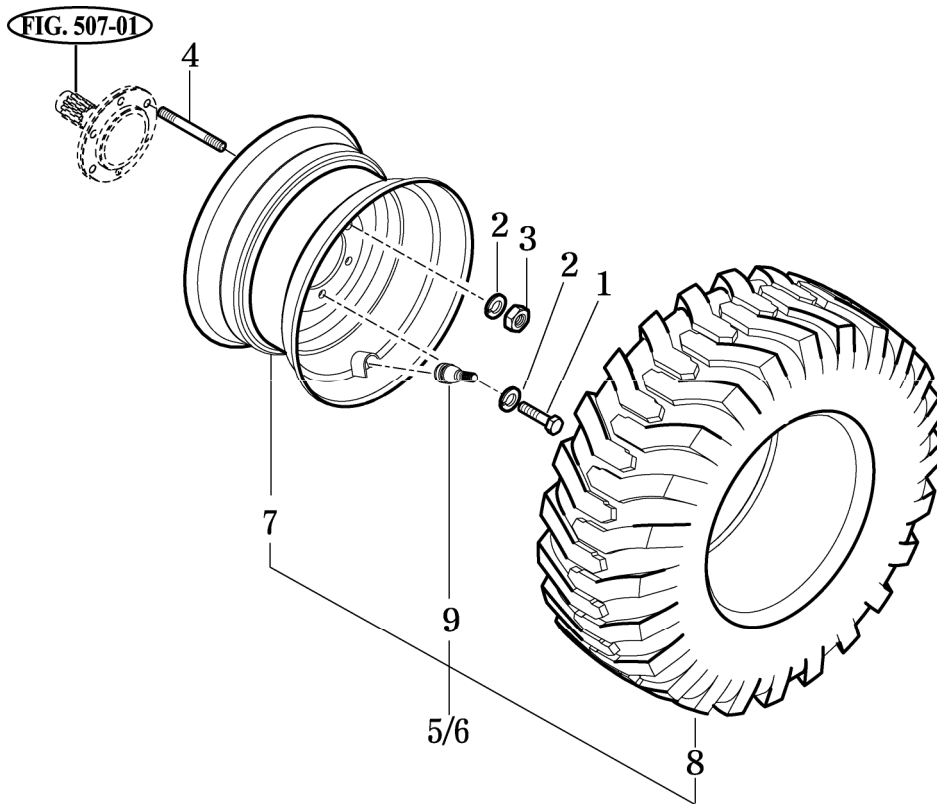
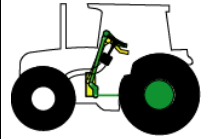
T543/T603

FRONT WHEEL-R4(OPTION)

P1

Year / Month

2007 / 07



T543/T603-E-305B

NOTE

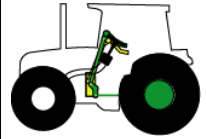
FIG 306A

REAR WHEEL

P1

Year / Month

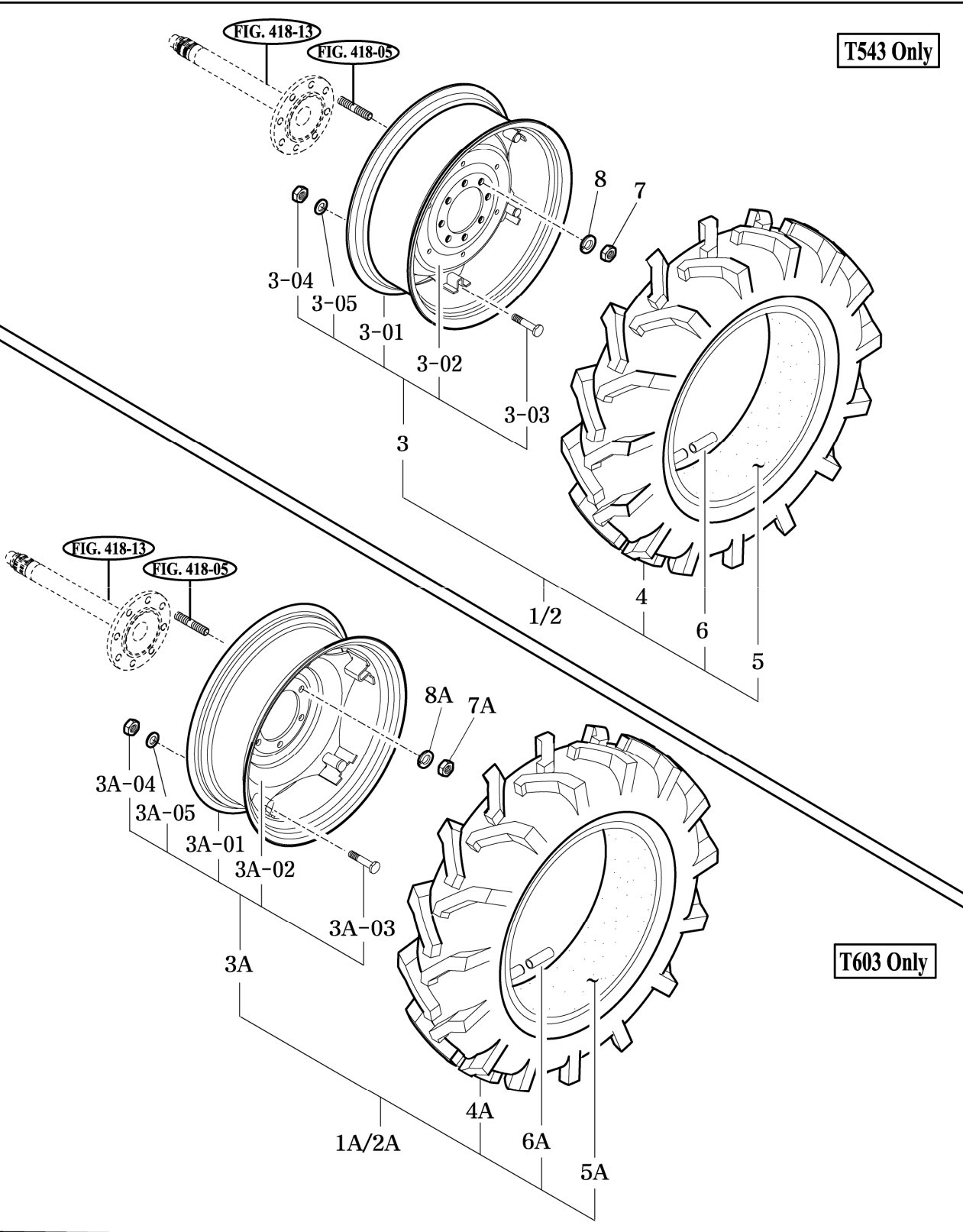
2007 / 07



T543/T603

T543 Only

T603 Only



T543/T603-E-306A

NOTE

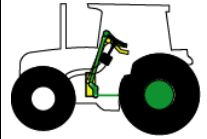
FIG 306B

REAR WHEEL-R3(OPTION)

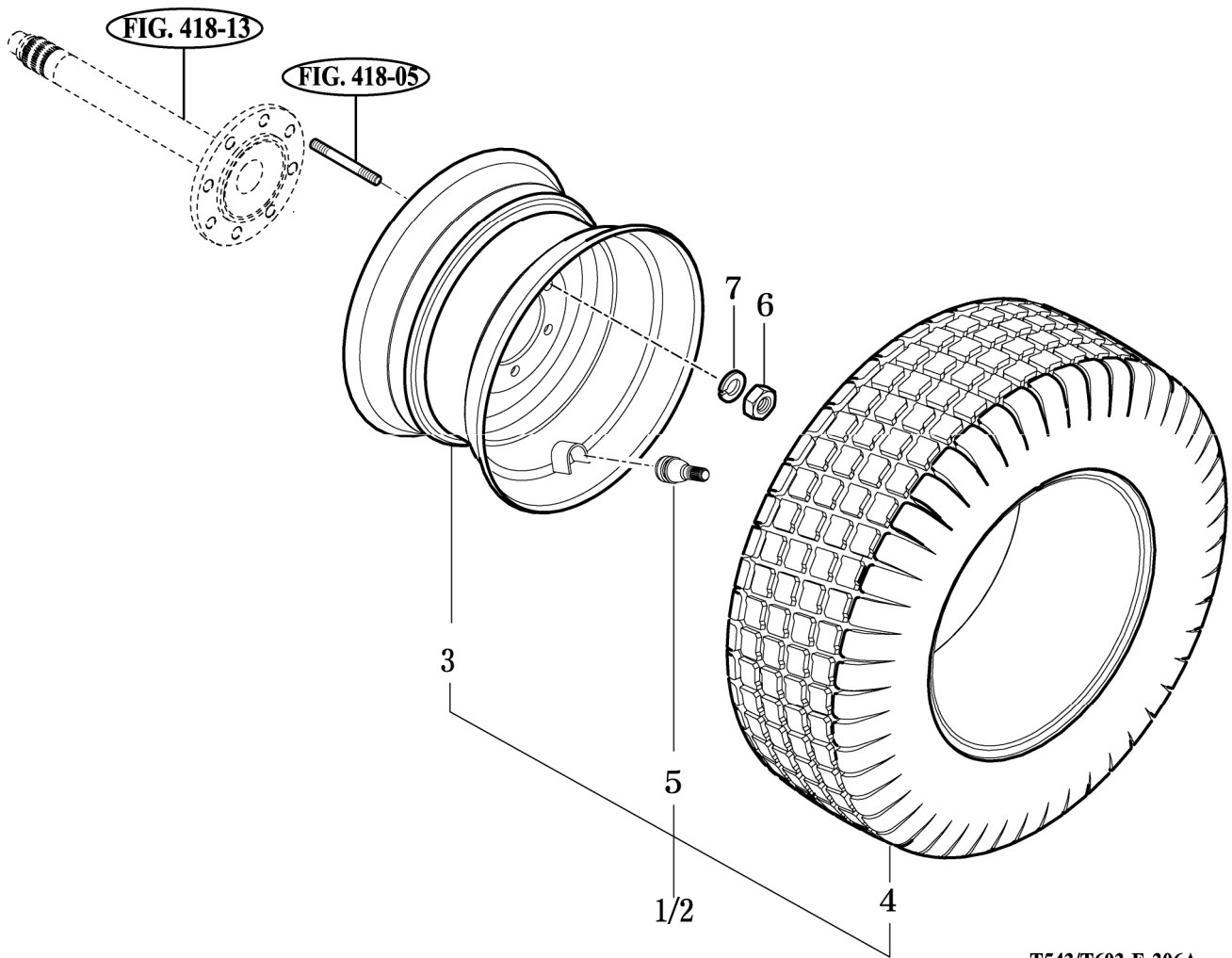
P1

Year / Month

2007 / 07



T543/T603



T543/T603-E-306A

NOTE

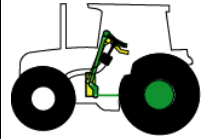
FIG 306C

REAR WHEEL-R4(OPTION)

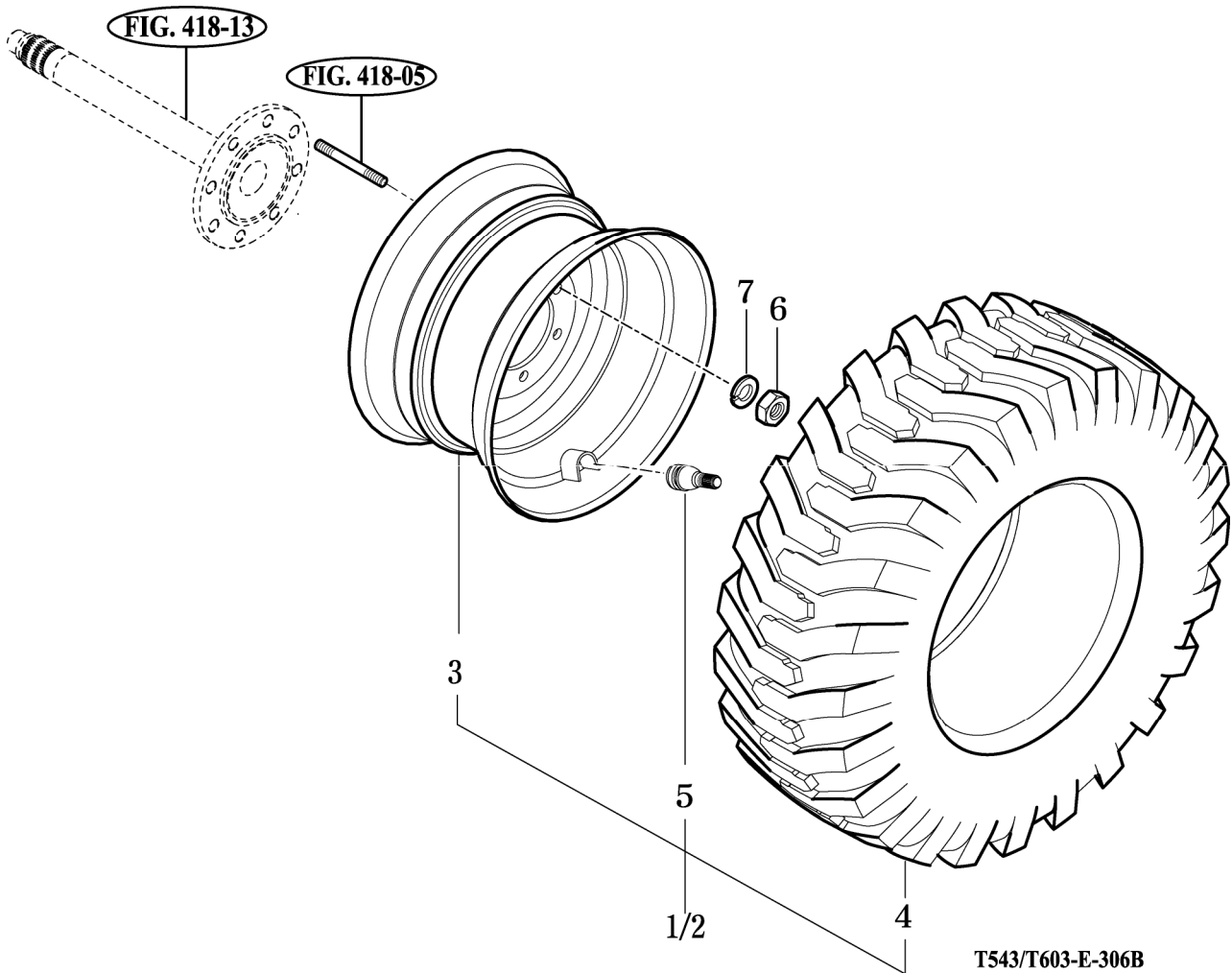
P1

Year / Month

2007 / 07



T543/T603



T543/T603-E-306B

NOTE

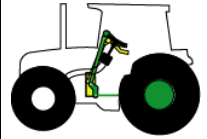
FIG 307

POWER STEERING WHEEL

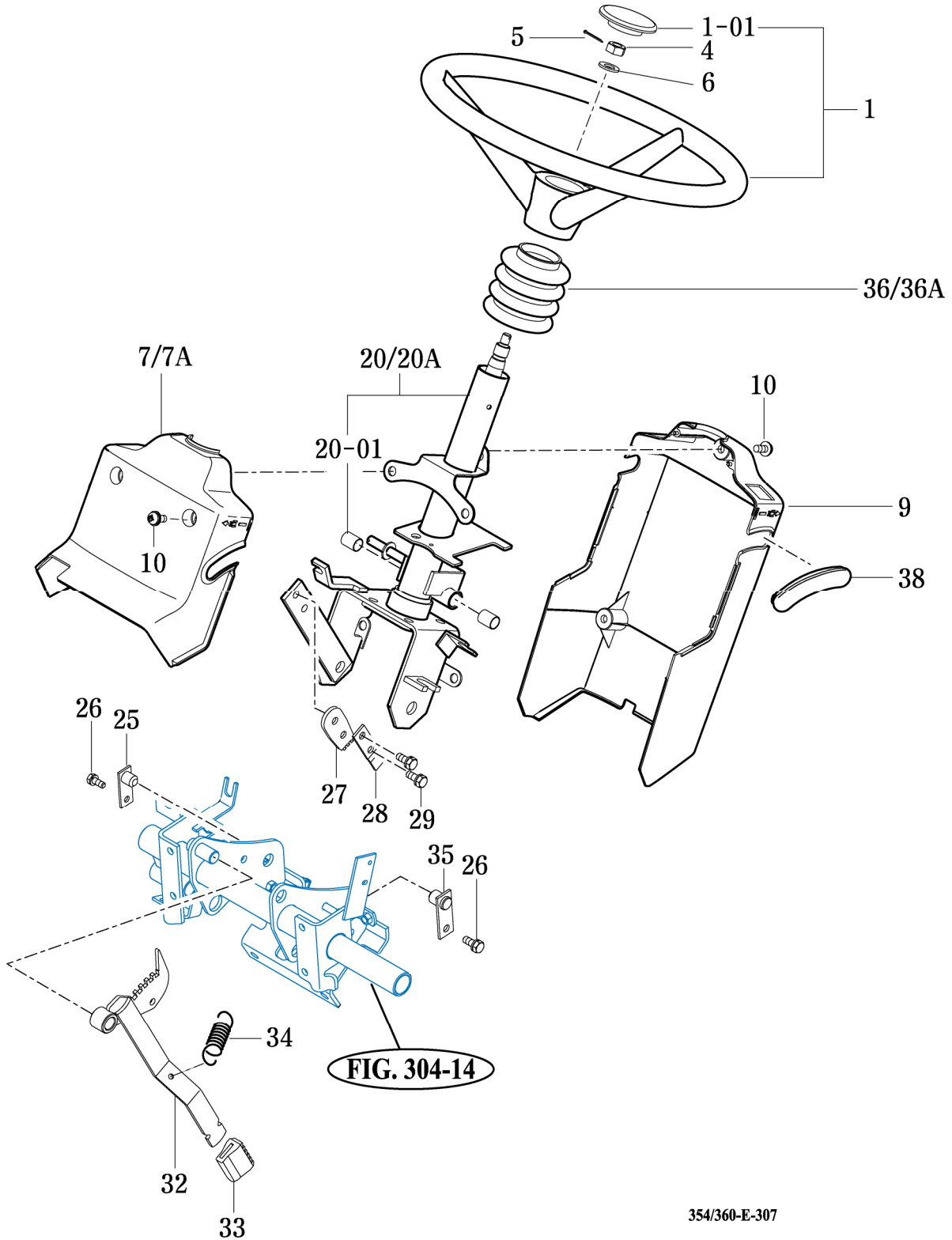
P1

Year / Month

2007 / 07



T543/T603



354/360-E-307

NOTE

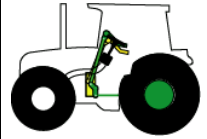
FIG 309

POWER STEERING CYLINDER

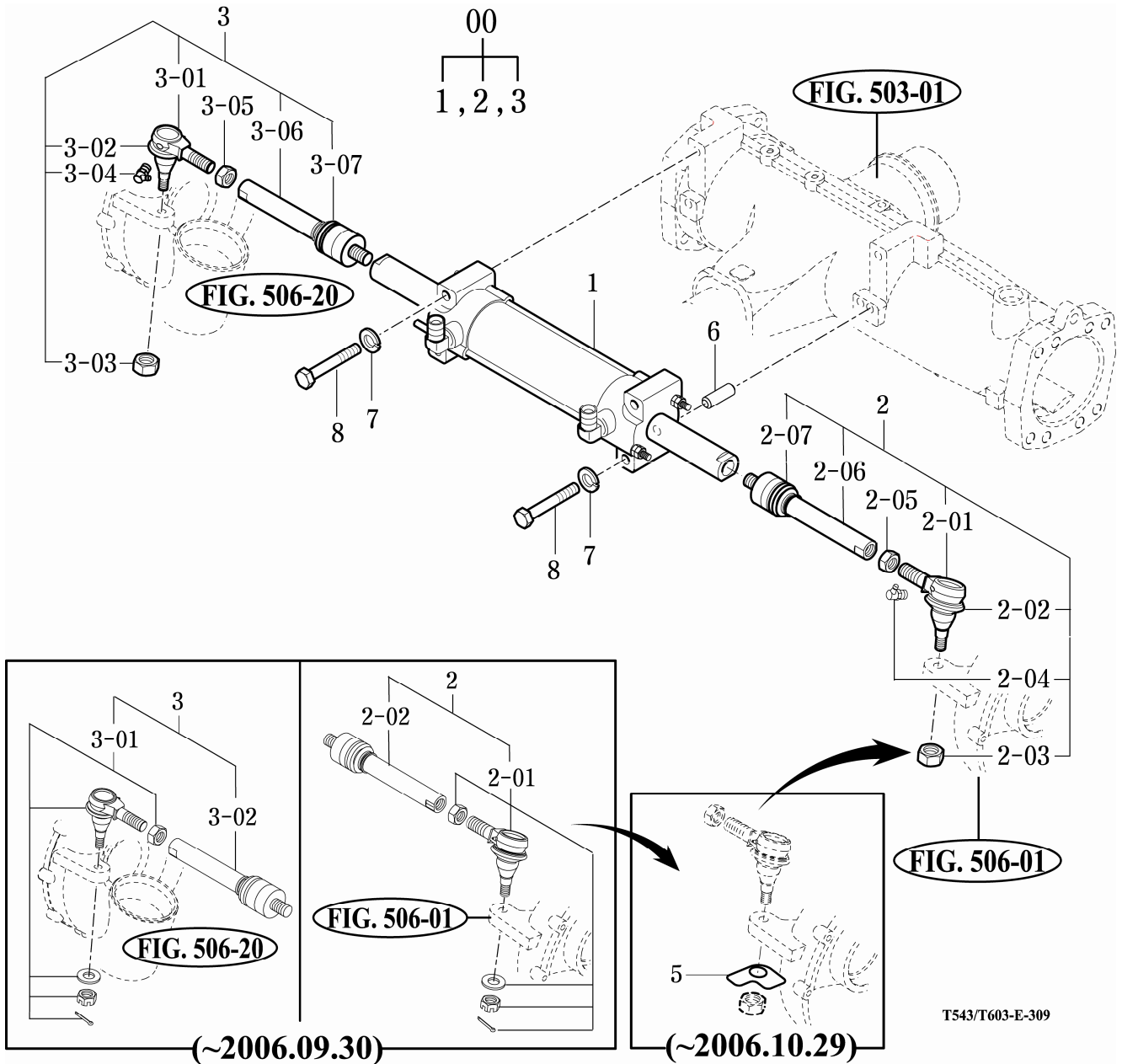
P1

Year / Month

2007 / 07



T543/T603



T543/T603-E-309

NOTE

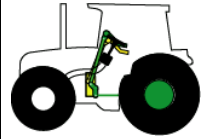
FIG 308

POWER STEERING VALVE

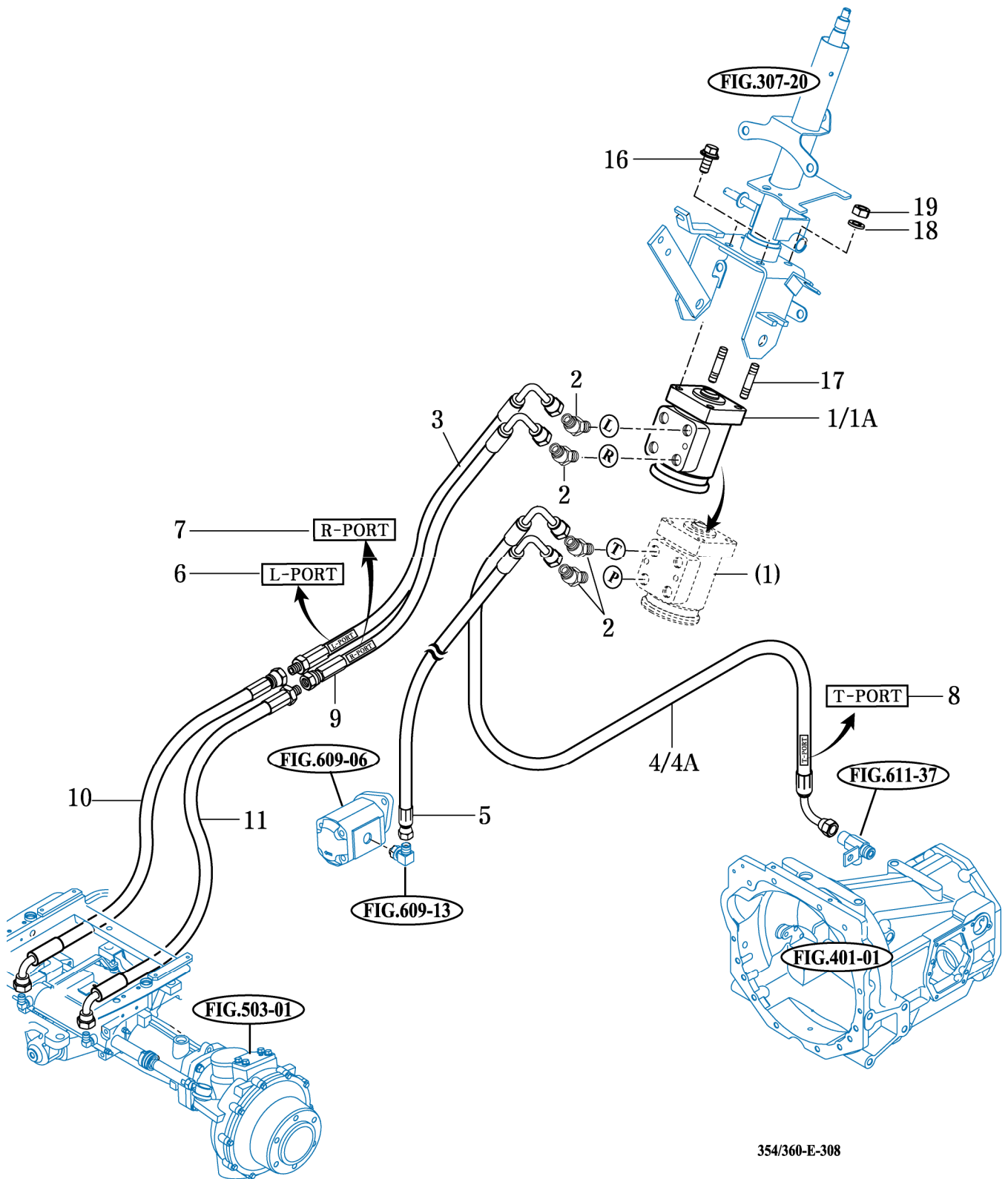
P1

Year / Month

2007 / 07



T543/T603



354/360-E-308

NOTE

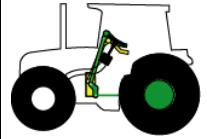
FIG 310

HAND BRAKE

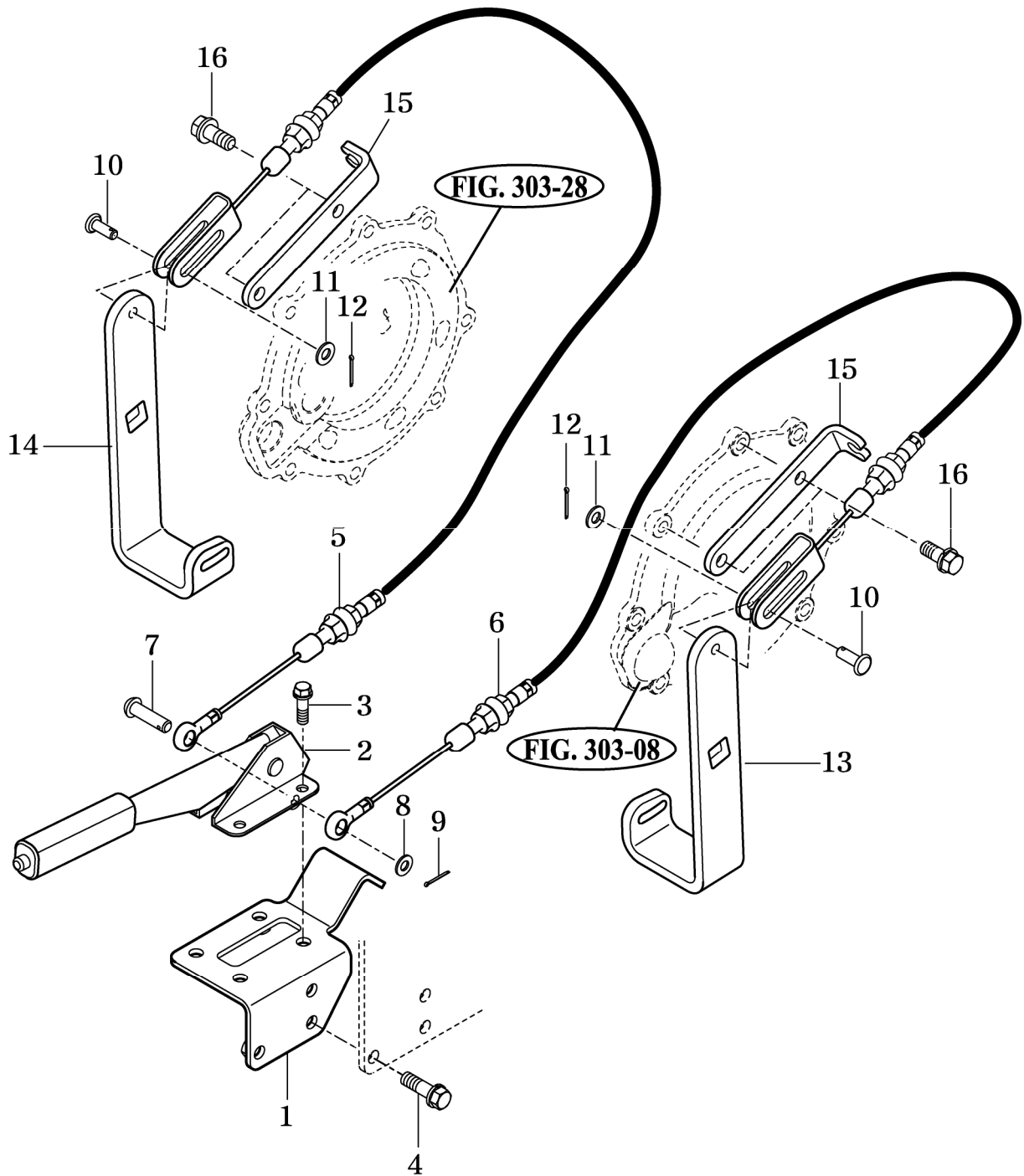
P1

Year / Month

2007 / 07



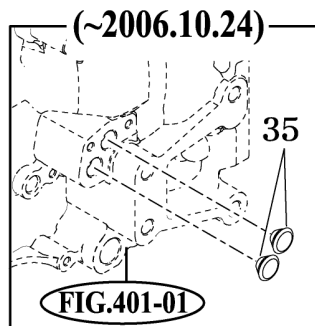
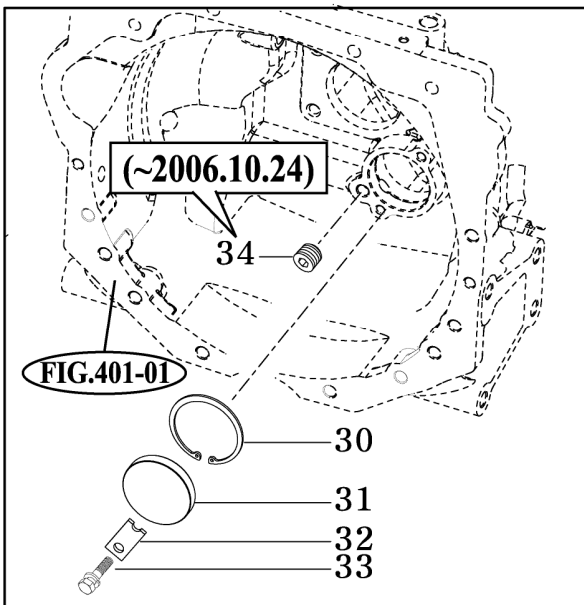
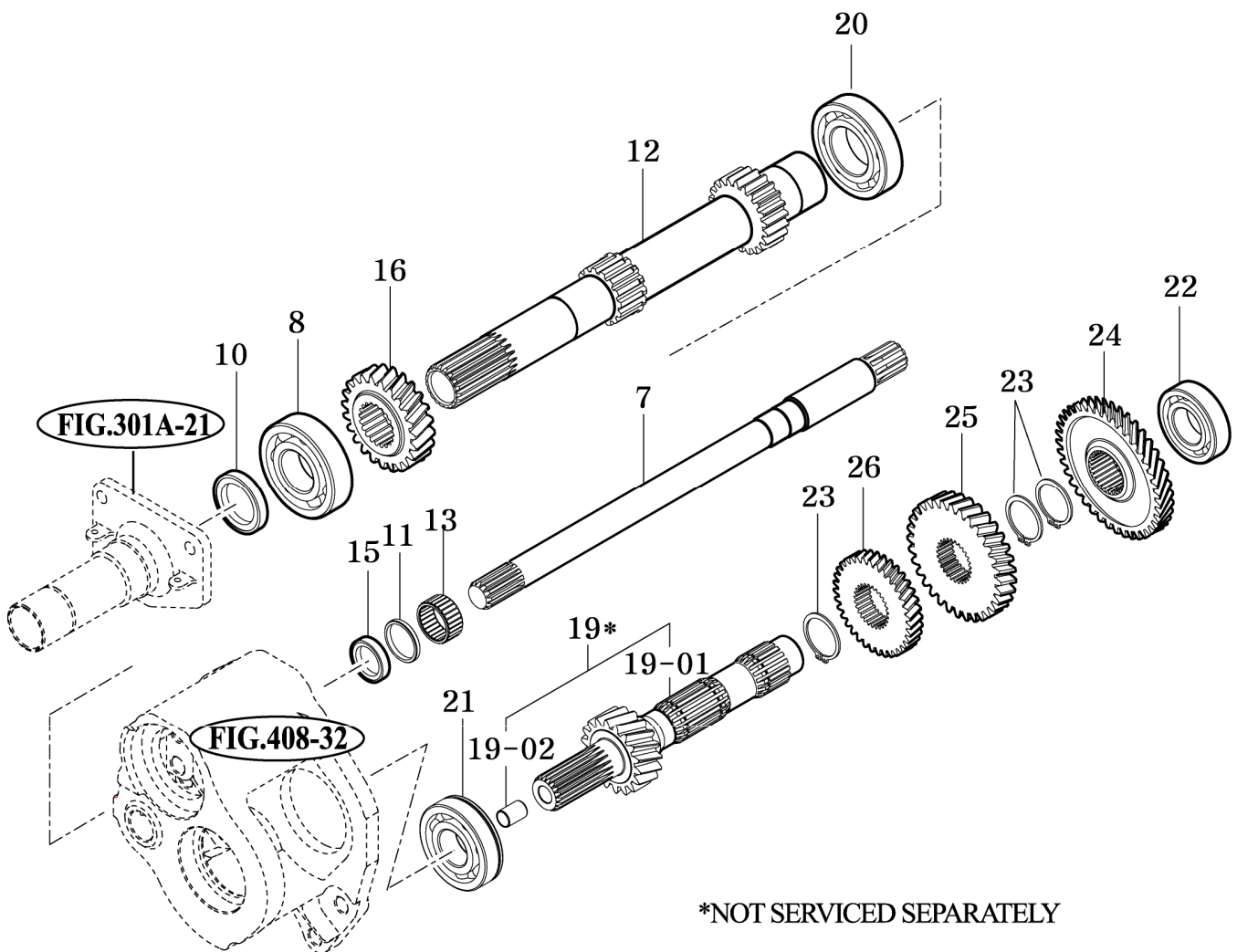
T543/T603



T543/603-E-310B

NOTE

FIG 402A T543/T603	INPUT&COUNTER GEARS-ST Only	P1	Year / Month	
			2007 / 07	



T543/T603-E-402A

NOTE * ST : a Standard type (T543ST/T603ST)

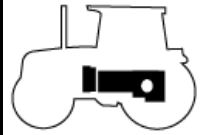
FIG 402B

INPUT&COUNTER GEARS-SP Only

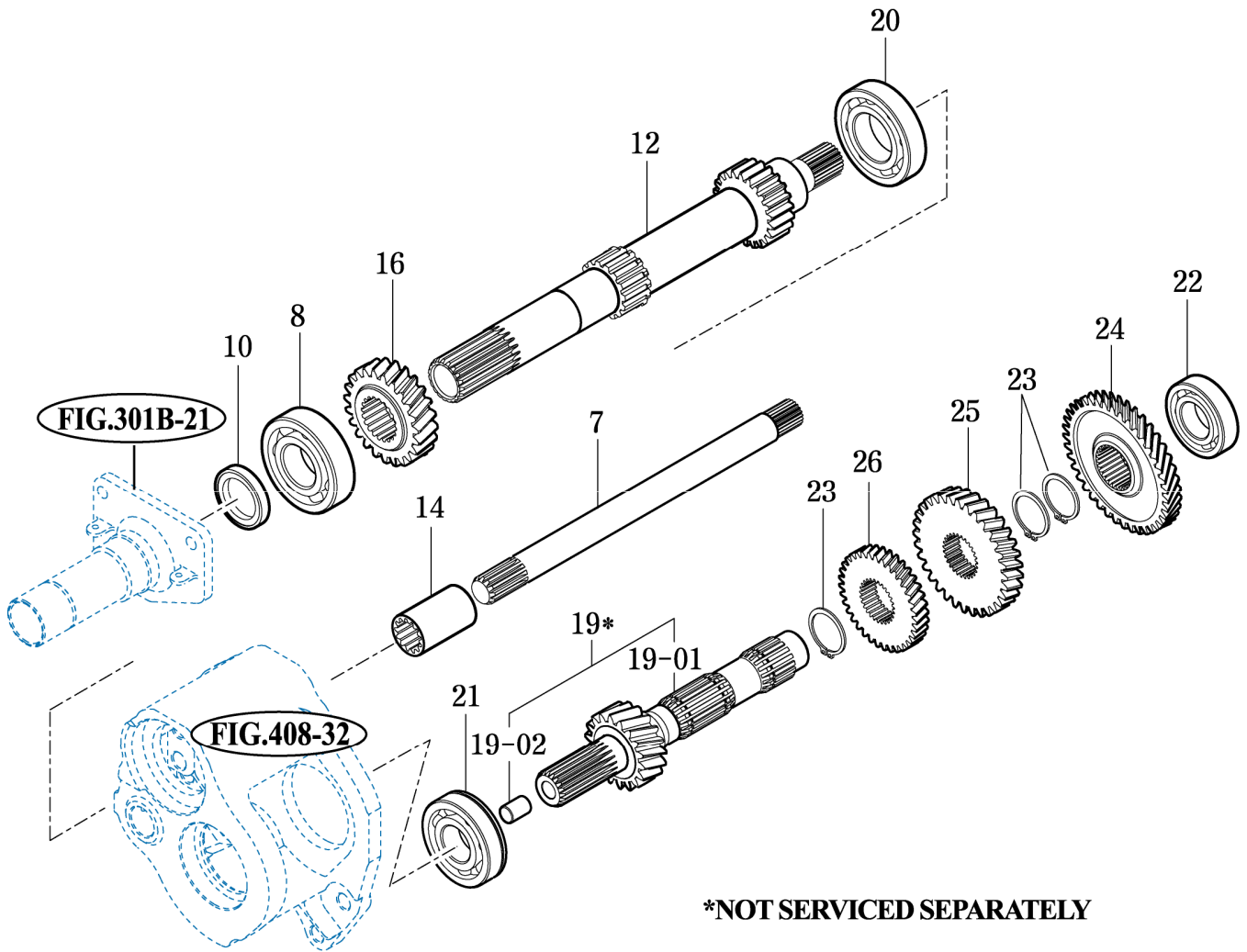
P1

Year / Month

2007 / 07



T543/T603



360-E-402B

NOTE

* SP : Power shuttle mounting (T603SP)

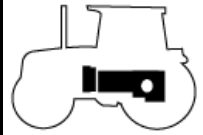
FIG 403

MAIN CHANGE GEARS

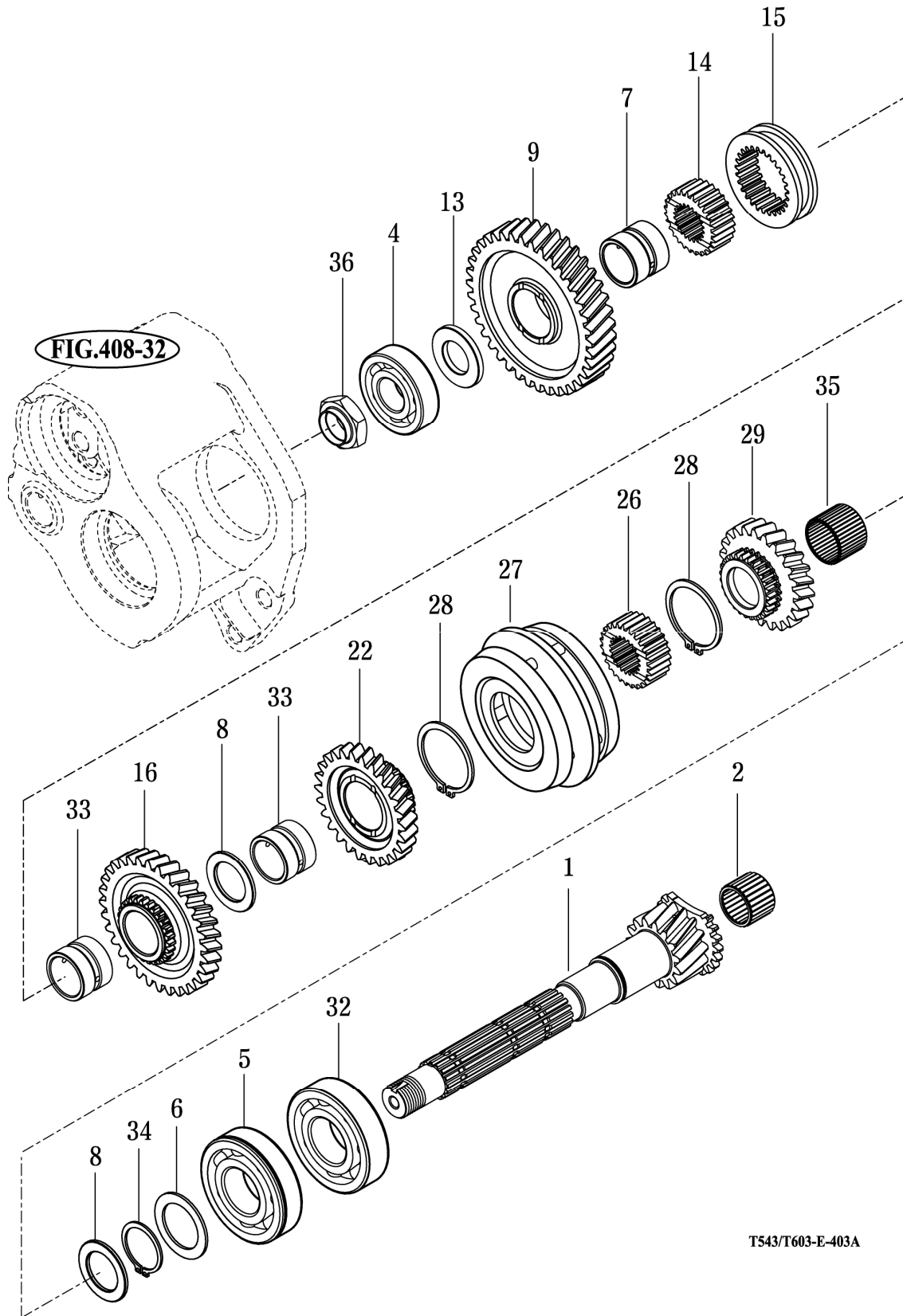
P1

Year / Month

2007 / 07



T543/T603



T543/T603-E-403A

NOTE

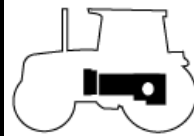
FIG 404A

REVERSE GEARS-ST Only

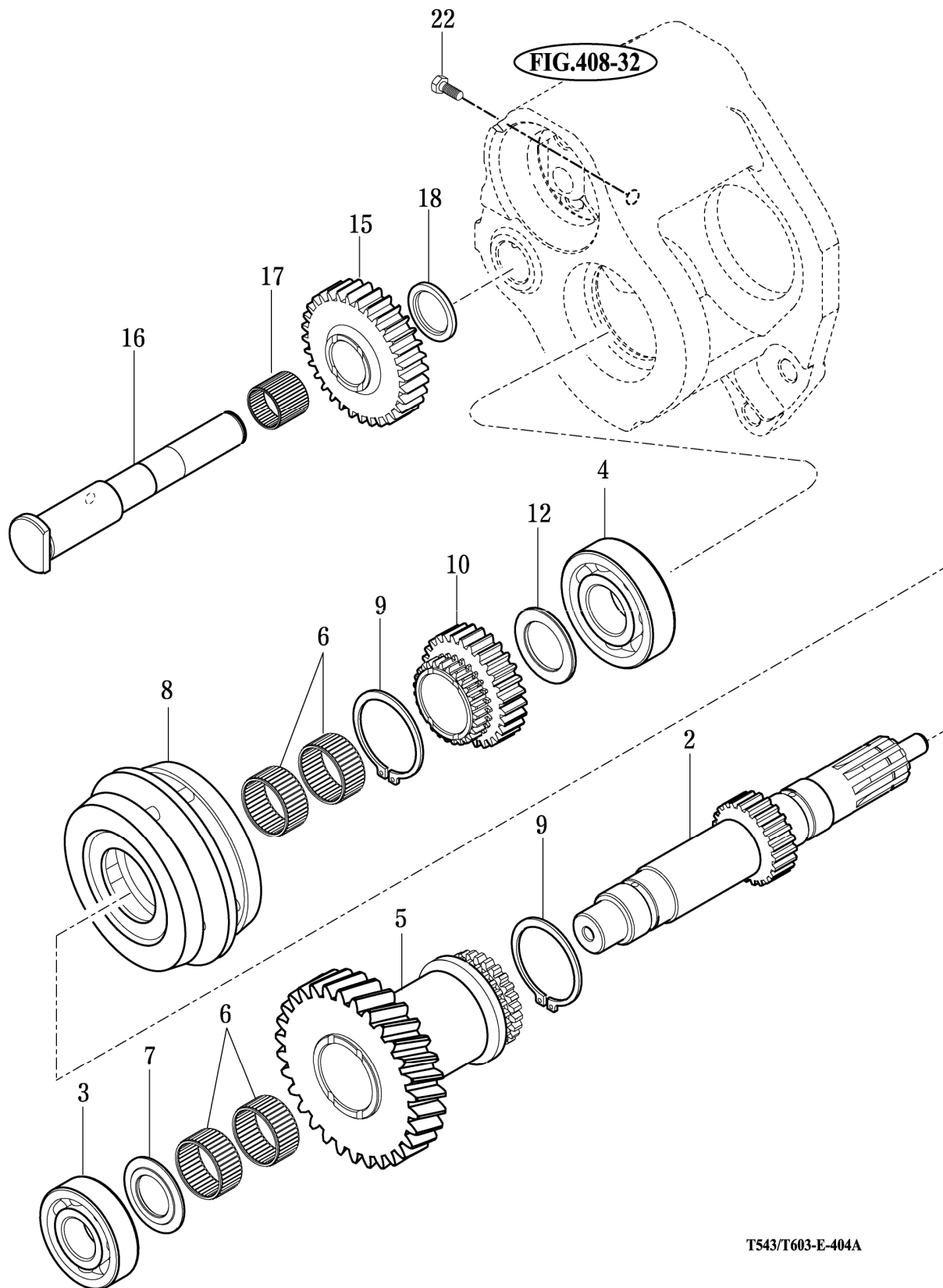
P1

Year / Month

2007 / 07



T543/T603



T543/T603-E-404A

NOTE

* ST : a Standard type (T543ST/T603ST)

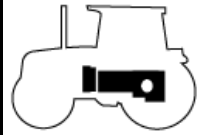
FIG 404B

REVERSE GEARS-SP Only

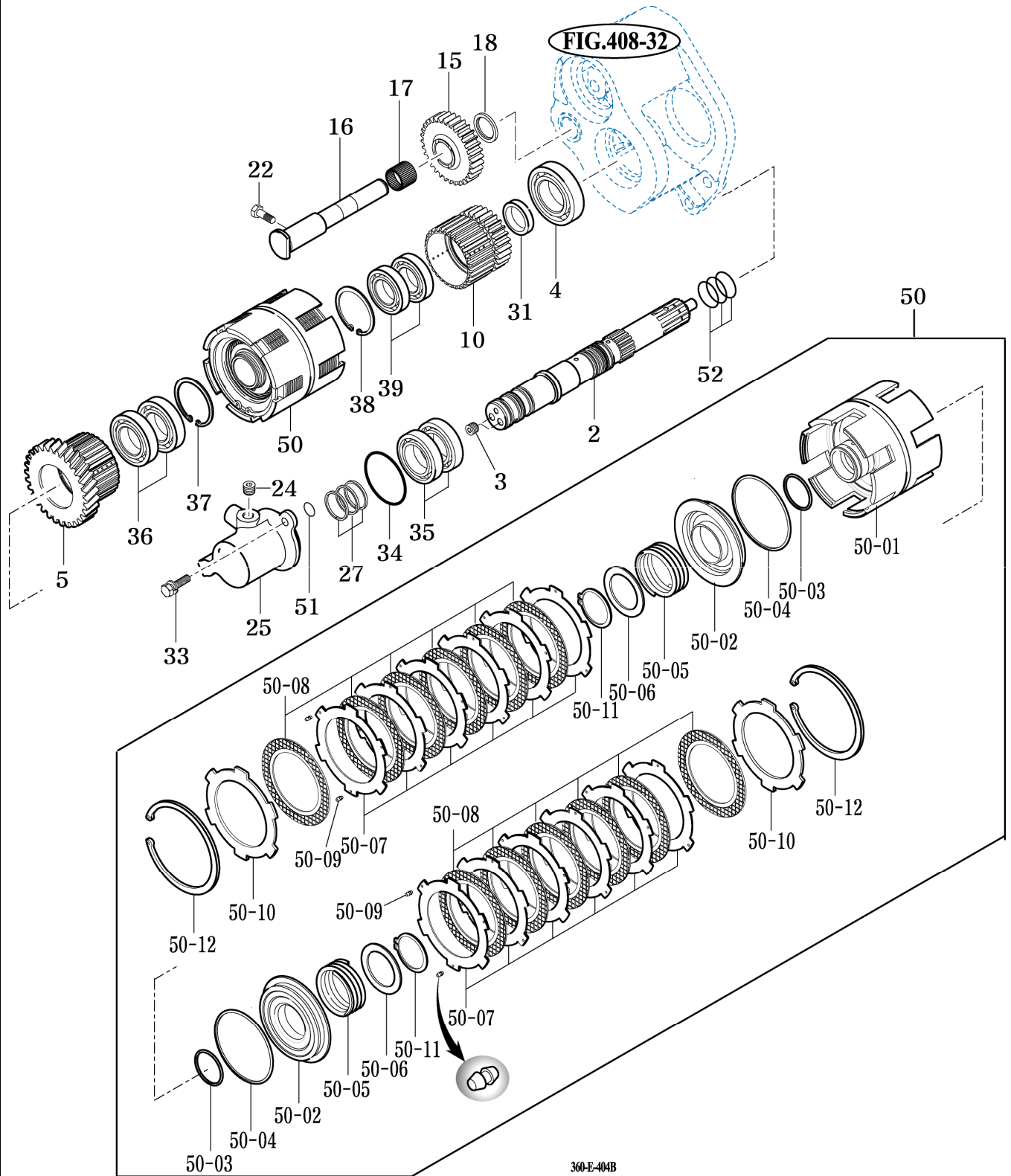
P1

Year / Month

2007 / 07



T543/T603



NOTE

* SP : Power shuttle mounting (T603SP)

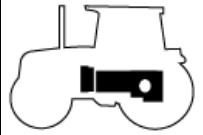
FIG 405

P.T.O DRIVE SHAFT

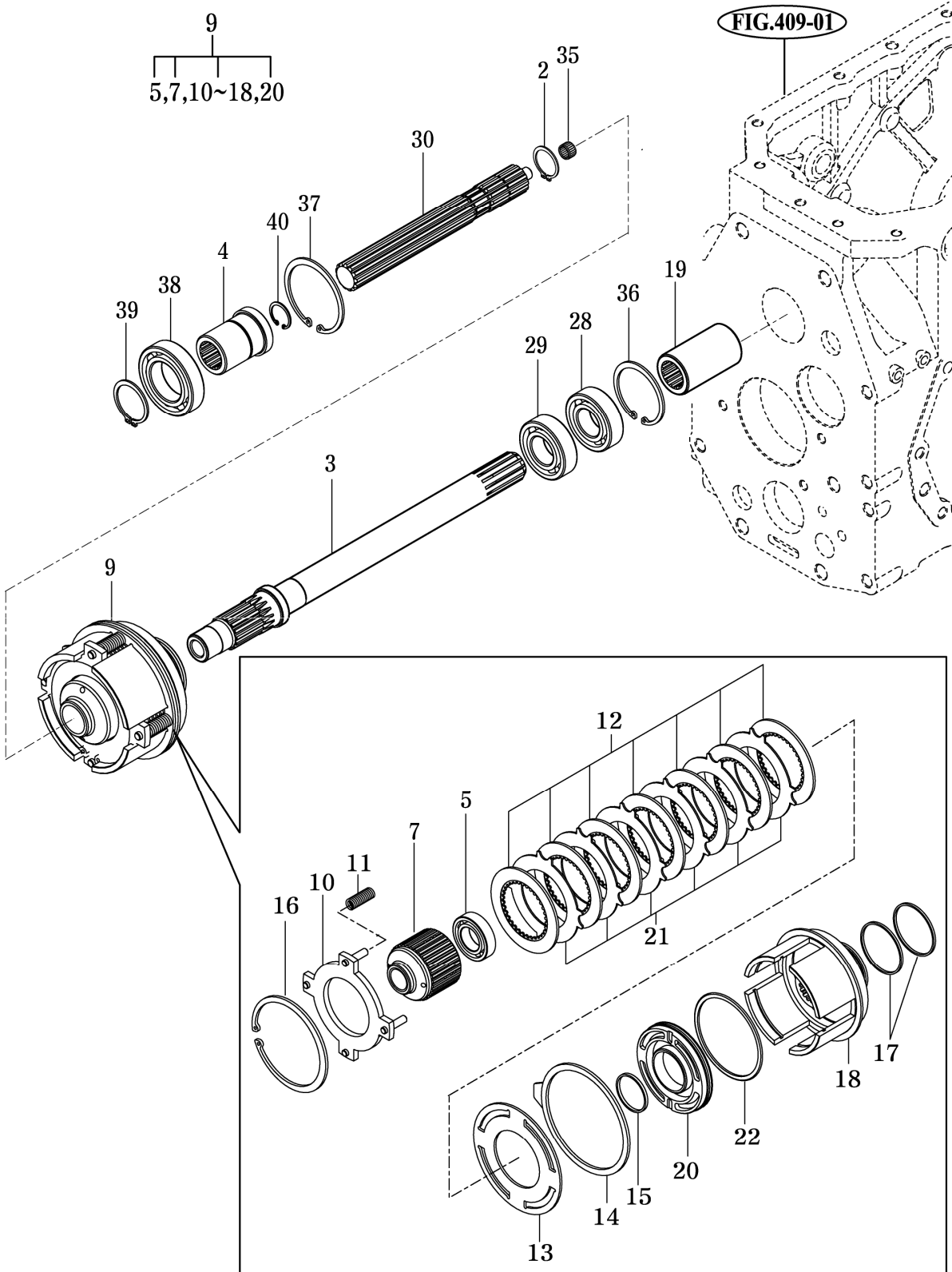
P1

Year / Month

2007 / 07



T543/T603



T543/T603-E-405A

NOTE

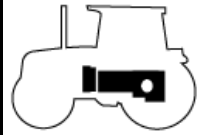
FIG 406

MAIN CHANGE LEVER

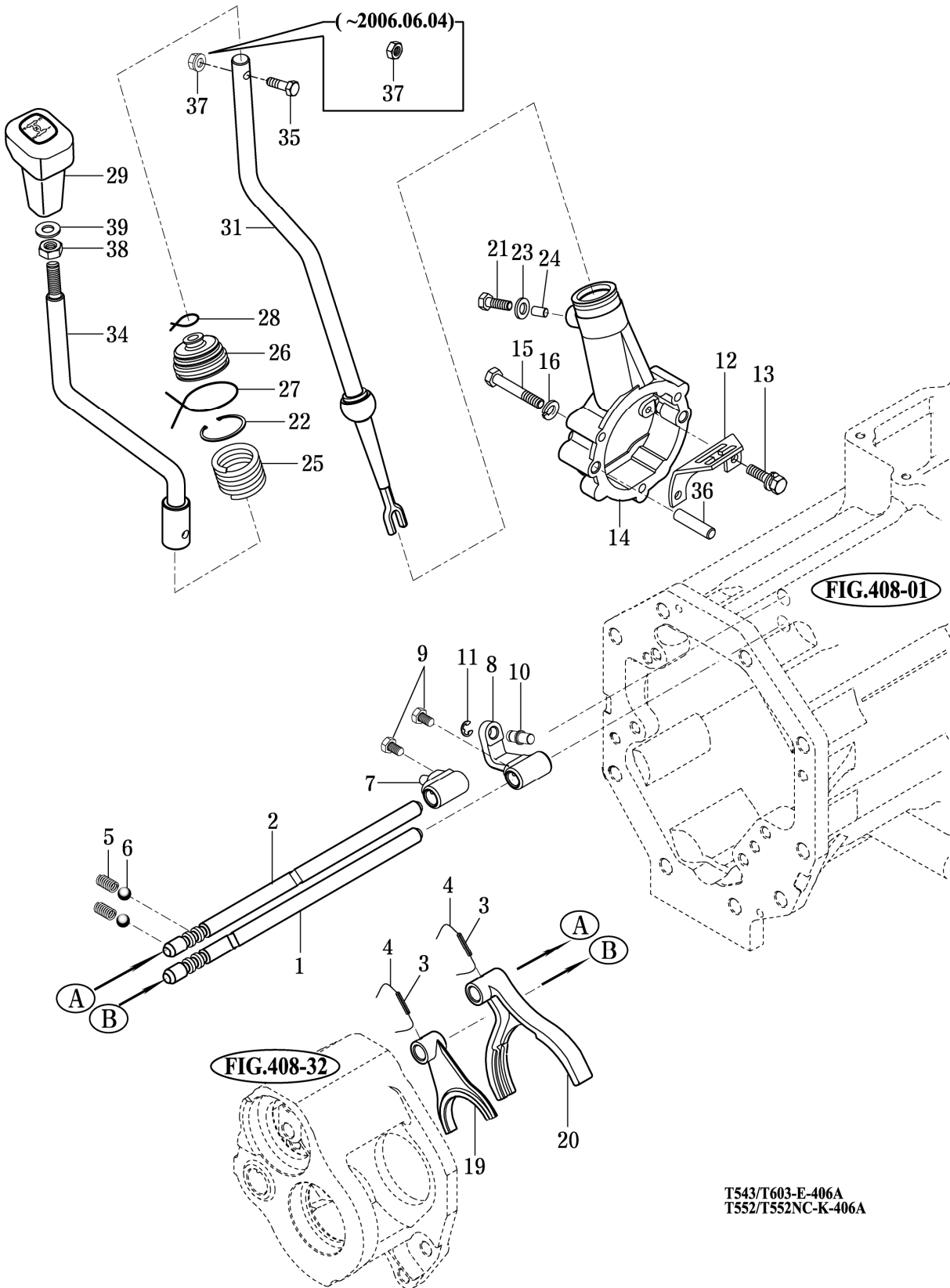
P1

Year / Month

2007 / 07



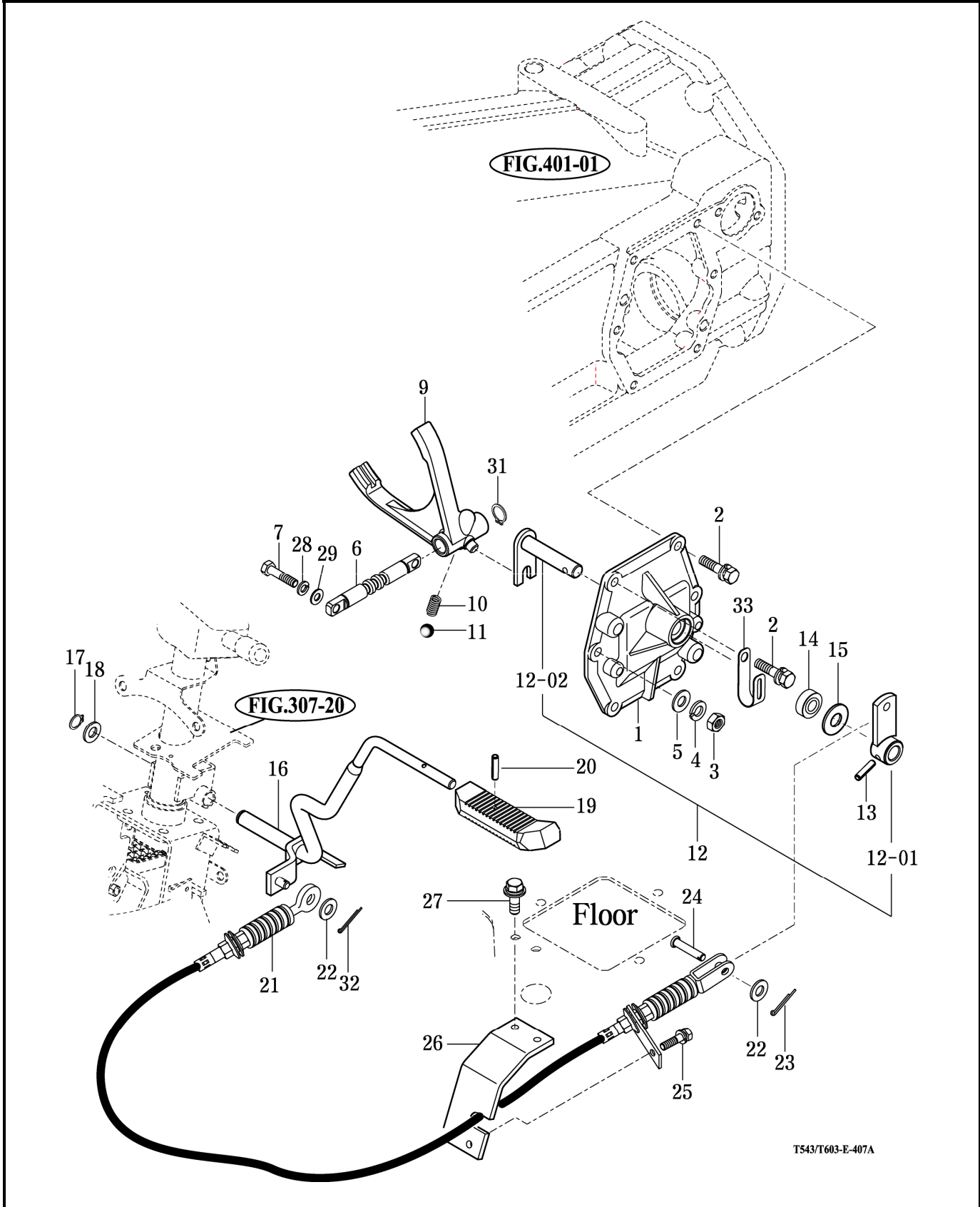
T543/T603



T543/T603-E-406A
T552/T552NC-K-406A

NOTE

FIG 407A T543/T603	REVERSE CHANGE LEVER-ST Only	P1	Year / Month	
			2007 / 07	



T543/T603-E-407A

NOTE	* ST : a Standard type (T543ST/T603ST)
------	--

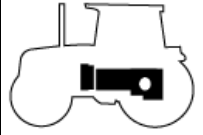
FIG 407B

REVERSE CHANGE SWITCH-SP Only

P1

Year / Month

2007 / 07



T543/T603

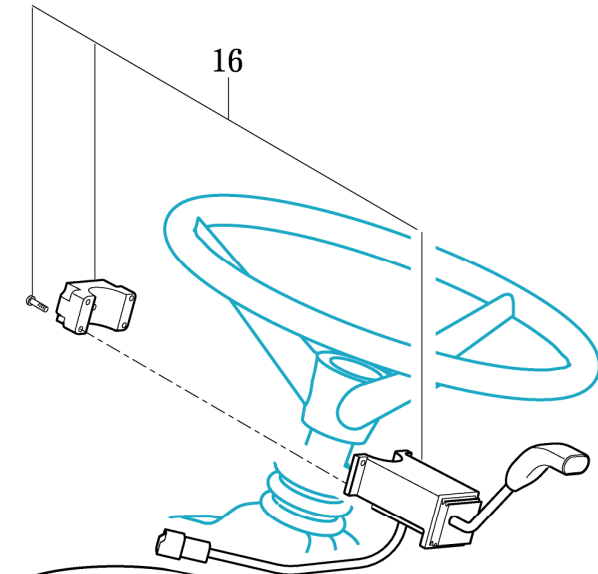
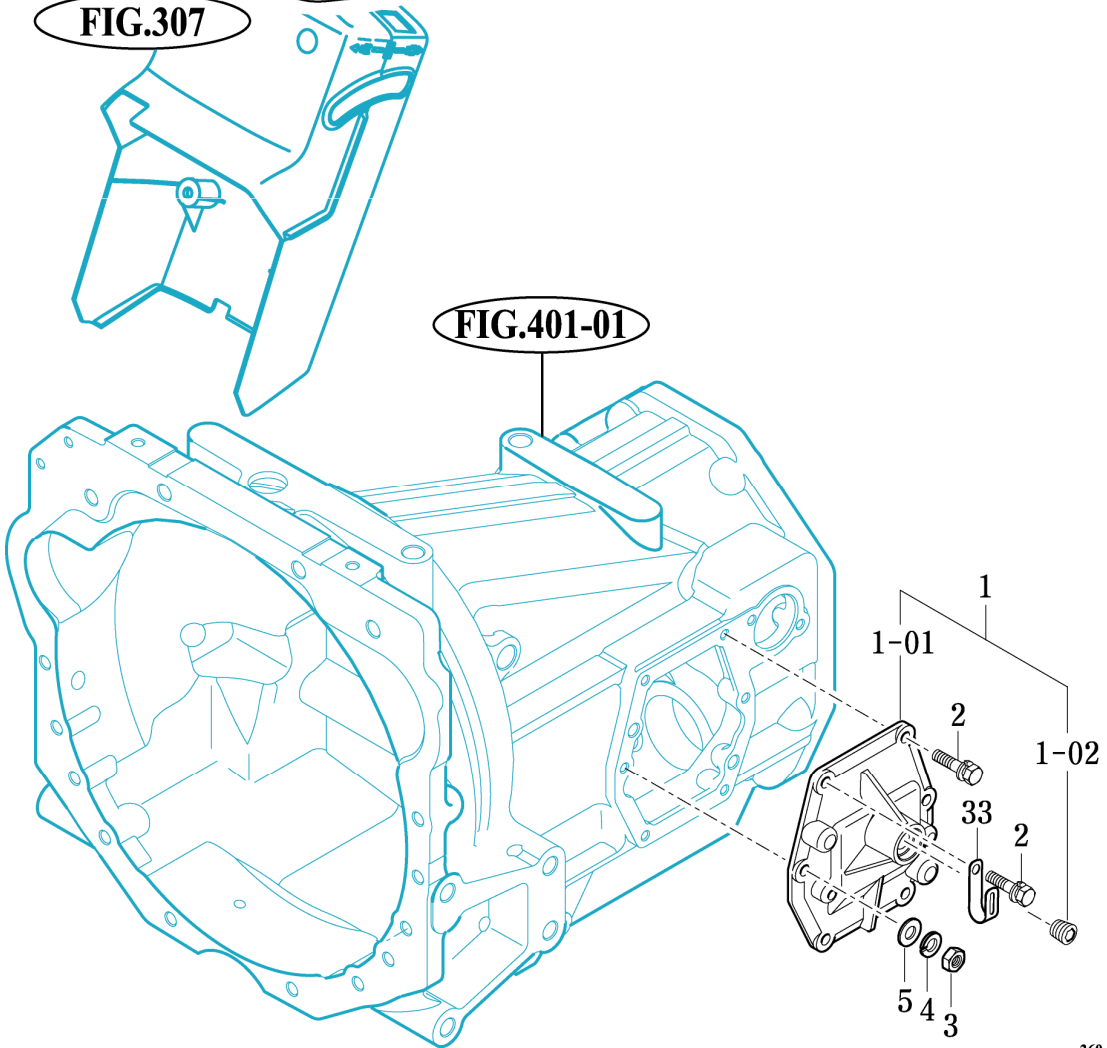


FIG.307



360-E-407

NOTE

* SP : Power shuttle mounting (T603SP)

FIG 408

T543/T603

TRANSMISSION MID CASE

P1

Year / Month

2007 / 07

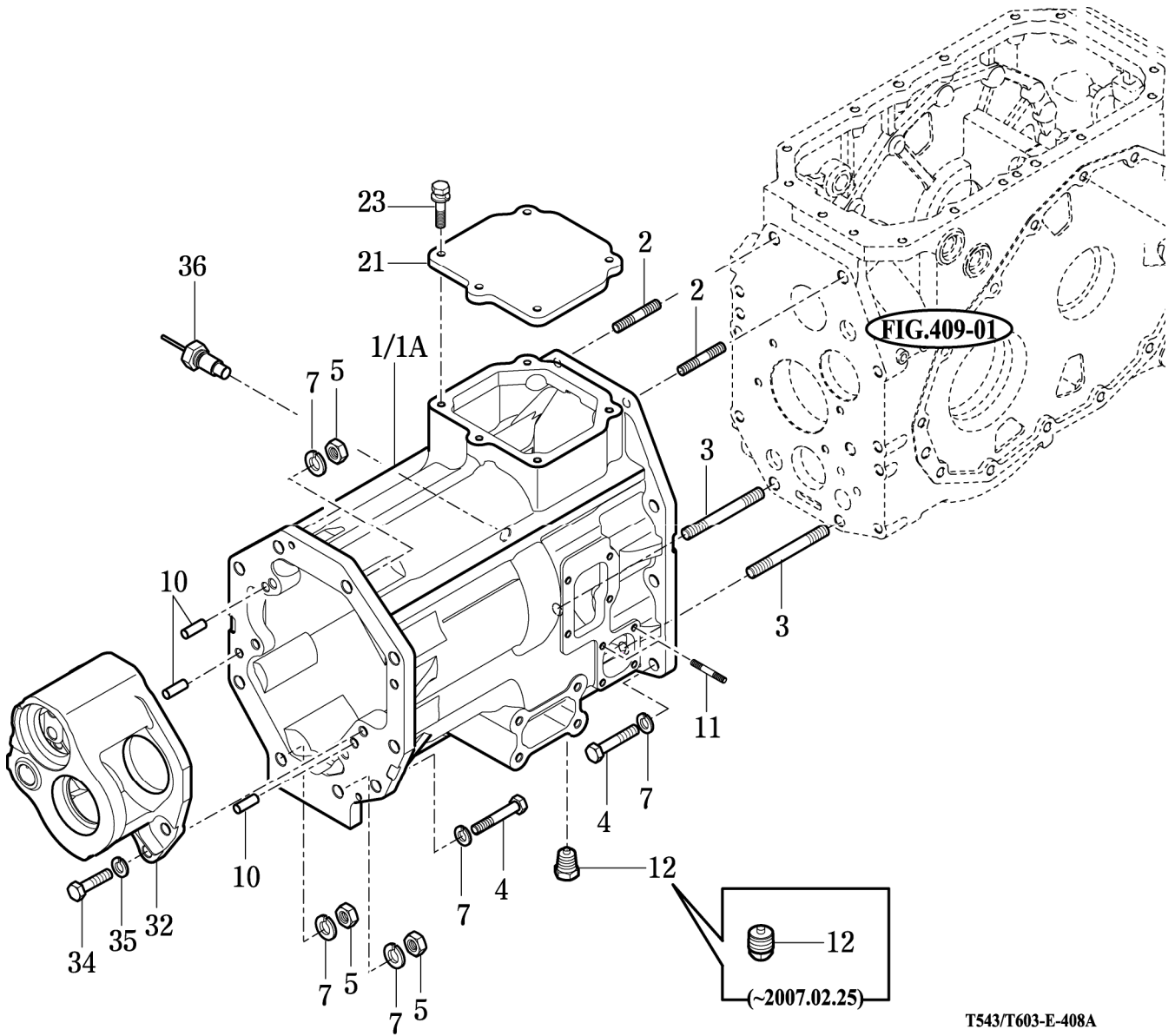
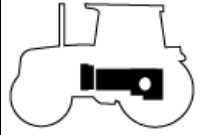


FIG.409-01

T543/T603-E-408A

NOTE

FIG 409

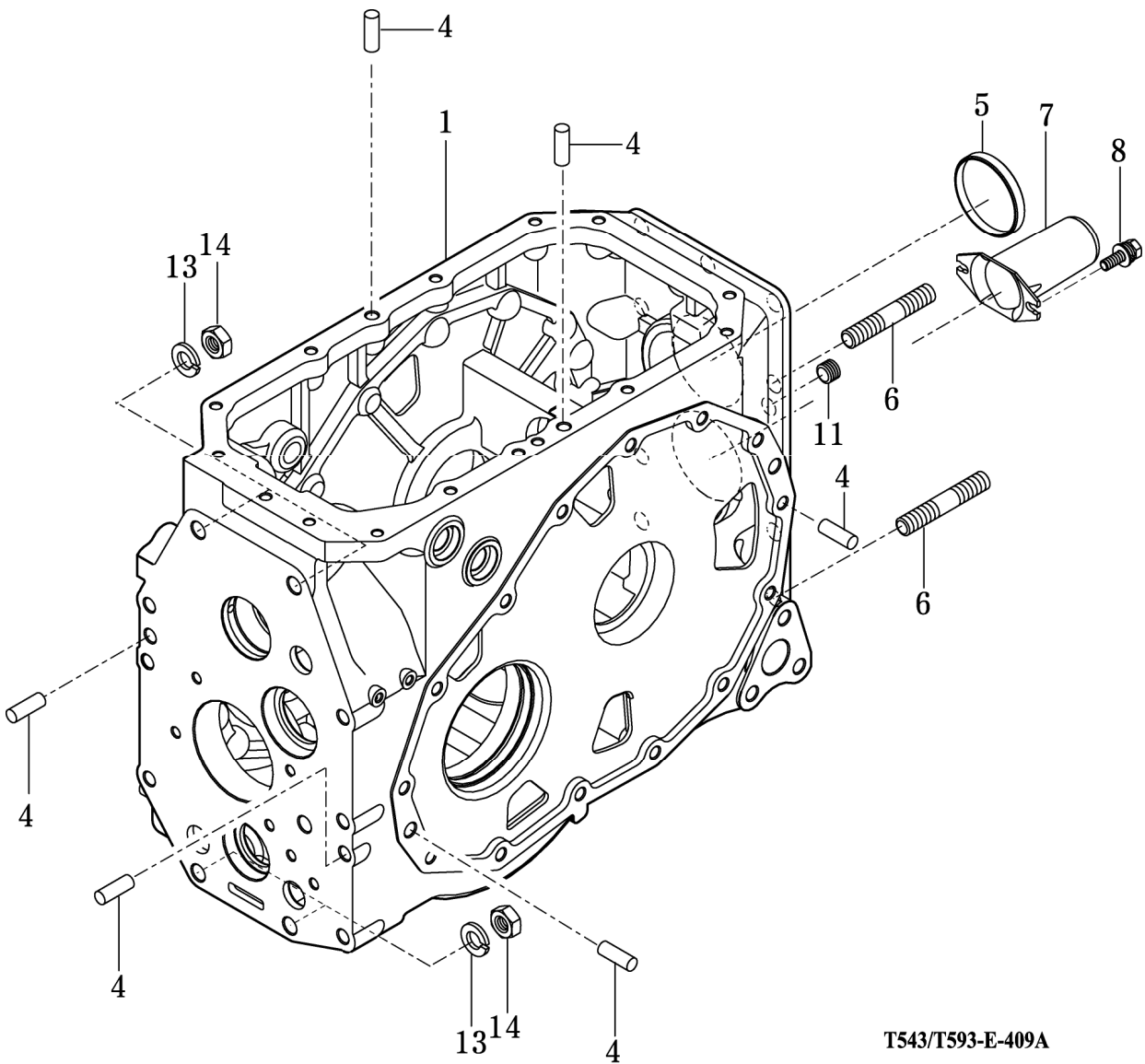
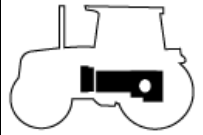
TRANMISSION REAR CASE

T543/T603

P1

Year / Month

2007 / 07



T543/T593-E-409A

NOTE

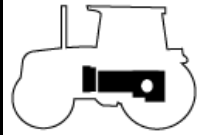
FIG 410

SUB CHANGE GEARS

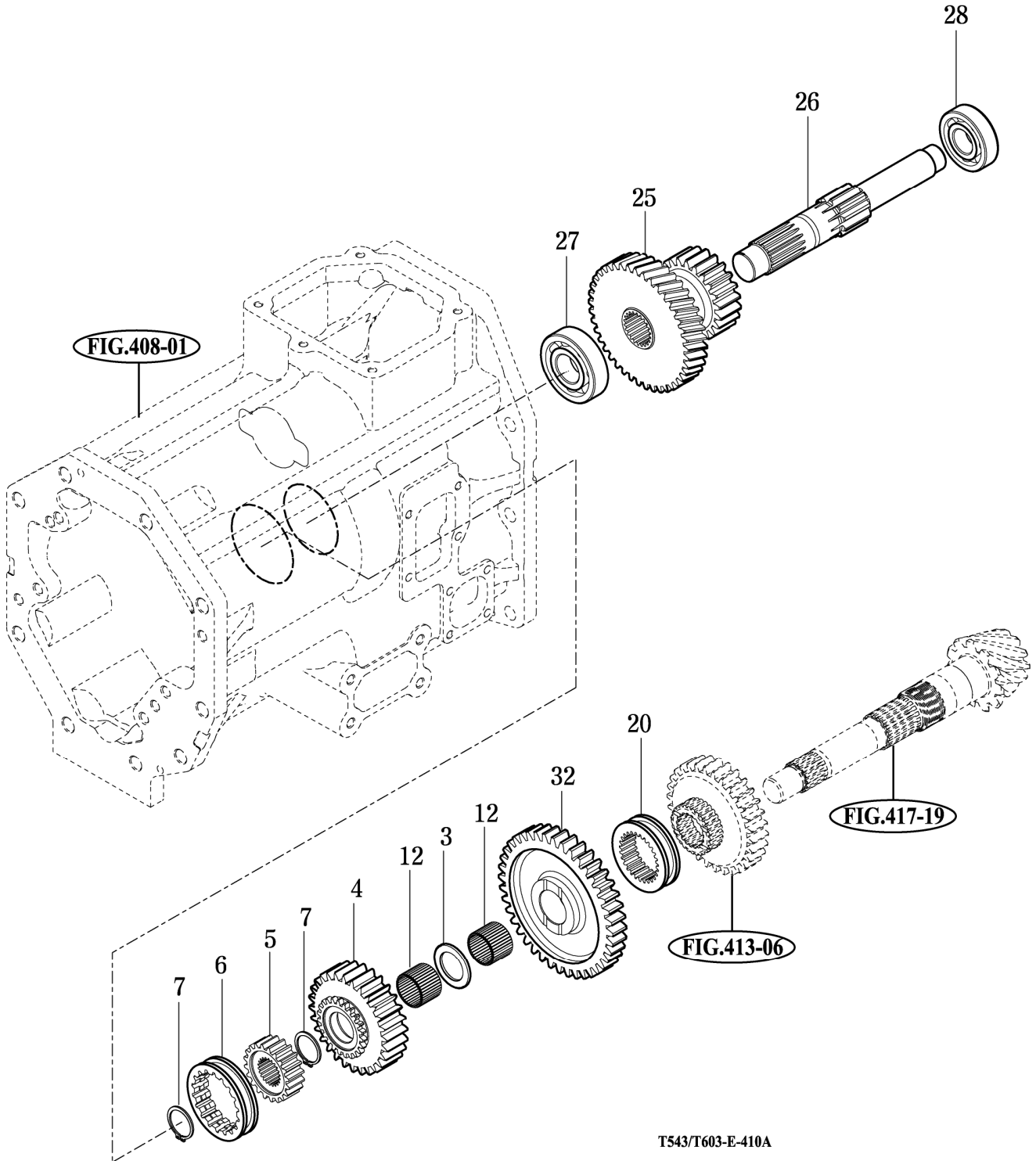
P1

Year / Month

2007 / 07



T543/T603



NOTE

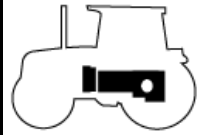
FIG 411

SUB CHANGE SHIFTER

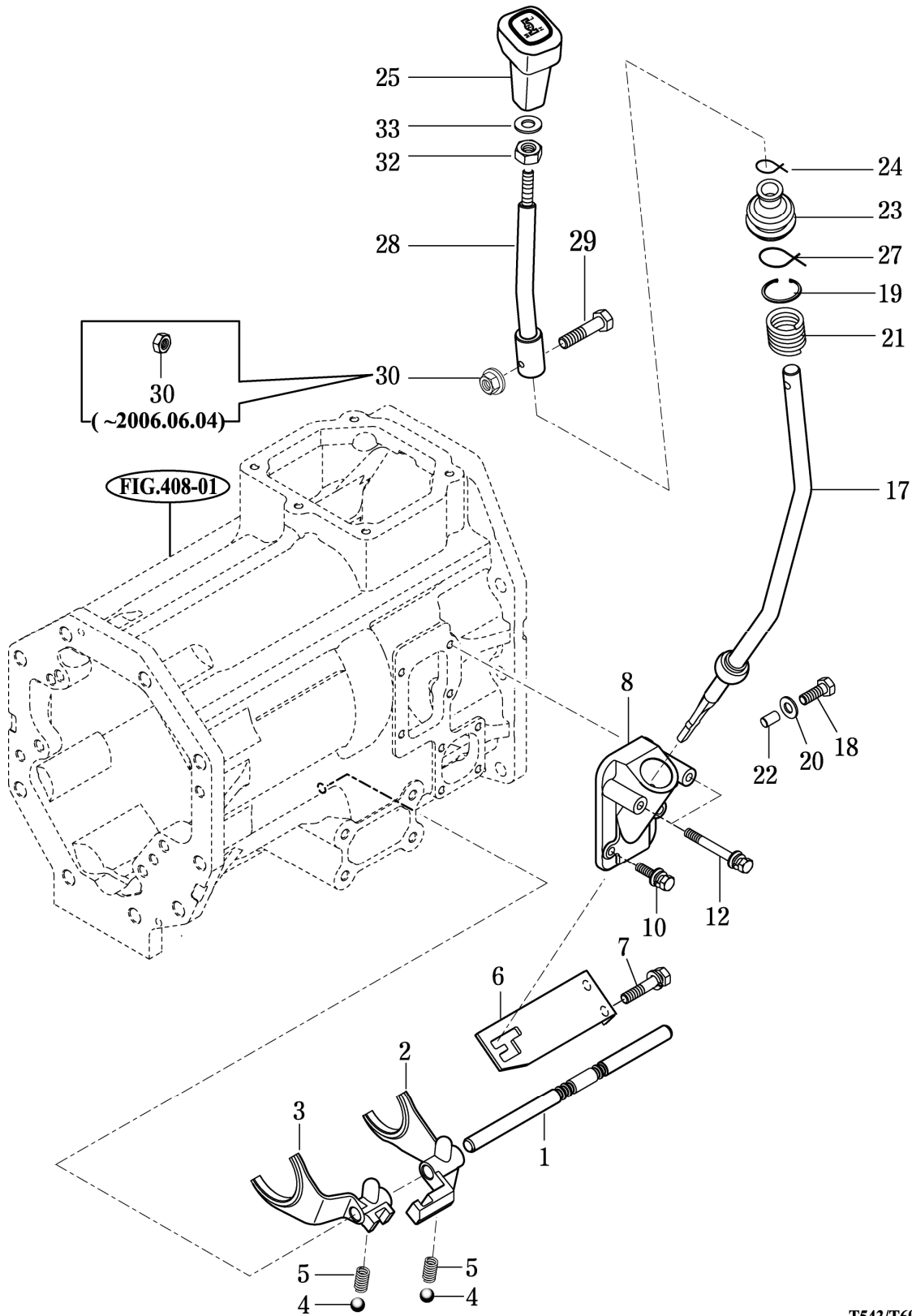
P1

Year / Month

2007 / 07



T543/T603



NOTE

FIG 412

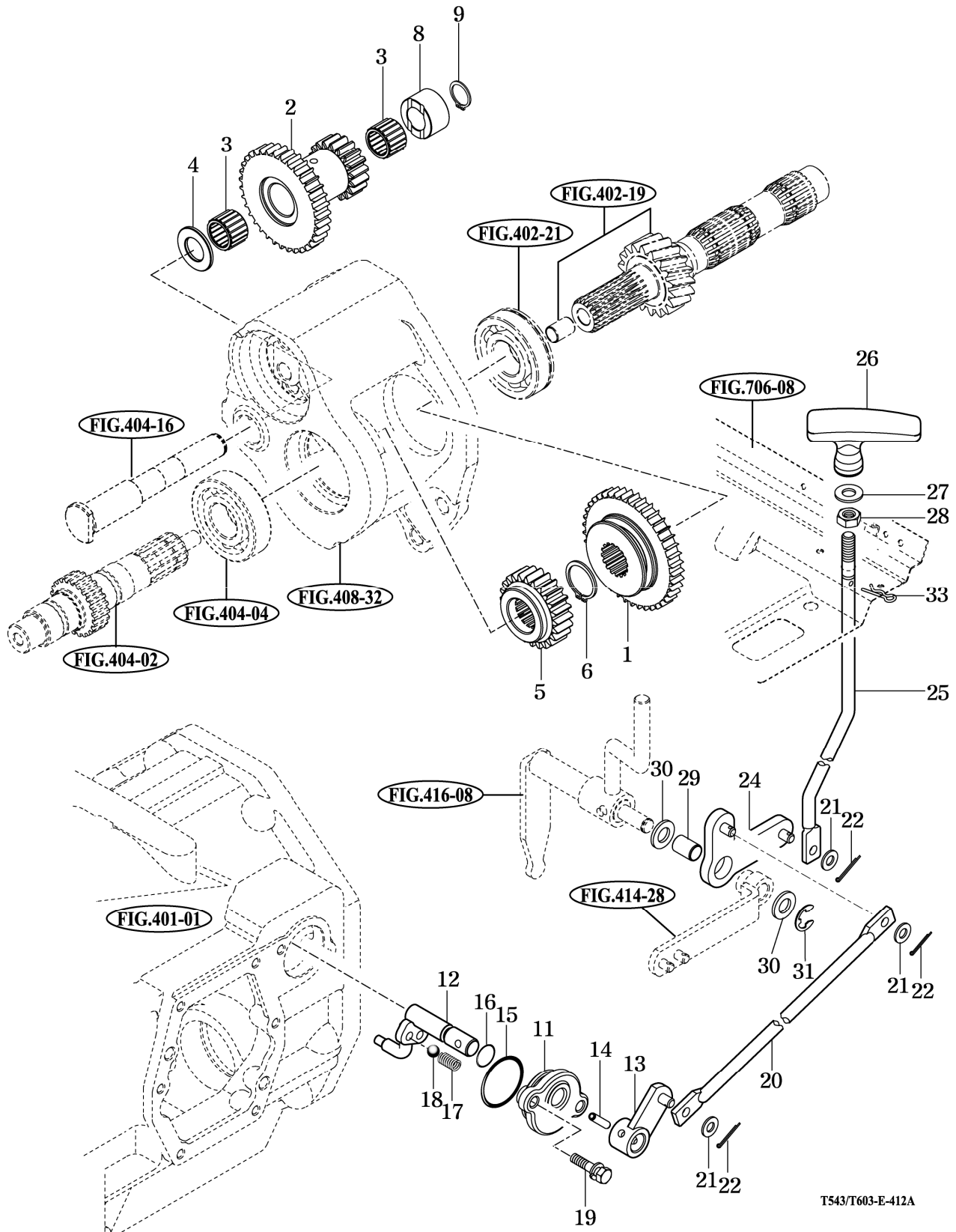
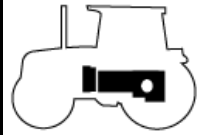
T543/T603

CREEP CHANGE

P1

Year / Month

2007 / 07



T543/T603-E-412A

NOTE

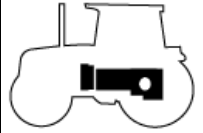
FIG 413A

DRIVE GEARS-ST Only

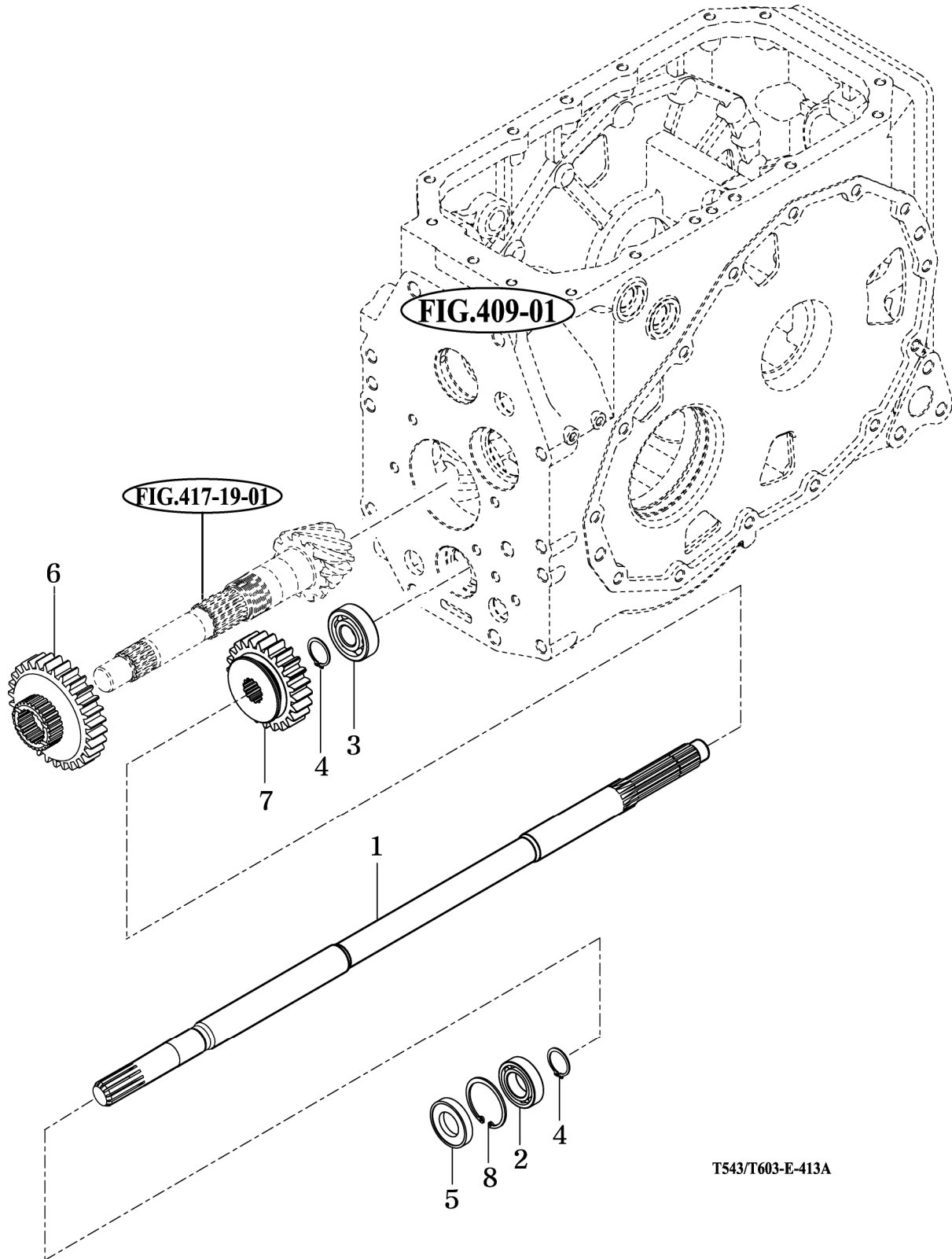
P1

Year / Month

2007 / 07



T543/T603



T543/T603-E-413A

NOTE

* ST : a Standard type (T543ST/T603ST)

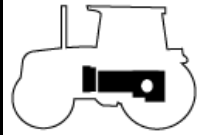
FIG 413B

DRIVE GEARS-SP Only

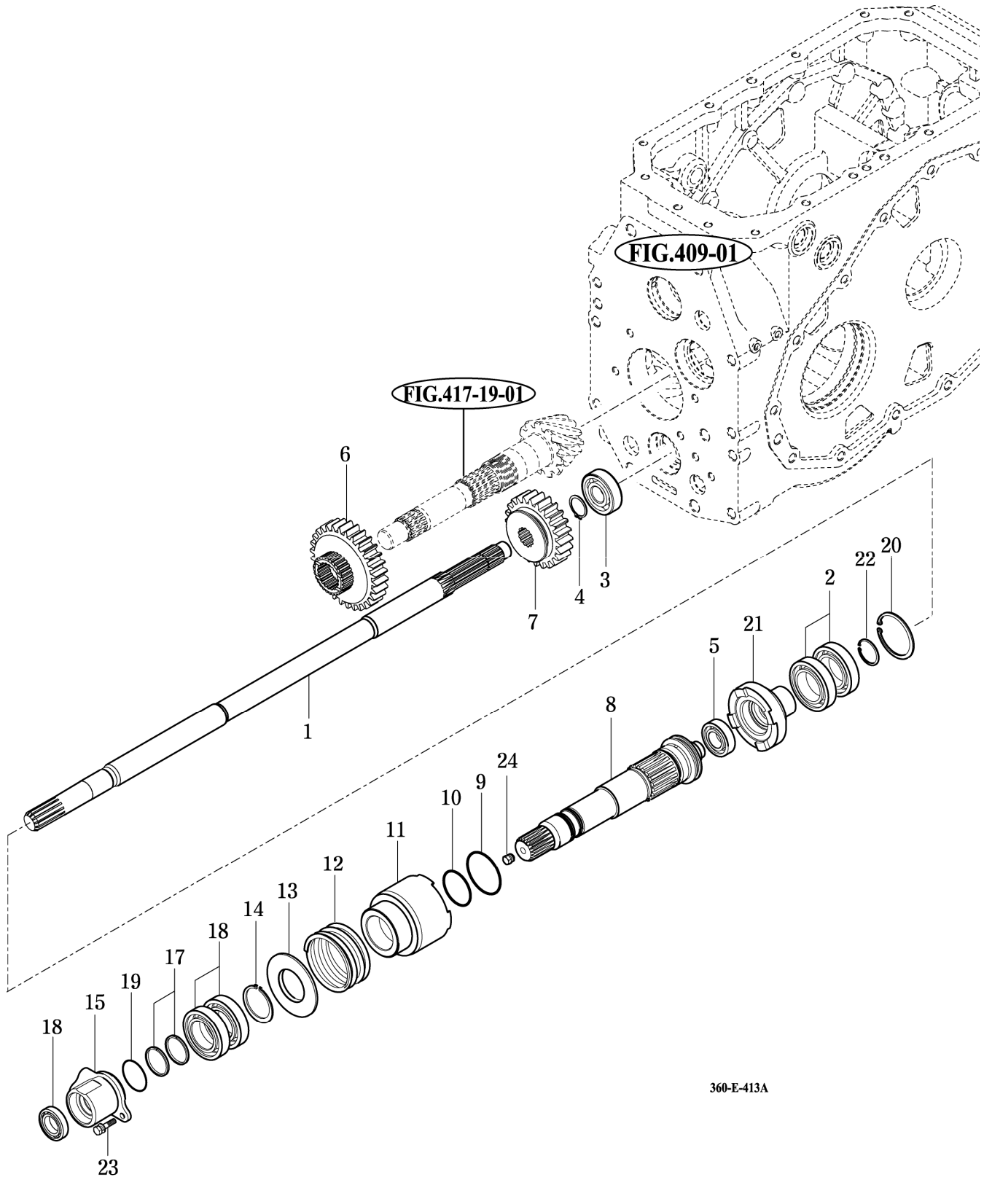
P1

Year / Month

2007 / 07



T543/T603



360-E-413A

NOTE

* SP : Power shuttle mounting (T603SP)

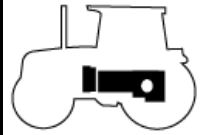
FIG 414B

4WD METAL ASSY-SP Only

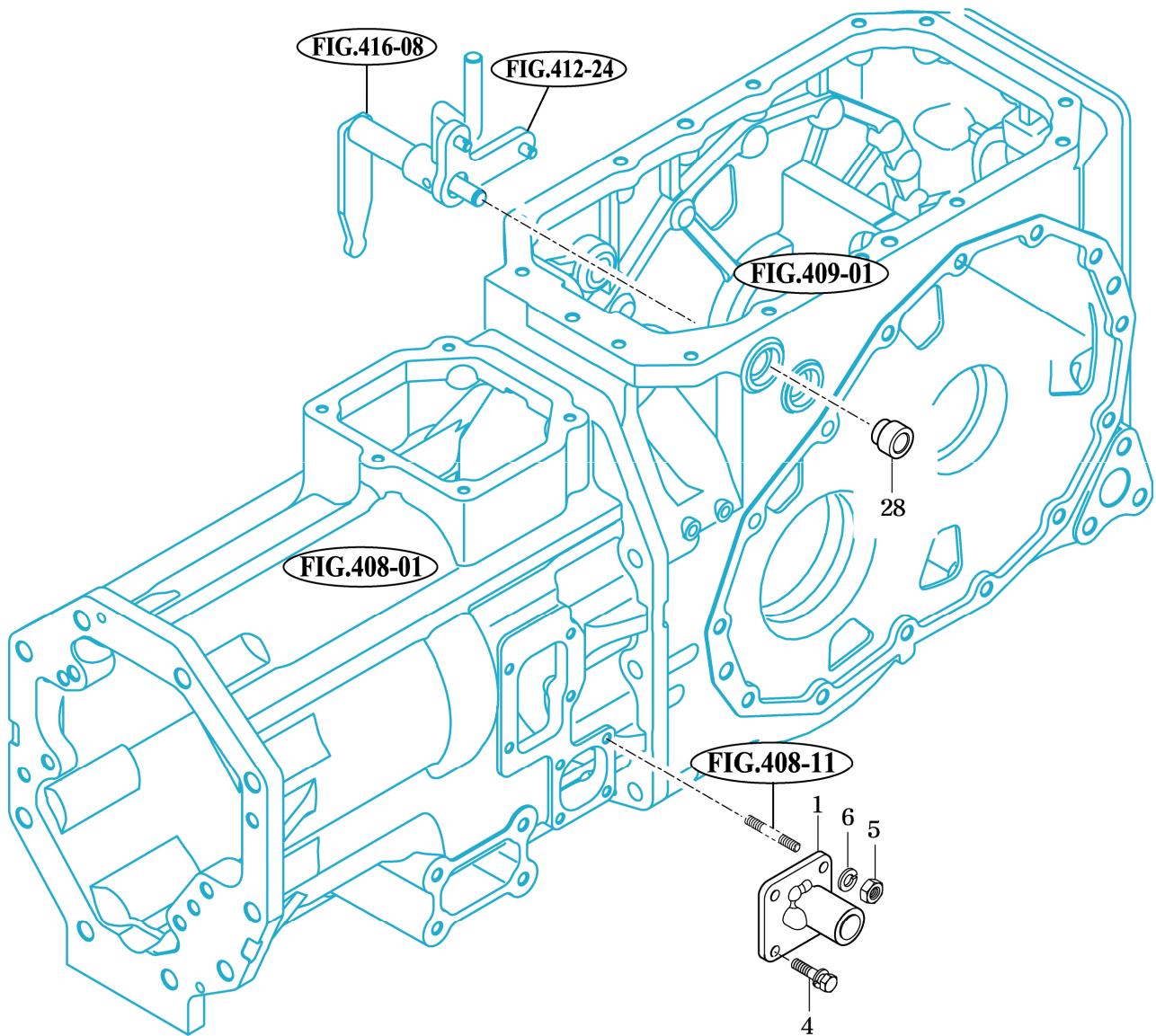
P1

Year / Month

2007 / 07



T543/T603



360-E-414B

NOTE

* SP : Power shuttle mounting (T603SP)

FIG 415

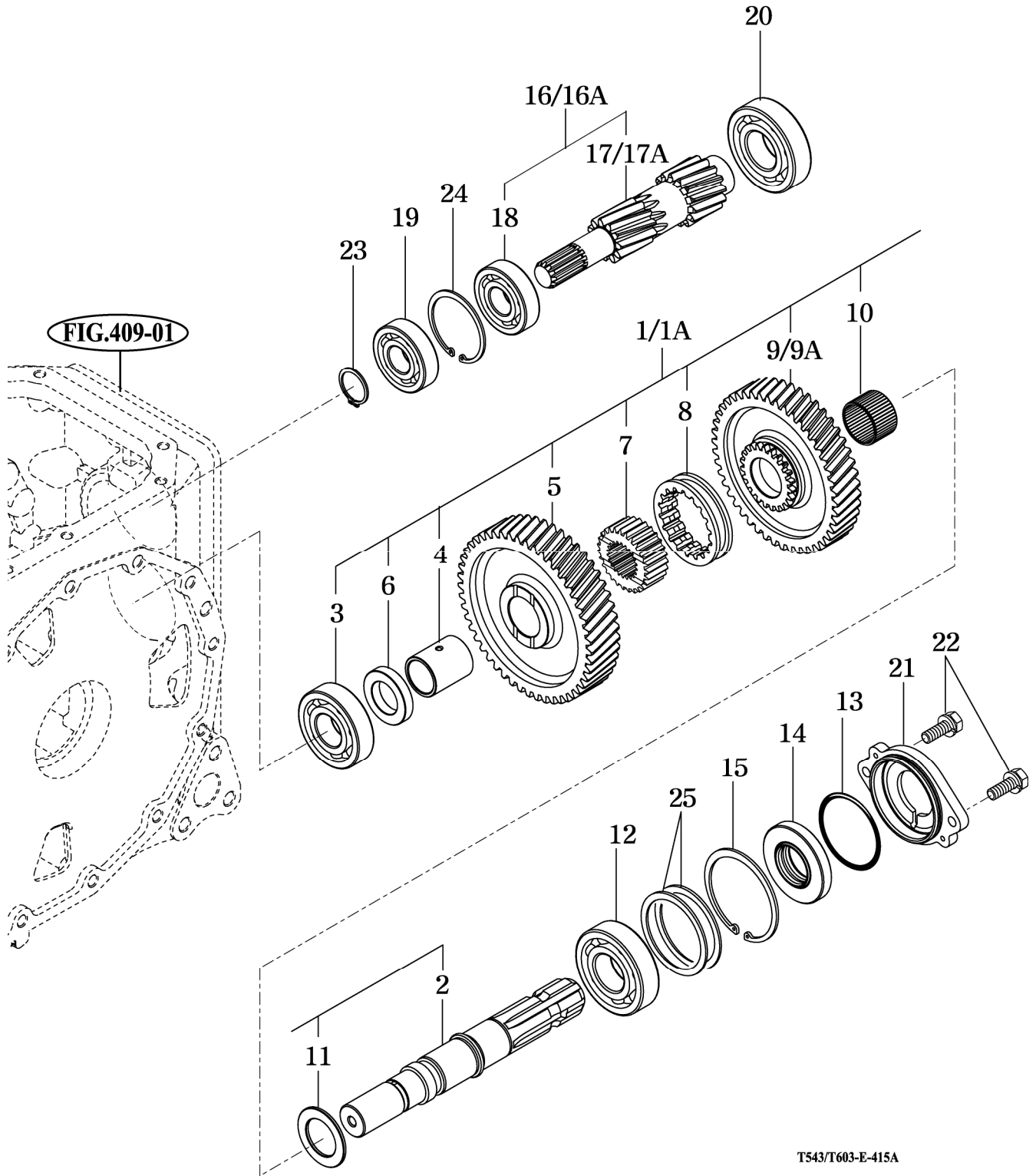
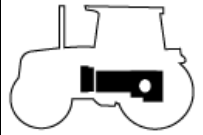
T543/T603

P.T.O CHANGE GEARS

P1

Year / Month

2007 / 07



T543/T603-E-415A

NOTE

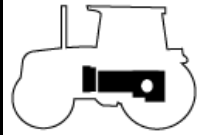
FIG 416

P.T.O CHANGE SHIFTER

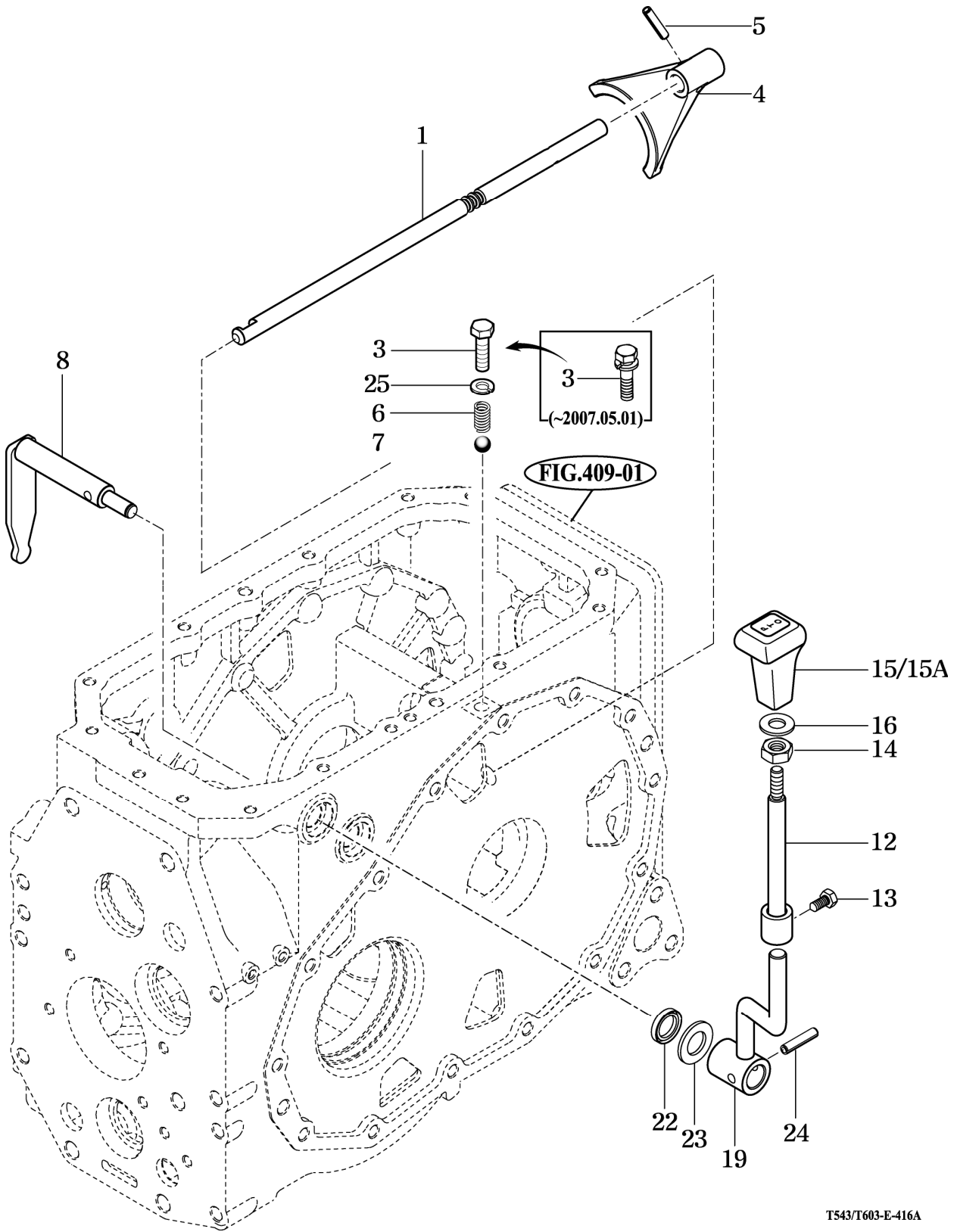
P1

Year / Month

2007 / 07



T543/T603



T543/T603-E-416A

NOTE

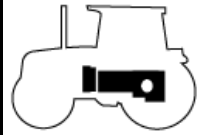
FIG 417

REAR DIFFERENTIAL GEARS

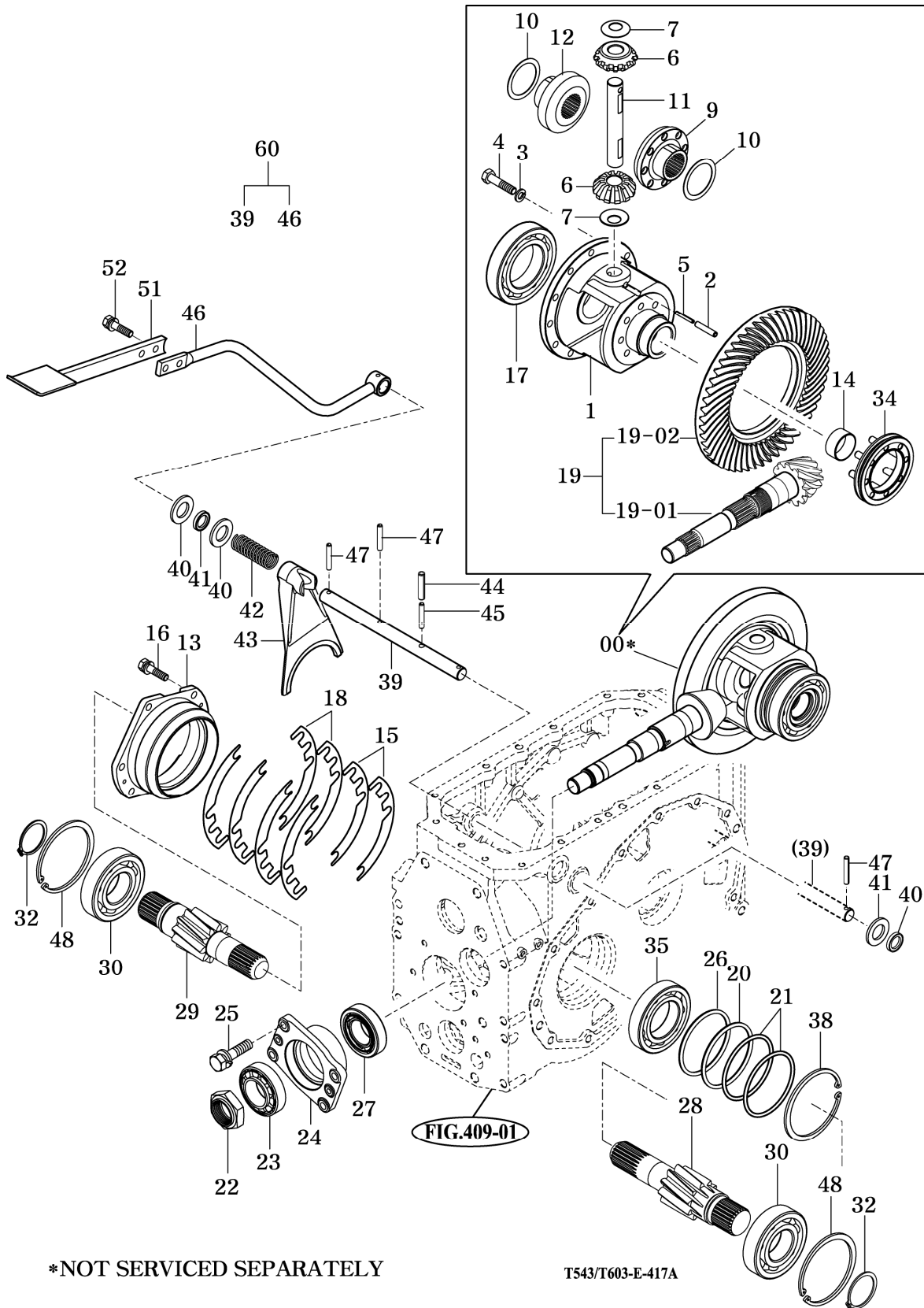
P1

Year / Month

2007 / 07



T543/T603



*NOT SERVICED SEPARATELY

T543/T603-E-417A

NOTE

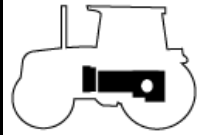
FIG 417

REAR DIFFERENTIAL GEARS

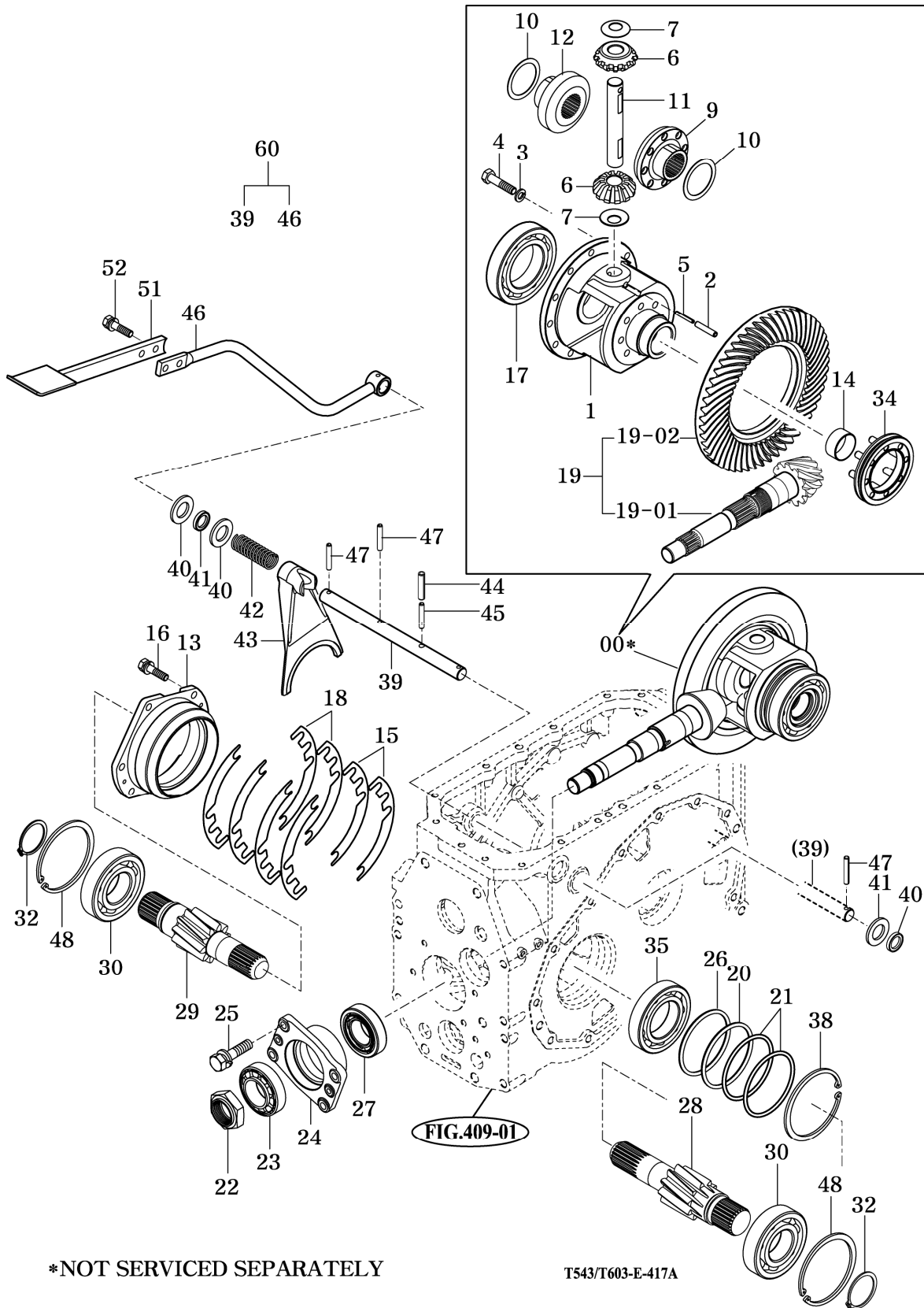
P2

Year / Month

2007 / 07



T543/T603



*NOT SERVICED SEPARATELY

T543/T603-E-417A

NOTE

FIG 418

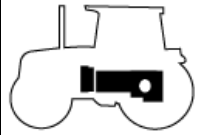
REAR AXLE HOUSING

T543/T603

P1

Year / Month

2007 / 07

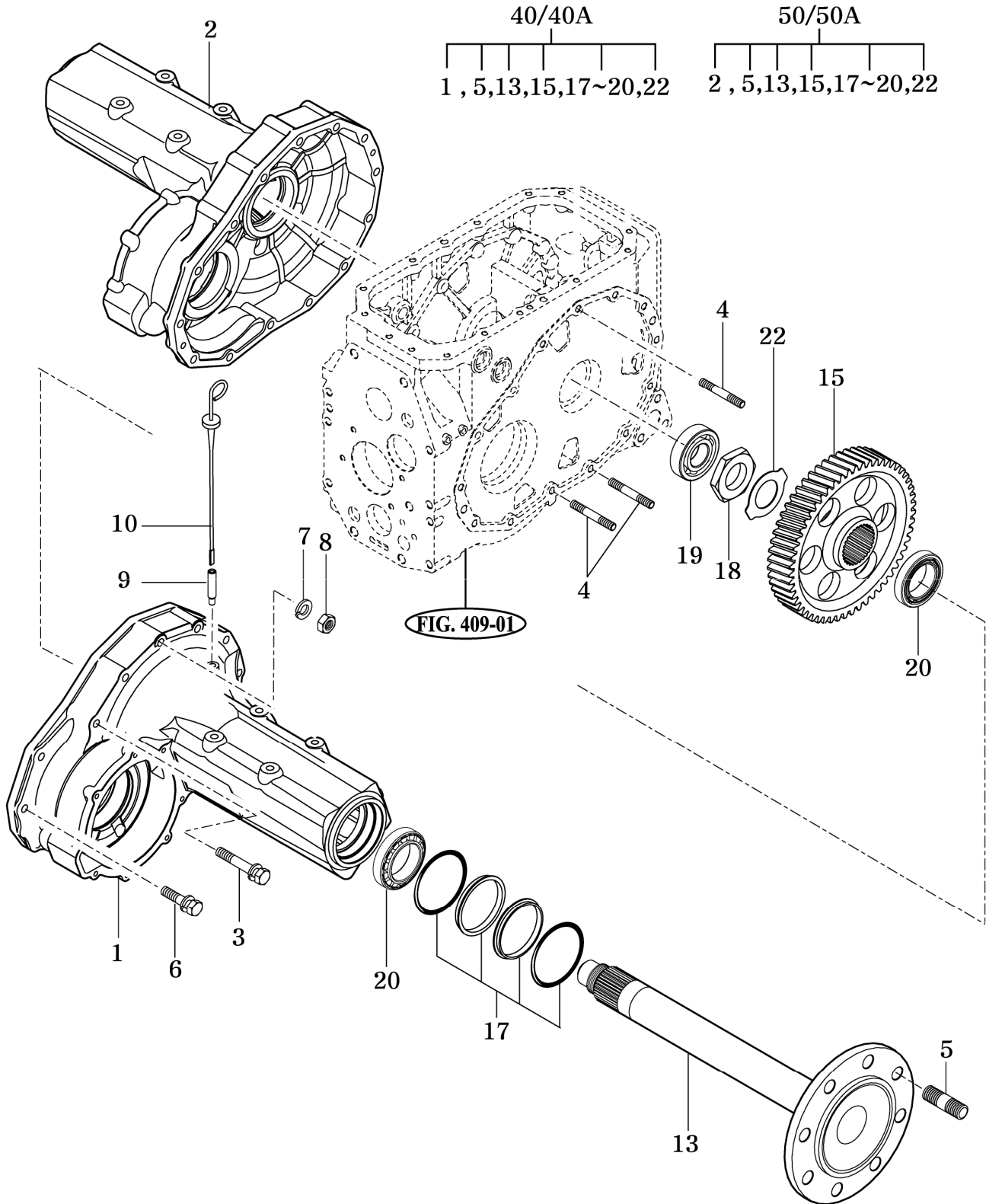


40/40A

1, 5, 13, 15, 17~20, 22

50/50A

2, 5, 13, 15, 17~20, 22



T543/T603-E-418A

NOTE

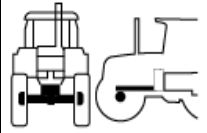
FIG 501

FRONT AXLE SUPPORT

P1

Year / Month

2007 / 07



T543/T603

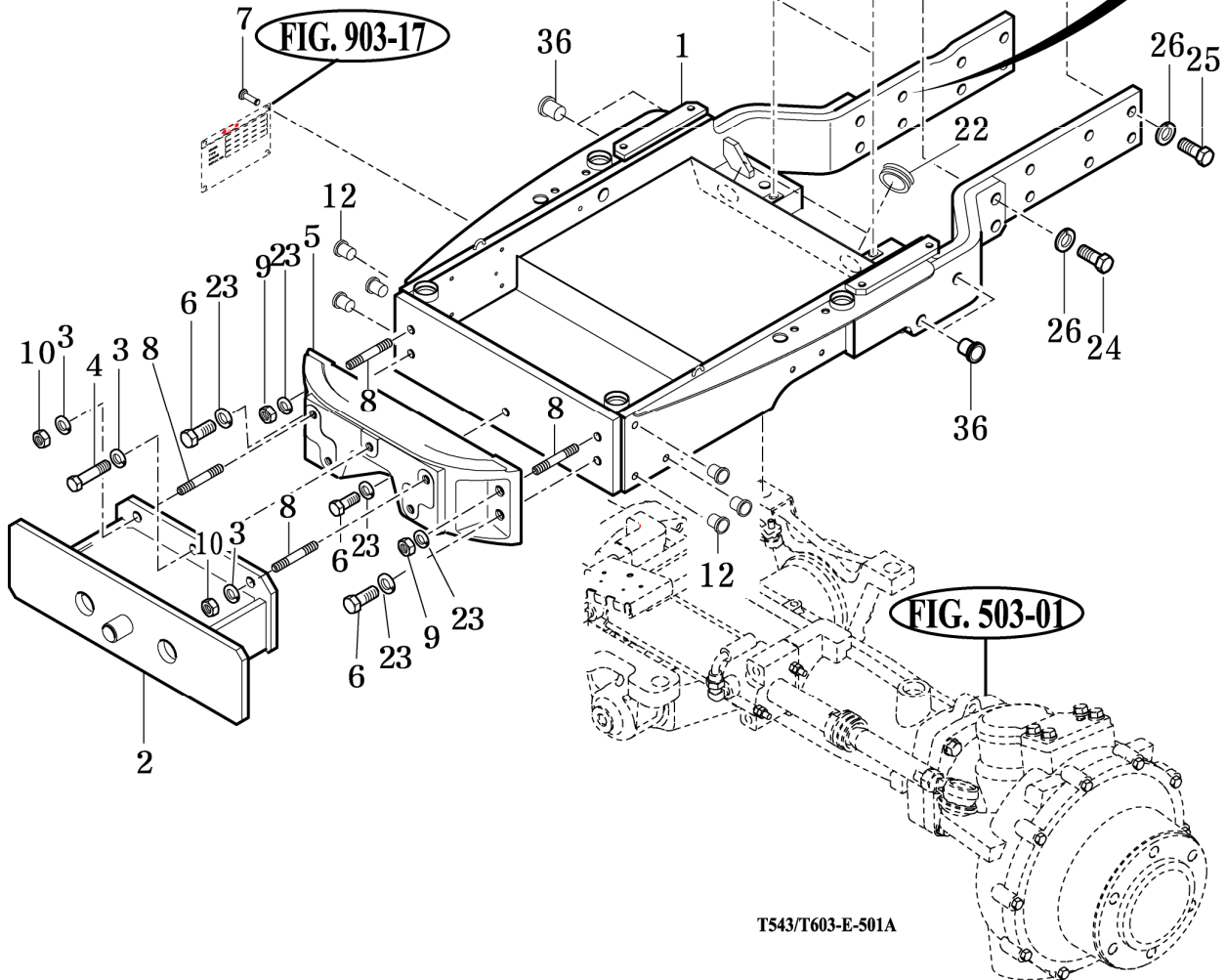
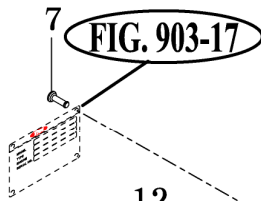
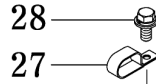
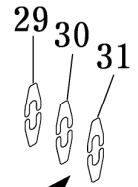
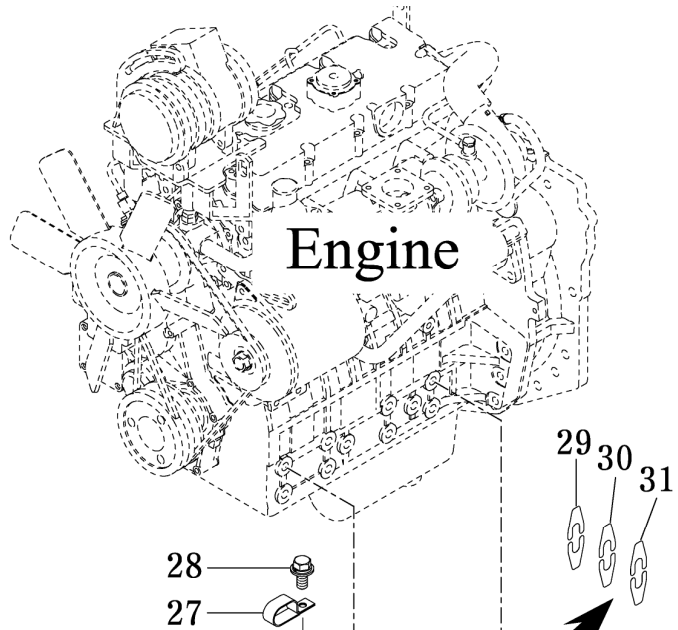
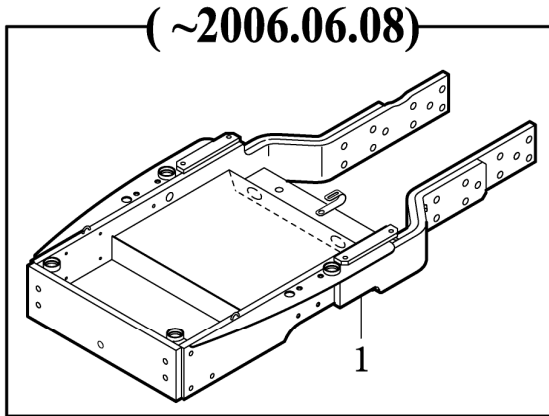


FIG. 503-01

T543/T603-E-501A

NOTE

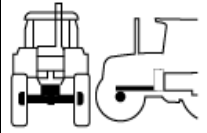
FIG 502

FRONT DRIVE SHAFT

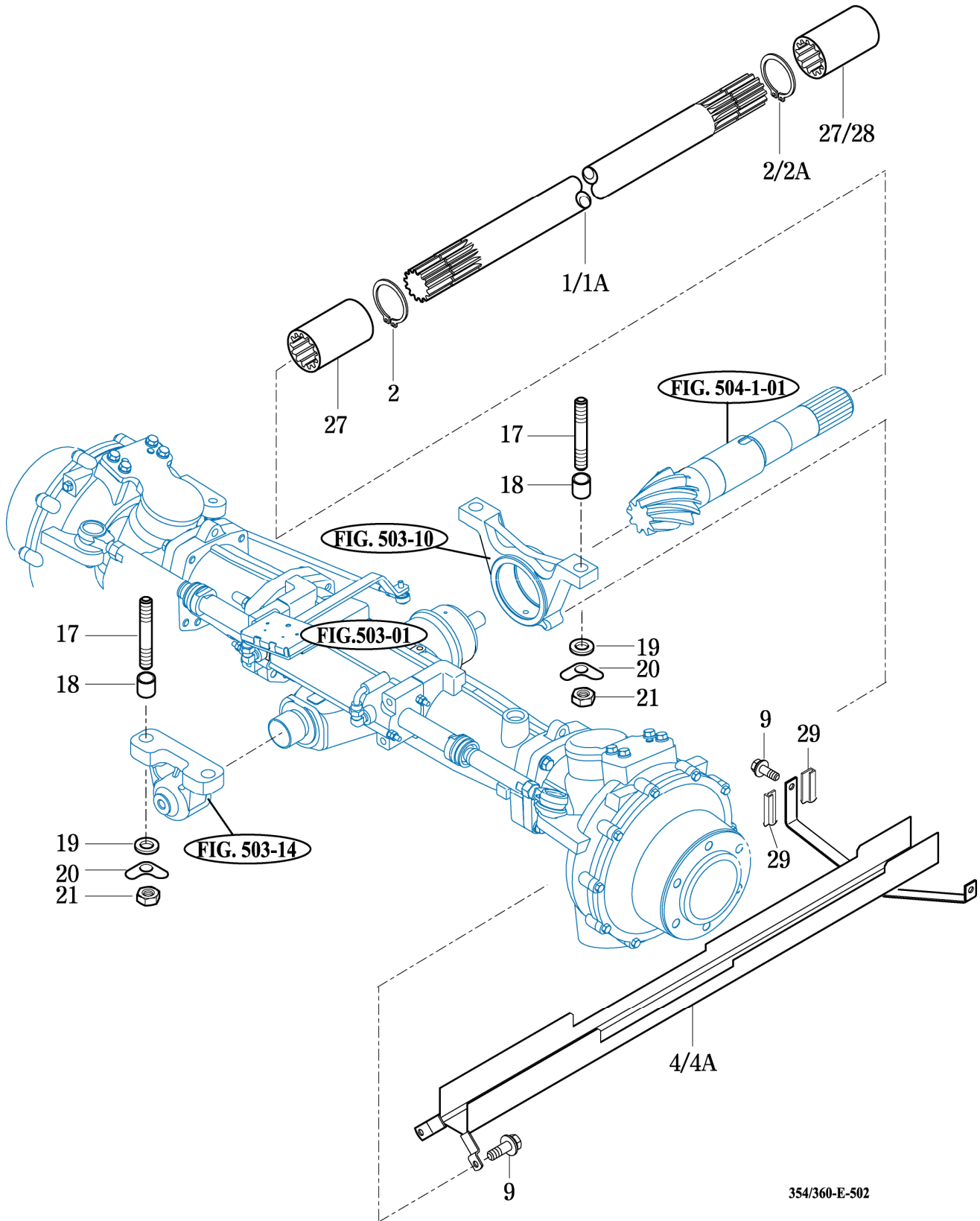
P1

Year / Month

2007 / 07



T543/T603



354/360-E-502

NOTE

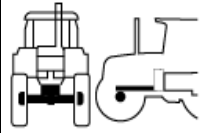
FIG 503

FRONT AXLE HOUSING

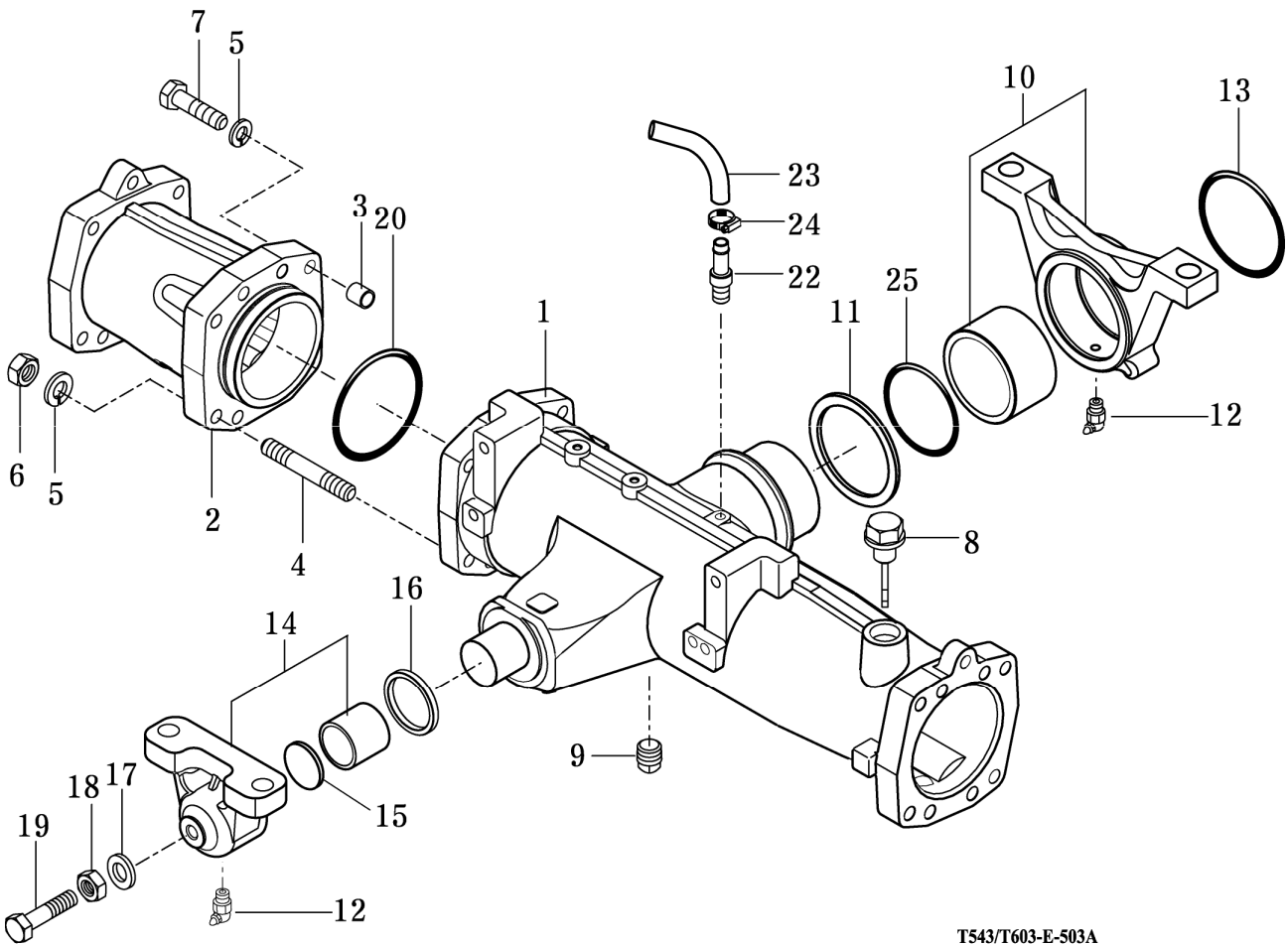
P1

Year / Month

2007 / 07



T543/T603



T543/T603-E-503A

NOTE

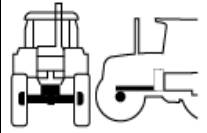
FIG 504

FRONT DIFFERENTIAL GEARS

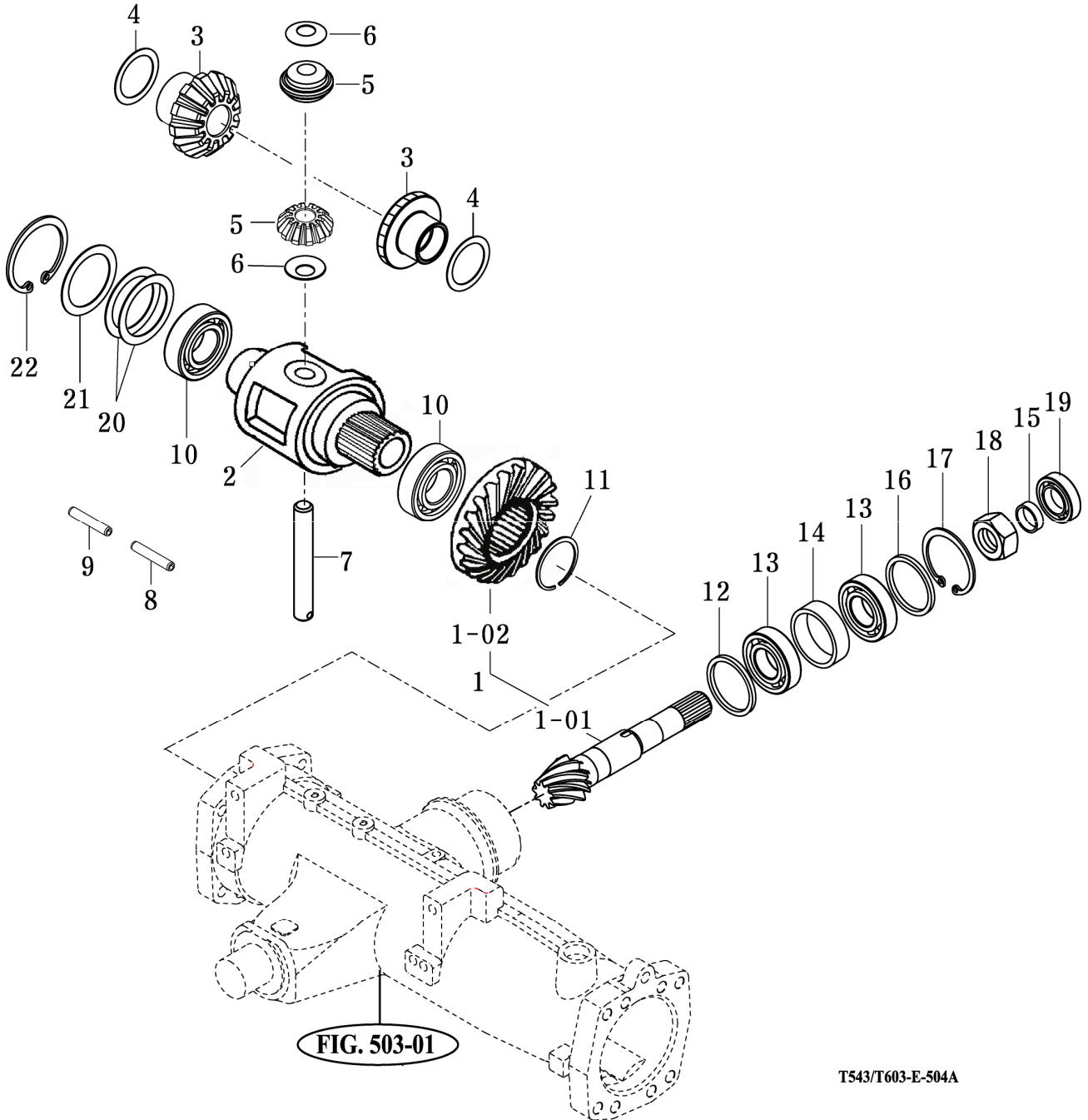
P1

Year / Month

2007 / 07



T543/T603



NOTE

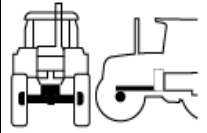
FIG 505

FRONT GEAR CASE (1)

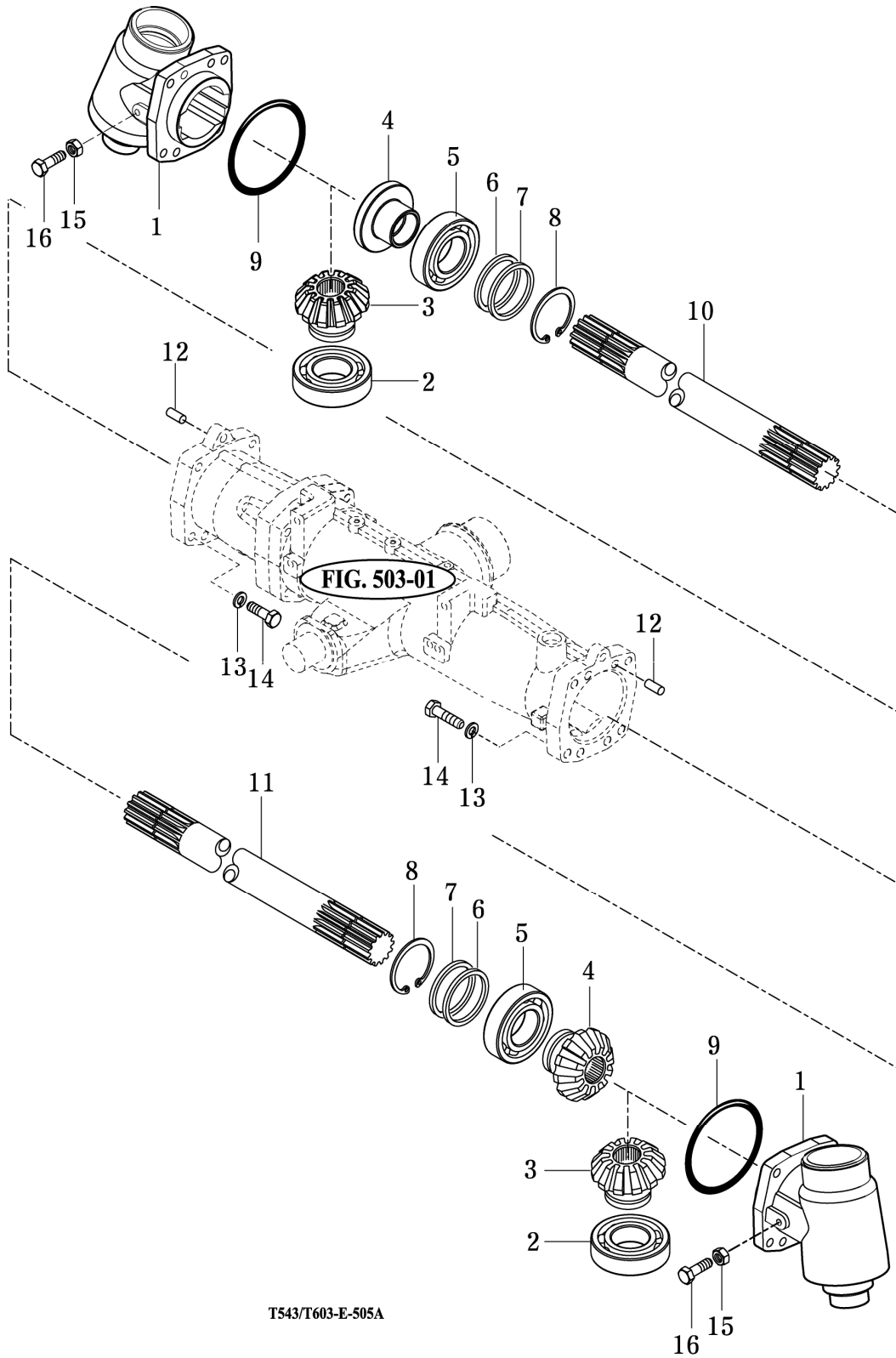
P1

Year / Month

2007 / 07



T543/T603



NOTE

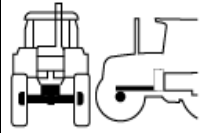
FIG 506

FRONT GEAR CASE (2)

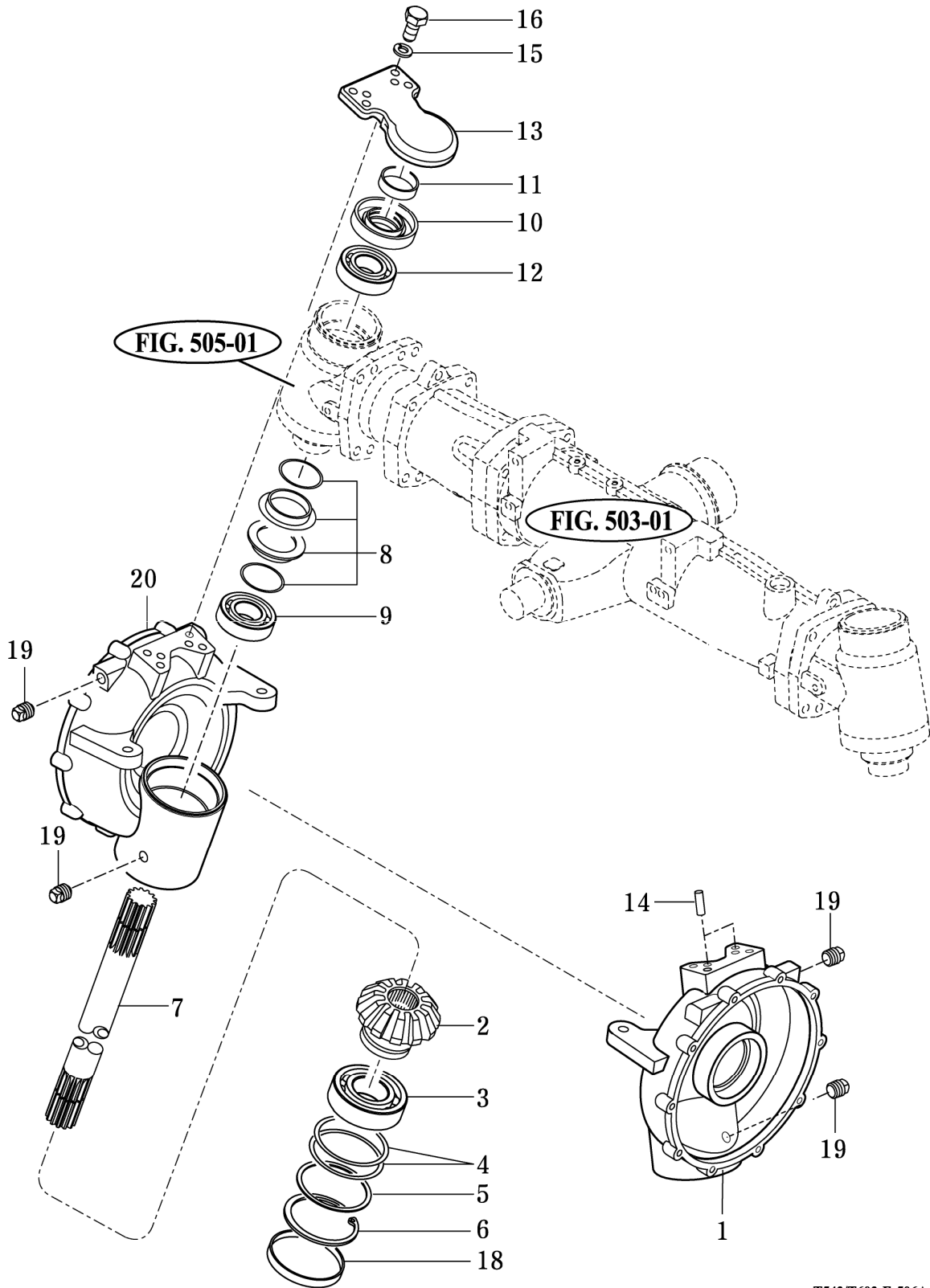
P1

Year / Month

2007 / 07



T543/T603



T543/T603-E-506A

NOTE

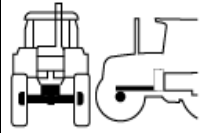
FIG 507

FRONT GEAR CASE (3)

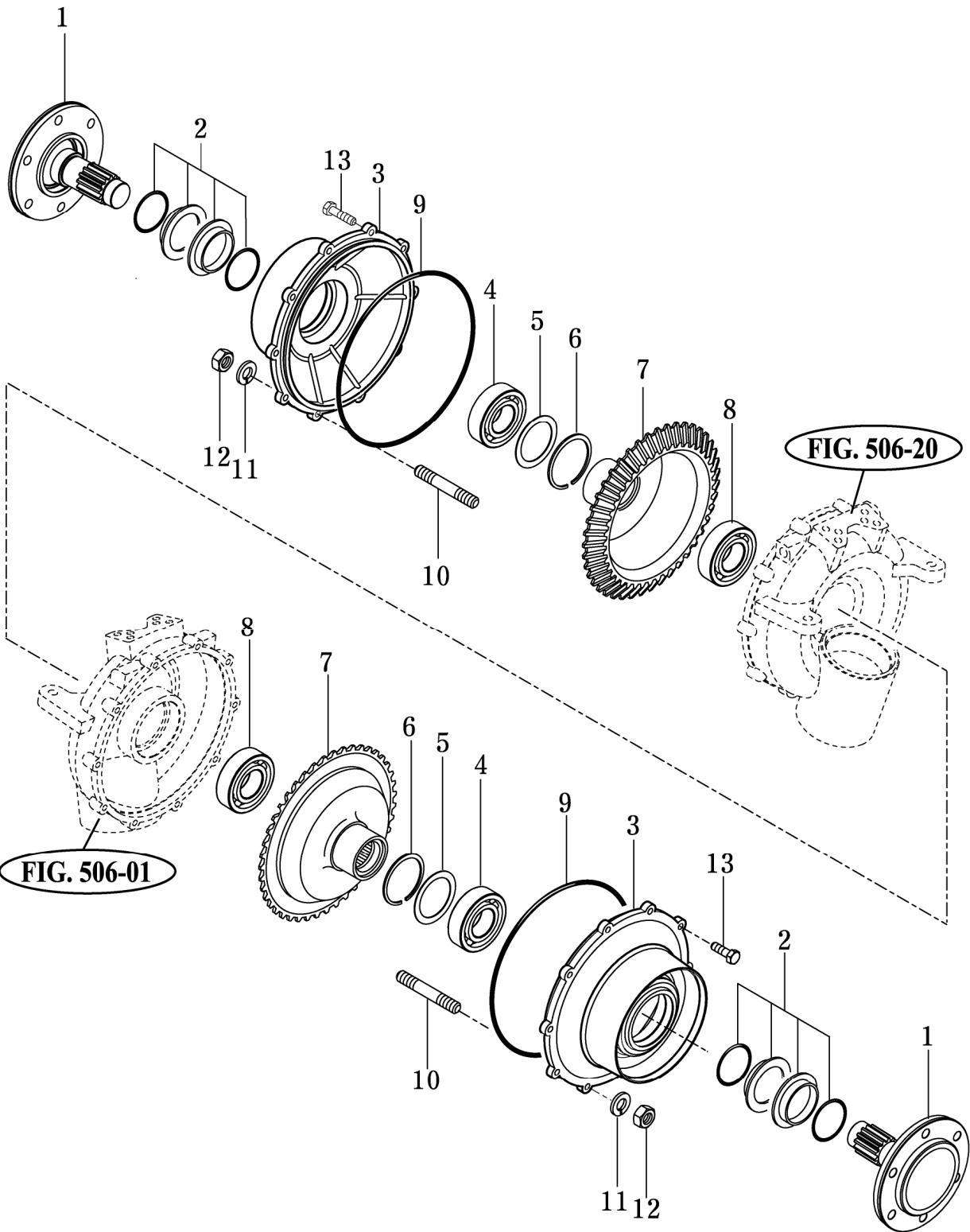
P1

Year / Month

2007 / 07



T543/T603



T543/T603-E-507A
T552/T552-E-507A

NOTE

FIG 601

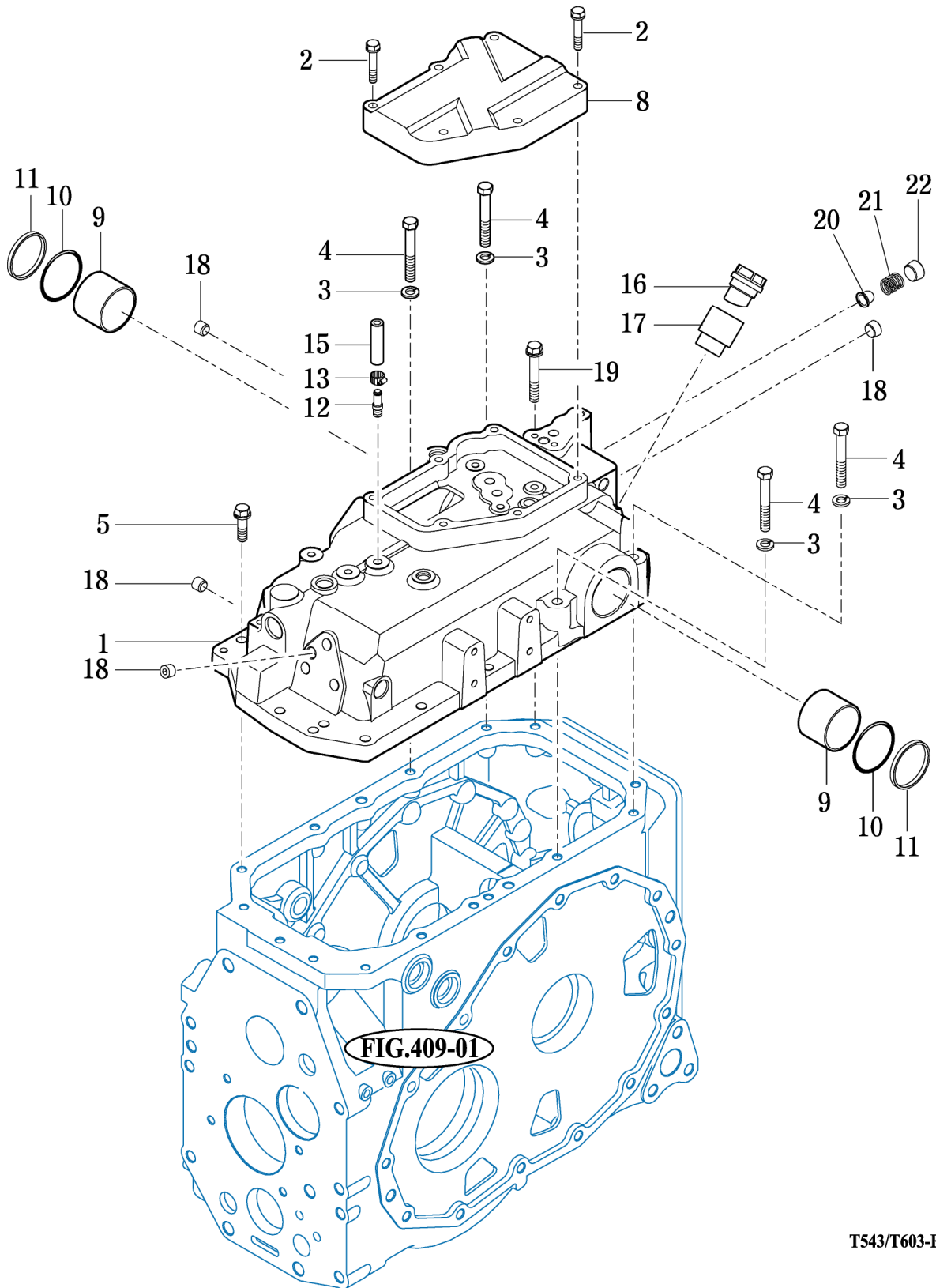
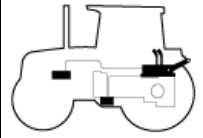
T543/T603

CYLINDER CASE

P1

Year / Month

2007 / 07



T543/T603-E-601

NOTE

FIG 602

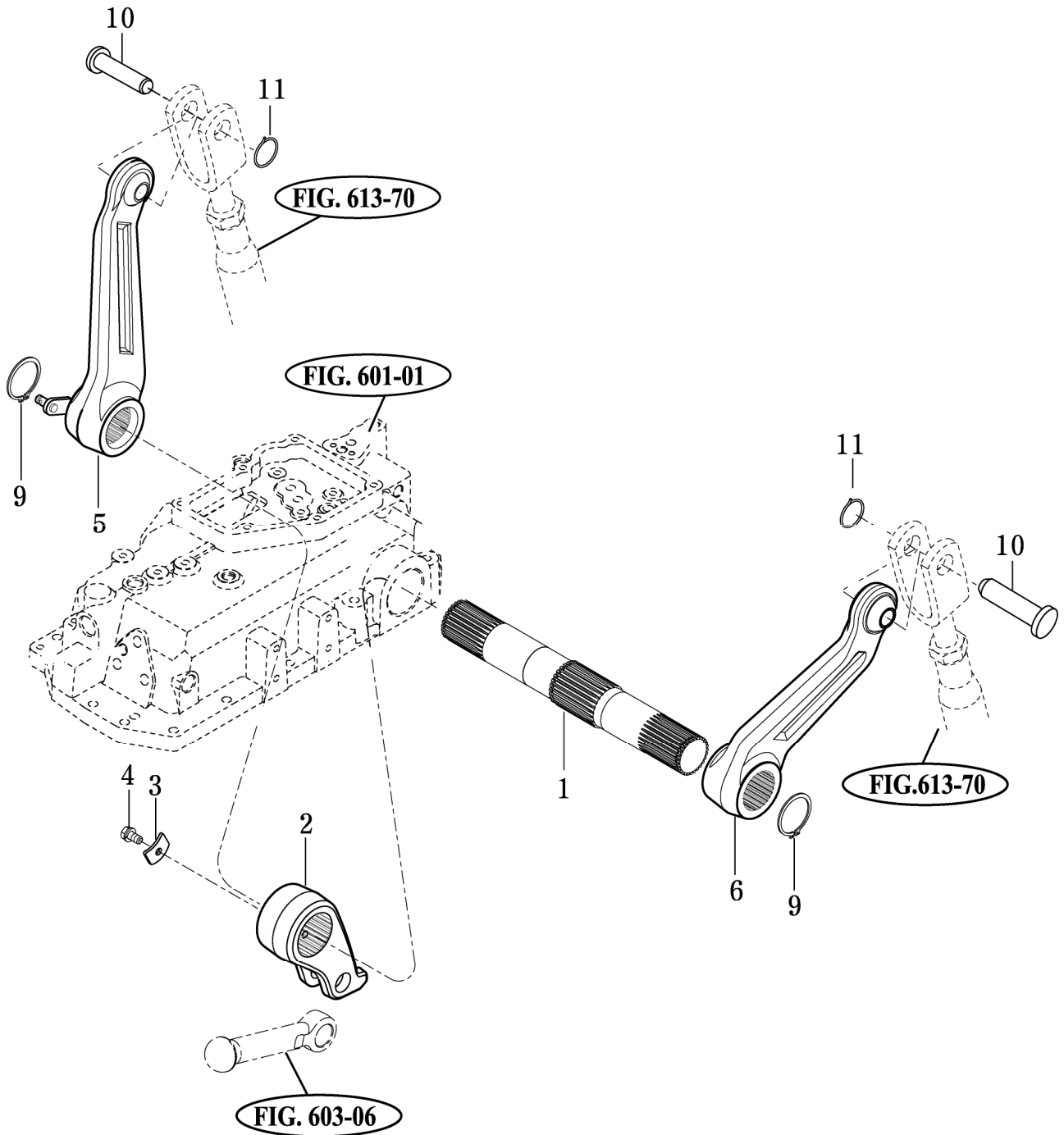
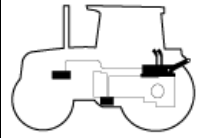
T543/T603

LIFT ARM

P1

Year / Month

2007 / 07



T543/T603-E-602A

NOTE

FIG 603

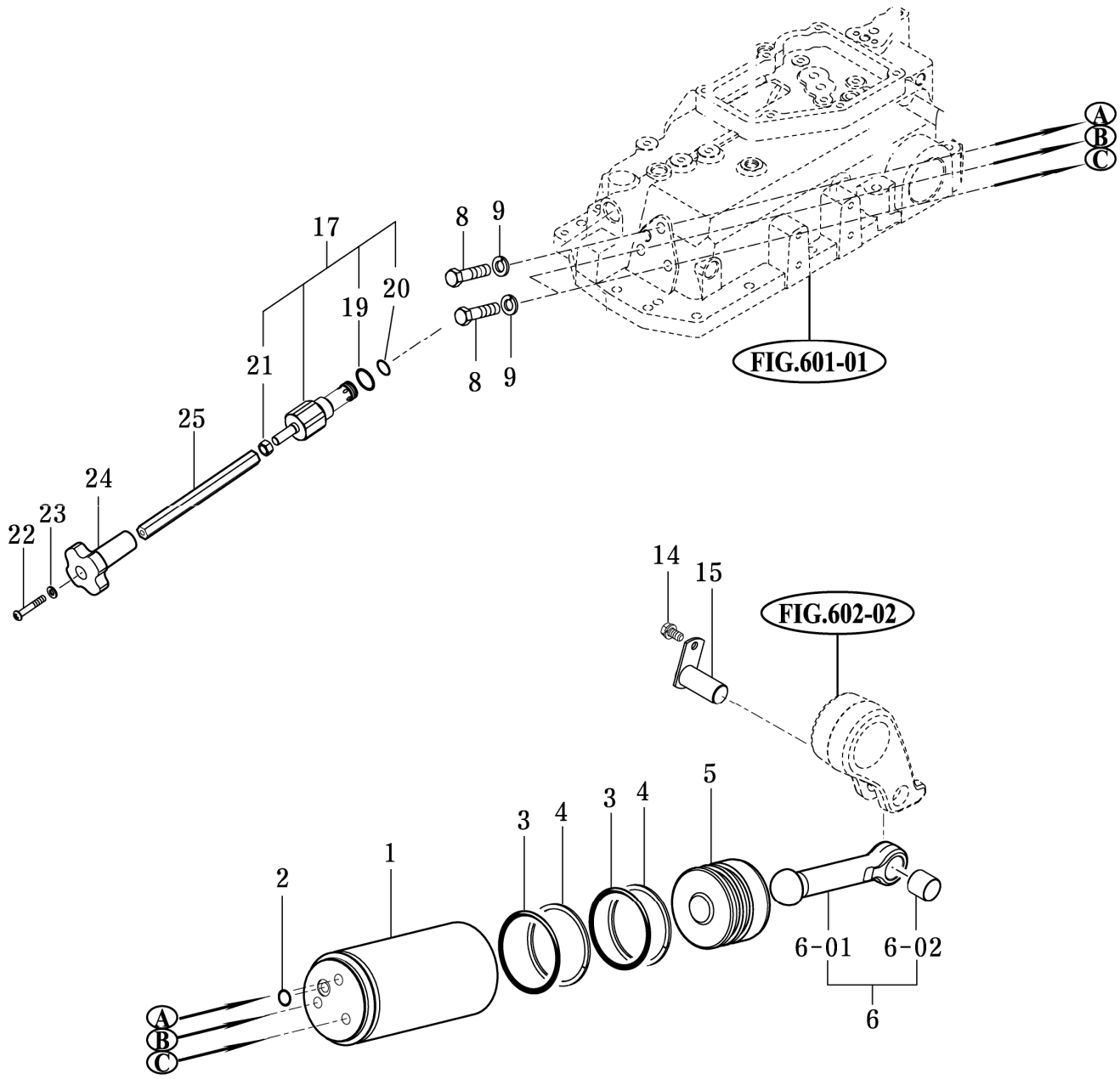
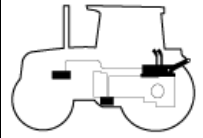
T543/T603

CYLINDER

P1

Year / Month

2007 / 07



T543/T603-E-603A

NOTE

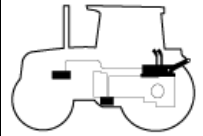
FIG 604

POSITION LINK

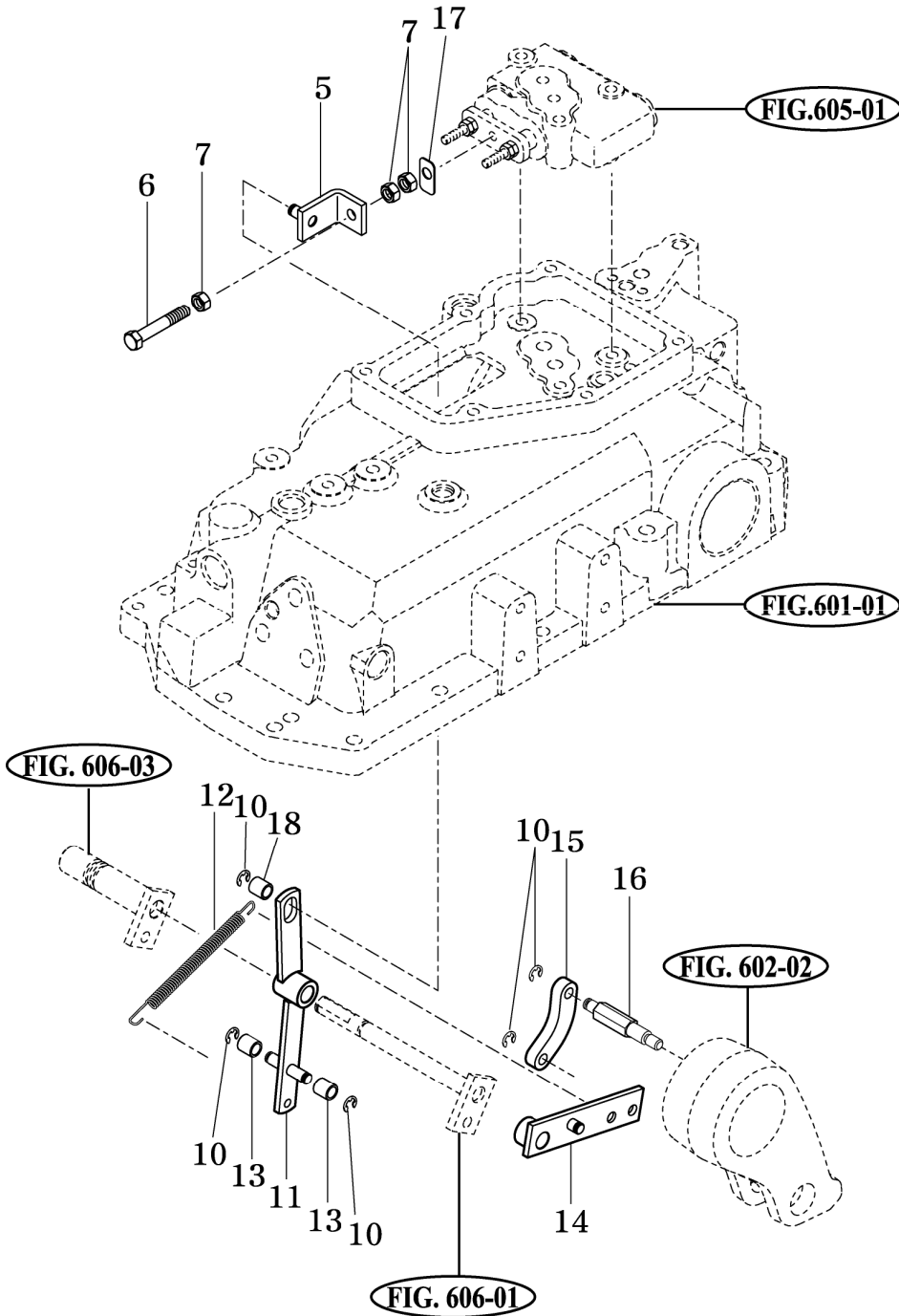
P1

Year / Month

2007 / 07



T543/T603



T543/T603-E-604A

NOTE

FIG 605

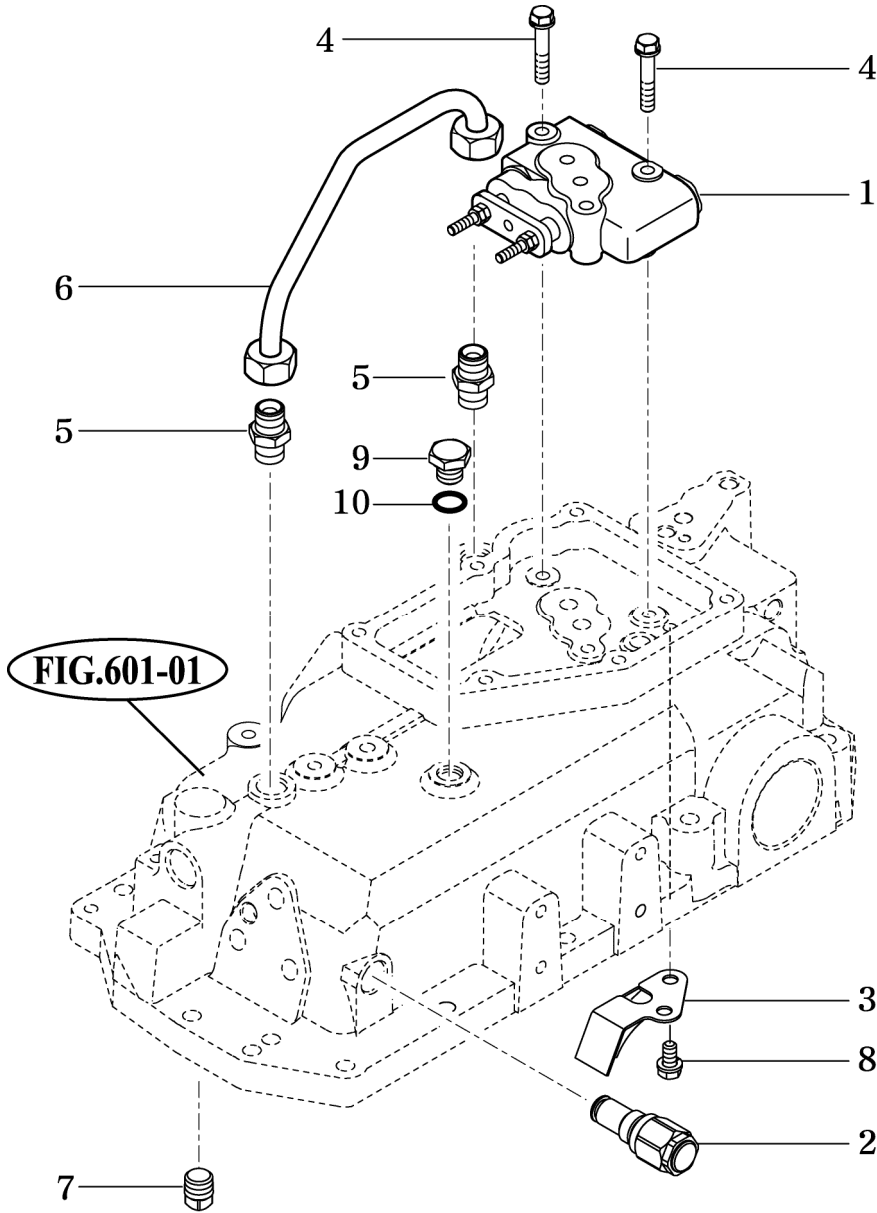
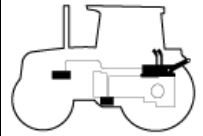
T543/T603

CONTROL VALVE

P1

Year / Month

2007 / 07



T543/T603-E-605A

NOTE

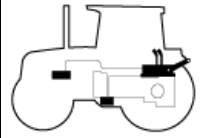
FIG 606

DRAFT LINK

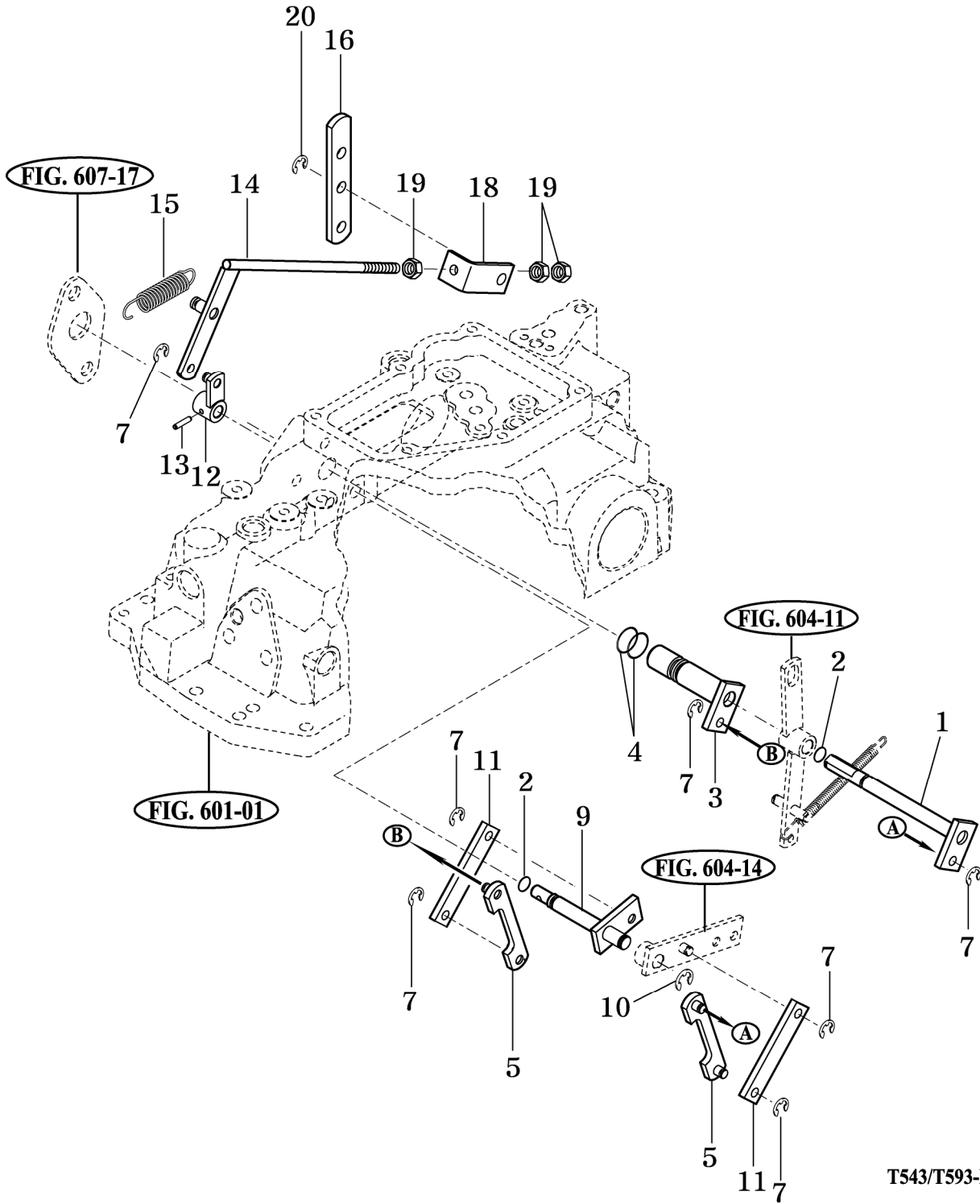
Year / Month

P1

2007 / 07



T543/T603



T543/T593-E-606A

NOTE

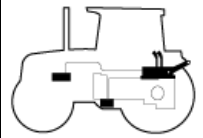
FIG 607

POSITION & DRAFT LEVER

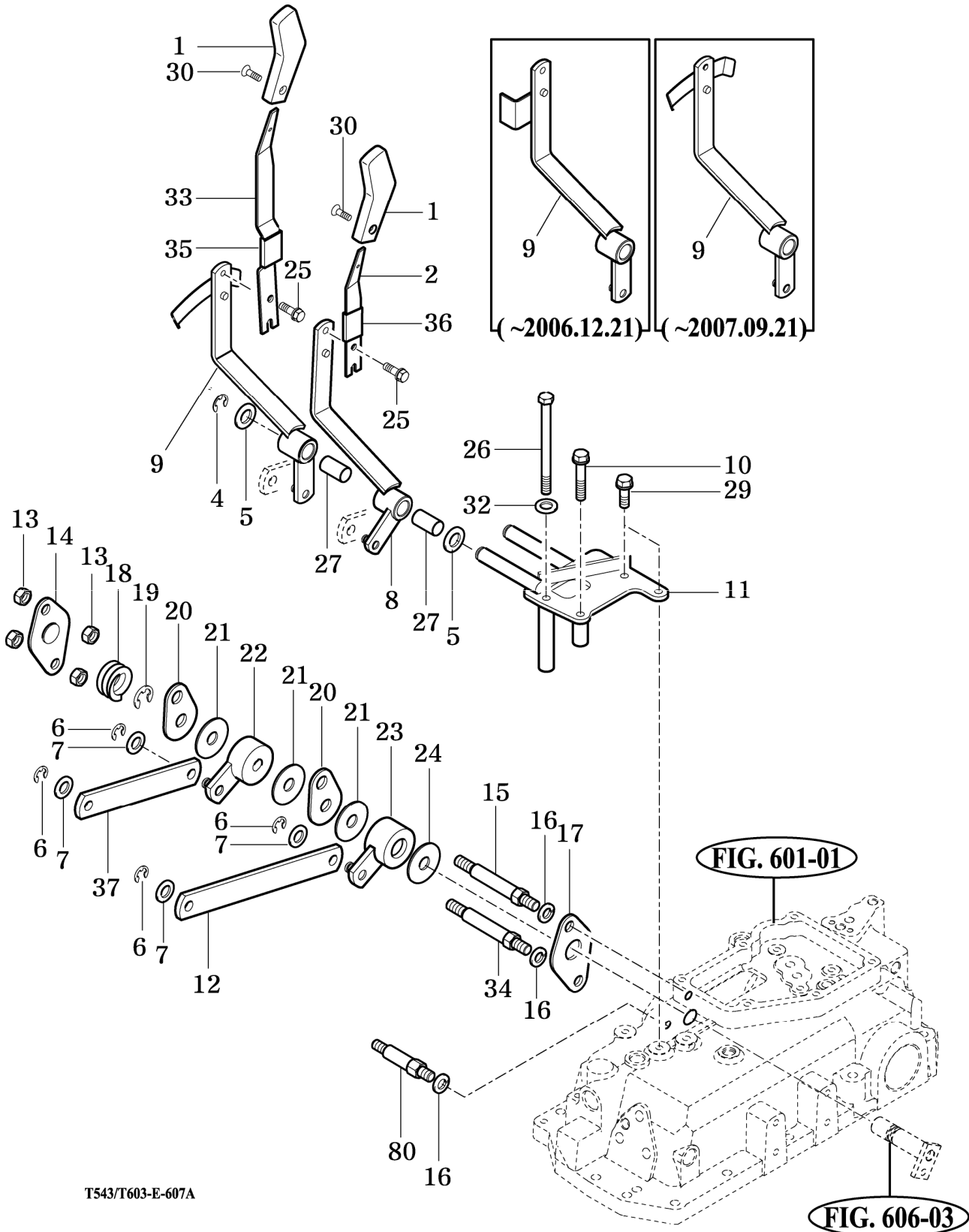
P1

Year / Month

2007 / 07



T543/T603



T543/T603-E-607A

NOTE

FIG 608

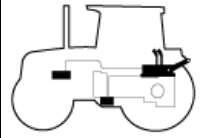
EXTERIOR HYD. VALVE

T543/T603

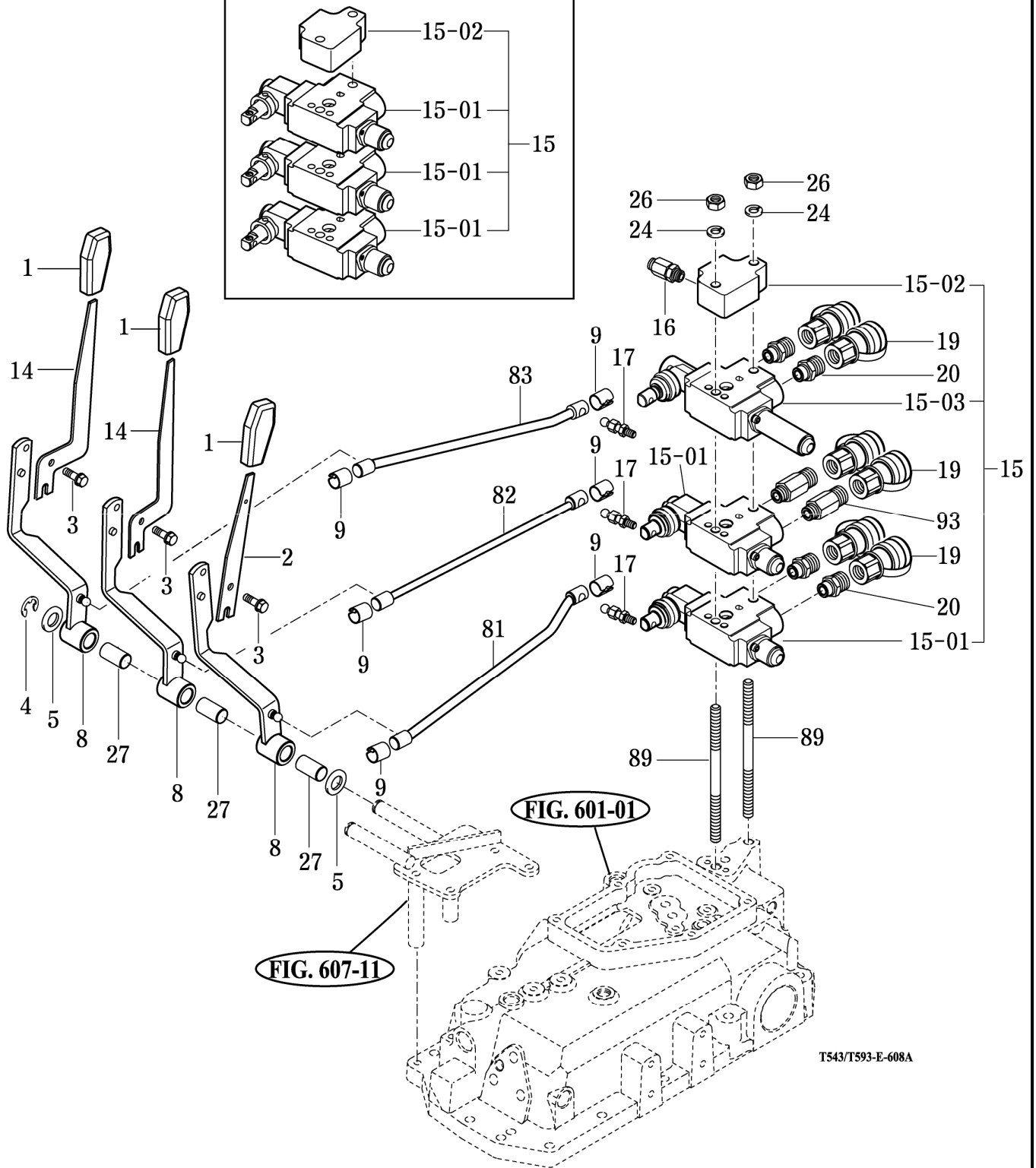
P1

Year / Month

2007 / 07



(2006.12.01 ~ 2007.01.01)



T543/T593-E-608A

NOTE

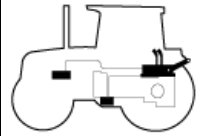
FIG 609B

HYDRAULIC PIPES-SP Only

P1

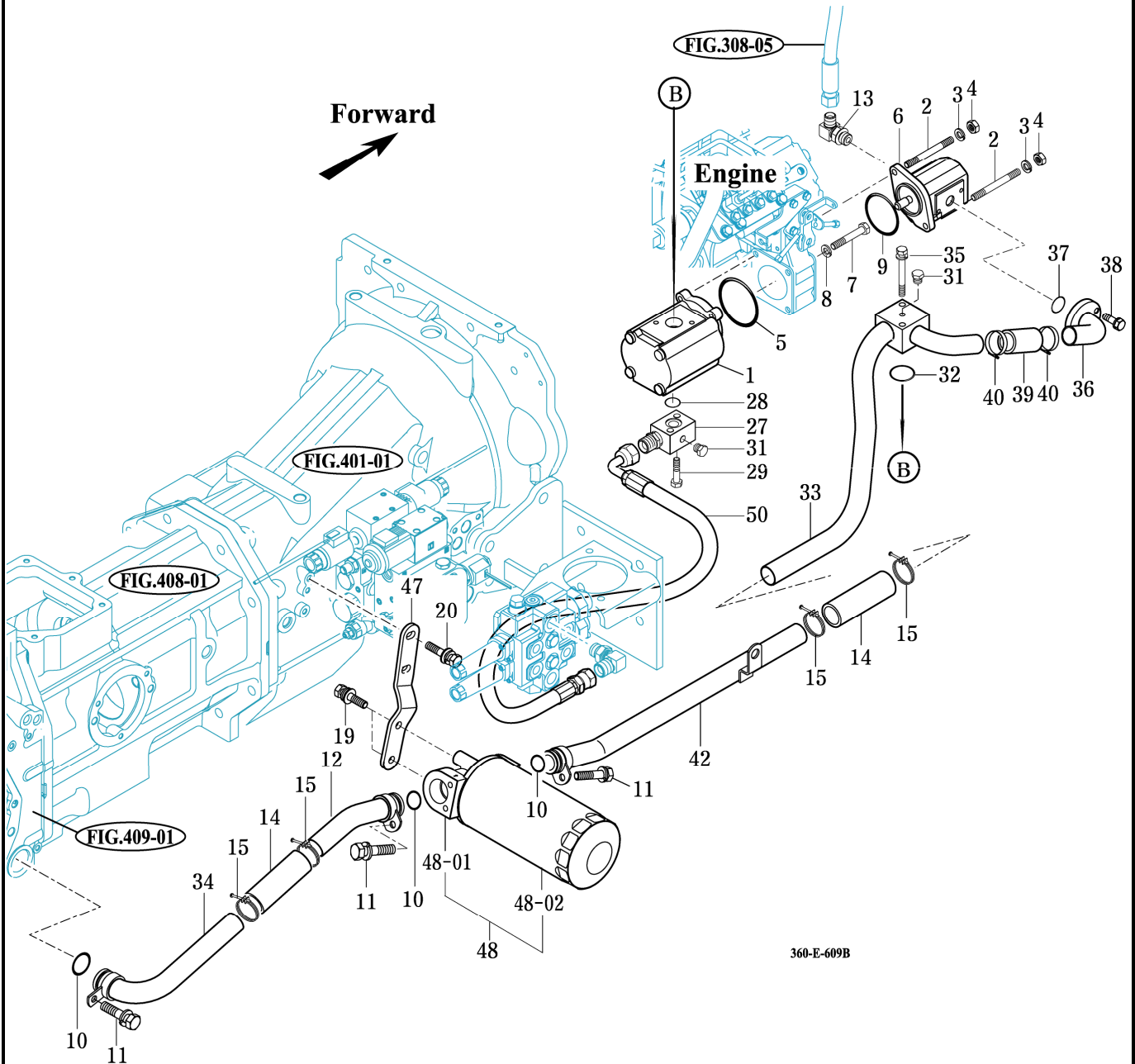
Year / Month

2007 / 07



T543/T603

Forward



360-E-609B

NOTE

* SP : Power shuttle mounting (T603SP)

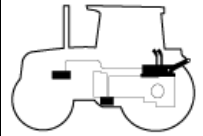
FIG 610B

JOYSTICK SET-SP Only

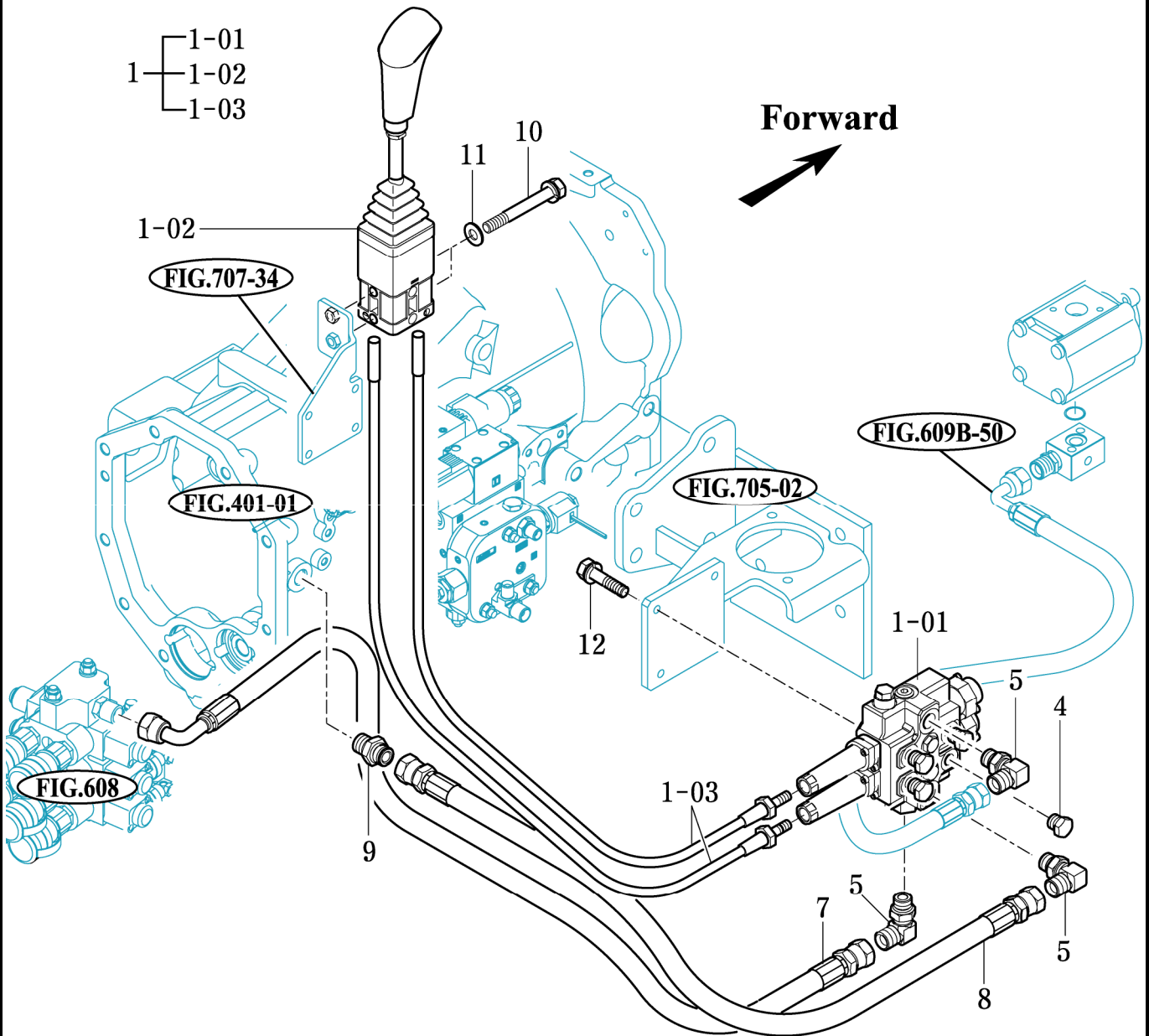
P1

Year / Month

2007 / 07



T543/T603



360-E-610B

NOTE

* SP : Power shuttle mounting (T603SP)

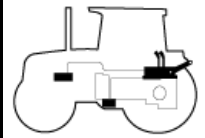
FIG 611A

HYDRAULIC HOSES-ST Only

P1

Year / Month

2007 / 07



T543/T603

To steering v/v drain
(T-PORT)

FIG.308-04

Forward

FIG.401-01

FIG.408-01

37

38

21

19

22

33

18-02

18-03

18

19

20

40

32 39

32 36

40

FIG.409-01

FIG.609-27

T543/T603-E-611A

NOTE

* ST : a Standard type (T543ST/T603ST)

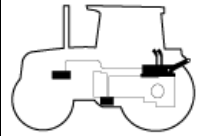
FIG 611B

HYDRAULIC HOSES-SP Only

Year / Month

P1

2007 / 07



T543/T603

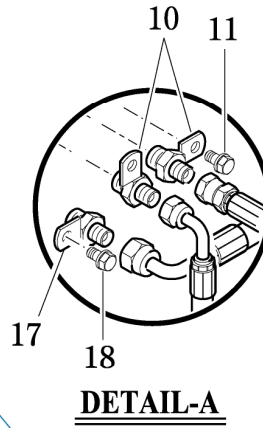
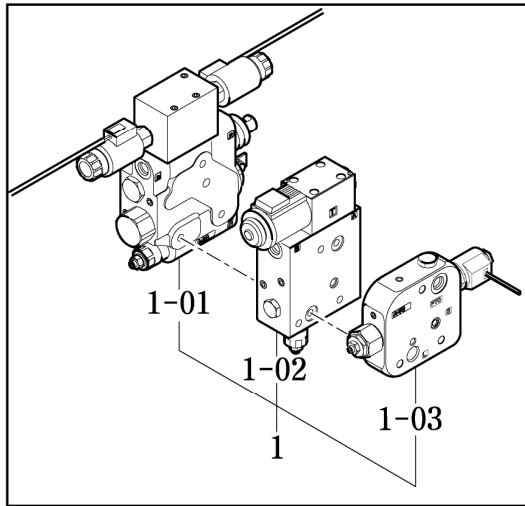


FIG.401-01

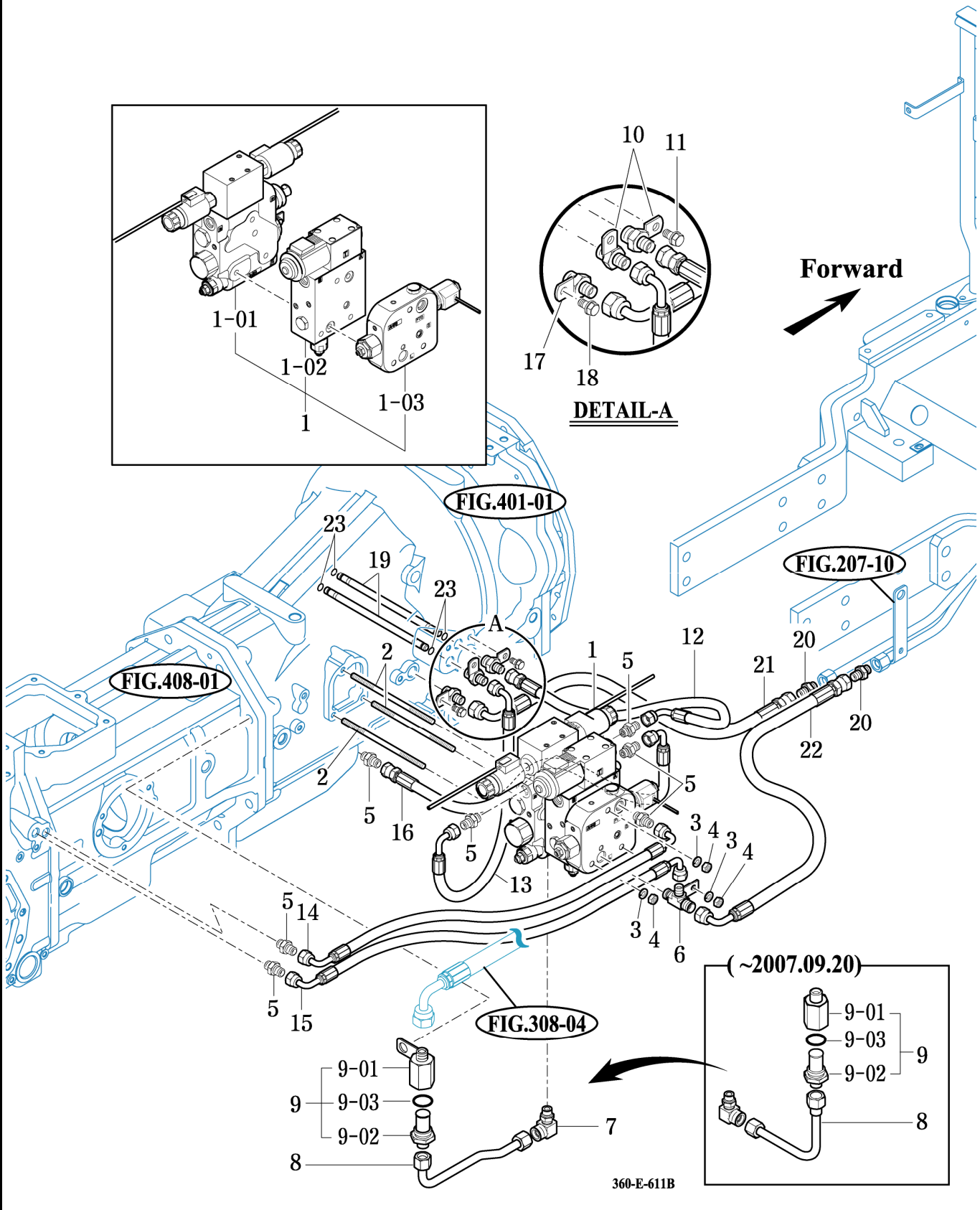
FIG.207-10

FIG.408-01

A

FIG.308-04

(~2007.09.20)



360-E-611B

NOTE

* SP : Power shuttle mounting (T603SP)

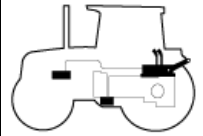
FIG 612A

HITCH & 3-POINT LINK

P1

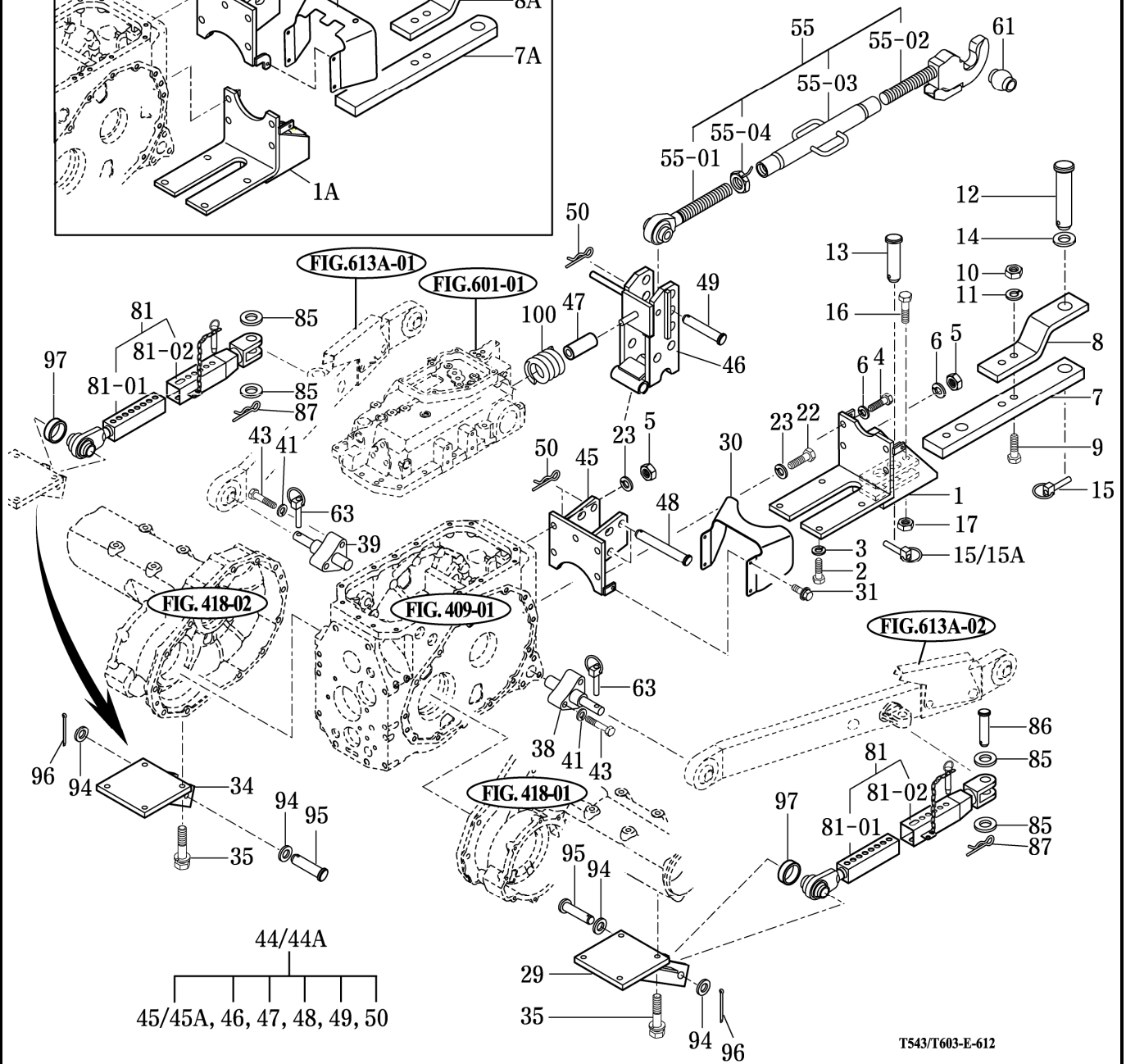
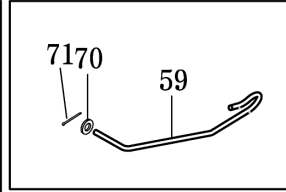
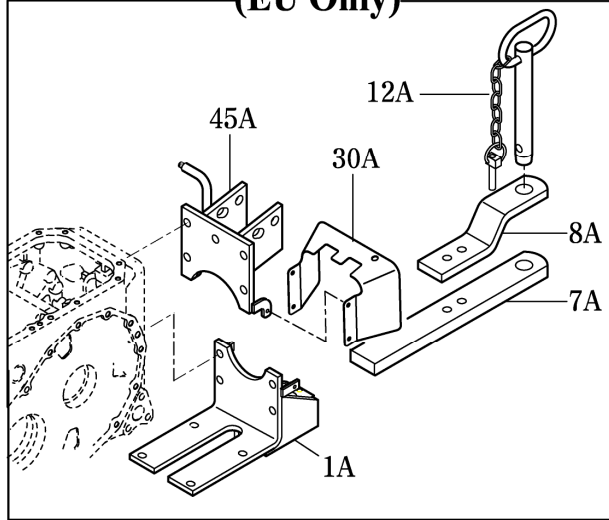
Year / Month

2007 / 07



T543/T603

(EU Only)



44/44A
45/45A, 46, 47, 48, 49, 50

T543/T603-E-612

NOTE

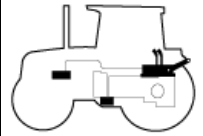
FIG 612A

HITCH & 3-POINT LINK

P2

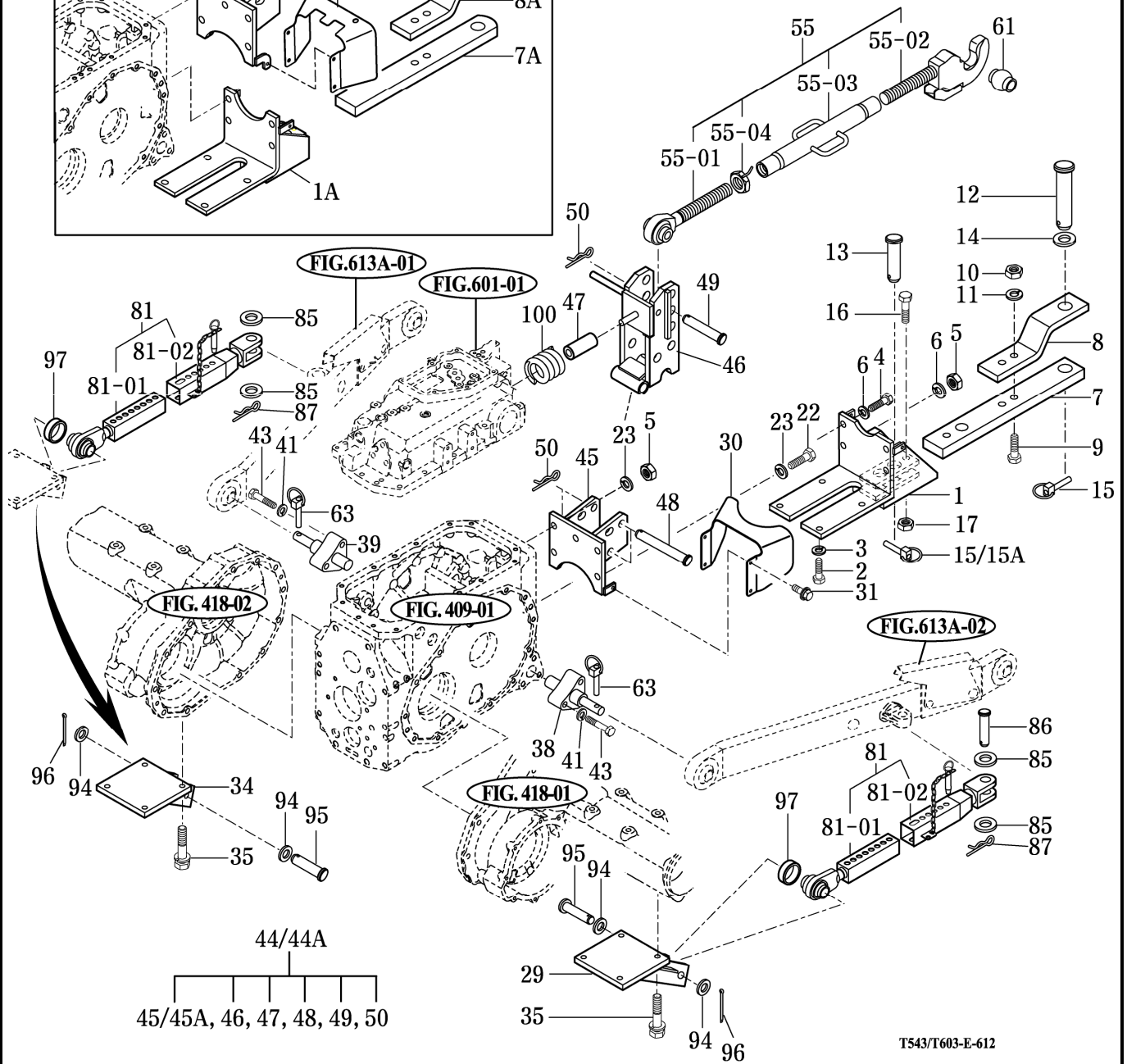
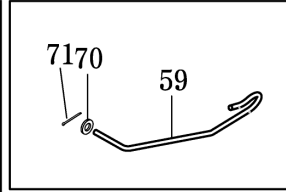
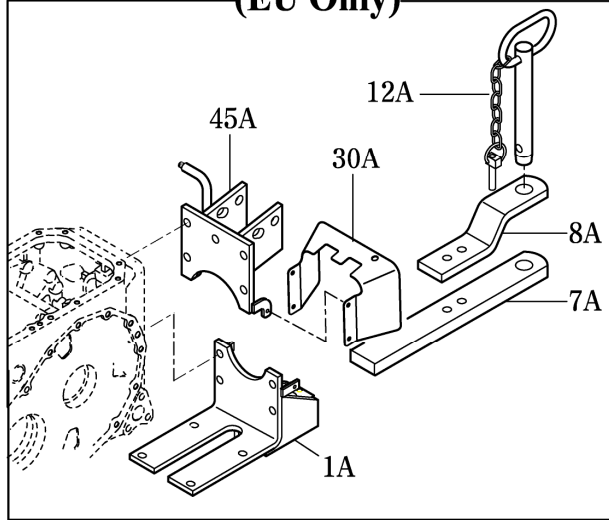
Year / Month

2007 / 07



T543/T603

(EU Only)



NOTE

T543/T603-E-612

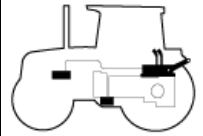
FIG 612B

HITCH & 3-POINT LINK

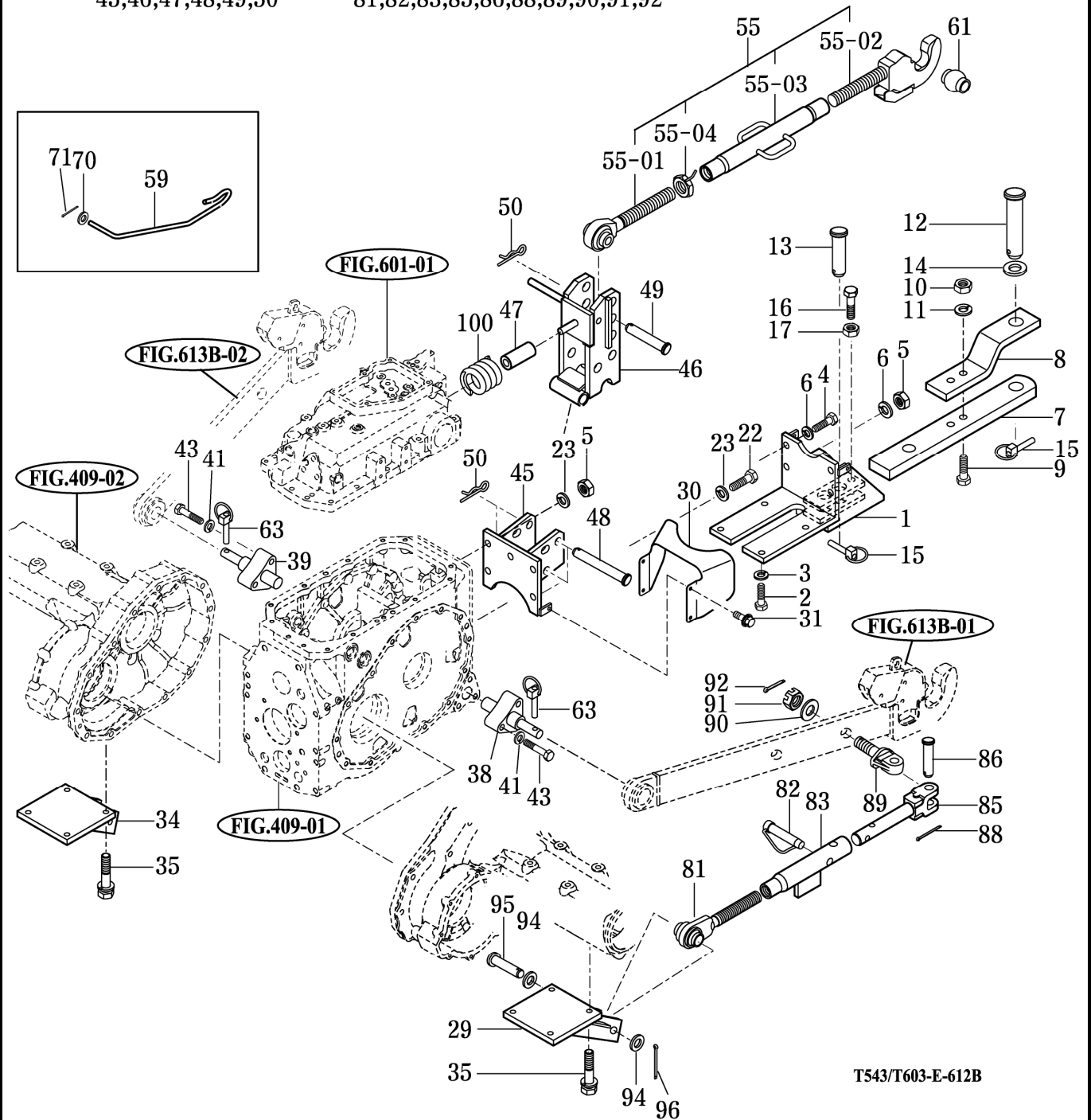
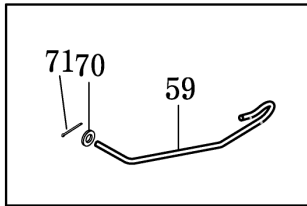
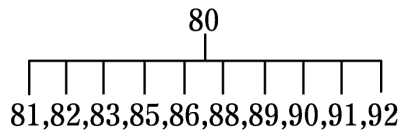
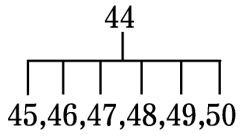
P1

Year / Month

2007 / 07



T543/T603



T543/T603-E-612B

NOTE

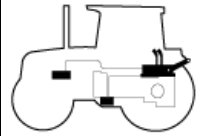
FIG 612B

HITCH & 3-POINT LINK

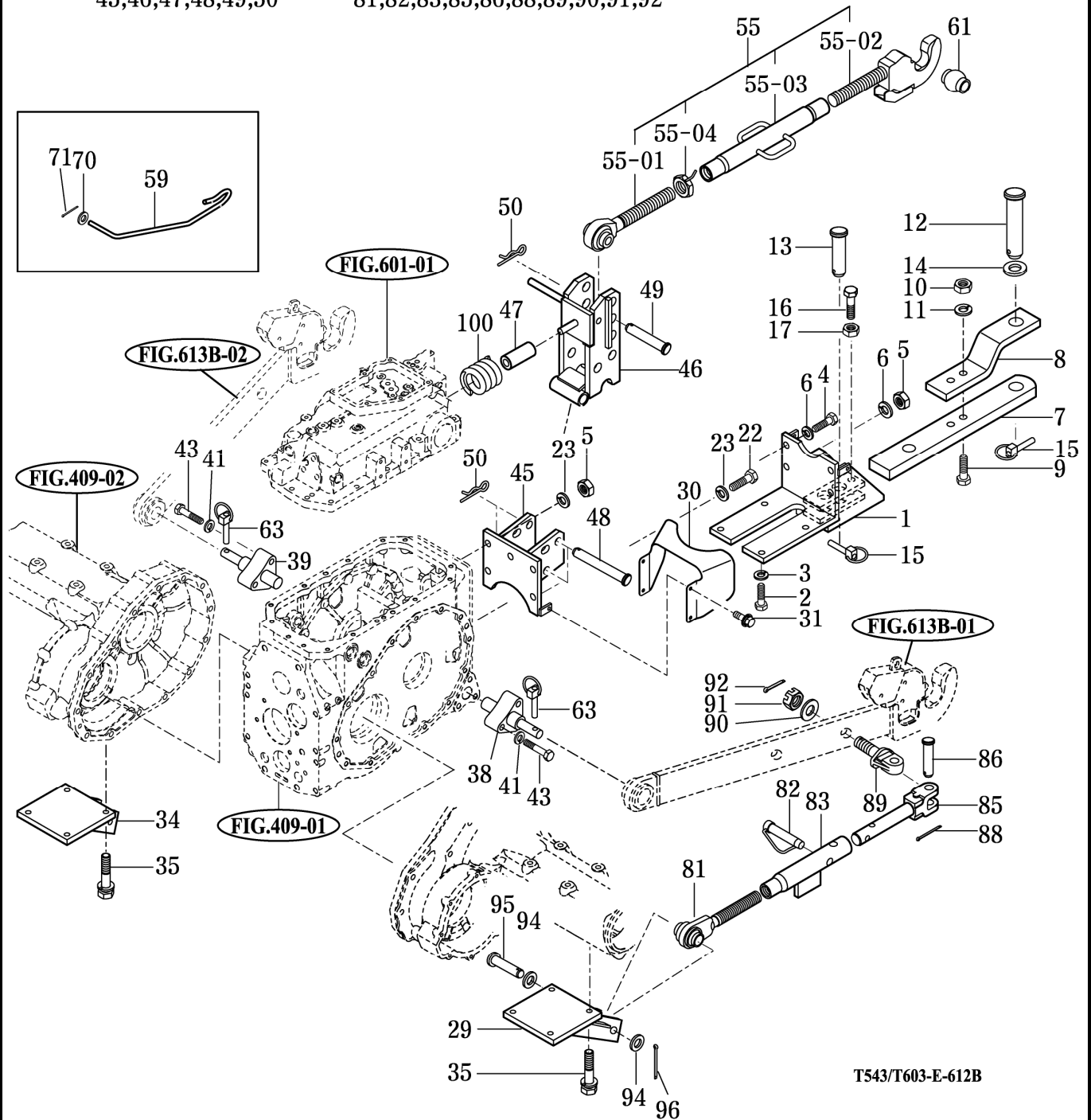
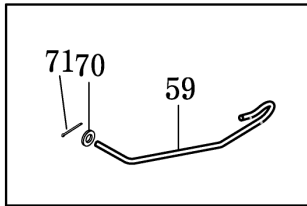
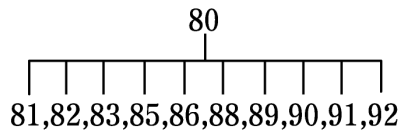
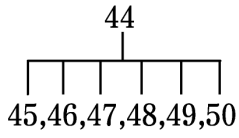
P2

Year / Month

2007 / 07



T543/T603



T543/T603-E-612B

NOTE

FIG 613A

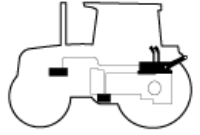
LOWER LINK & LIFT ROD

T543/T603

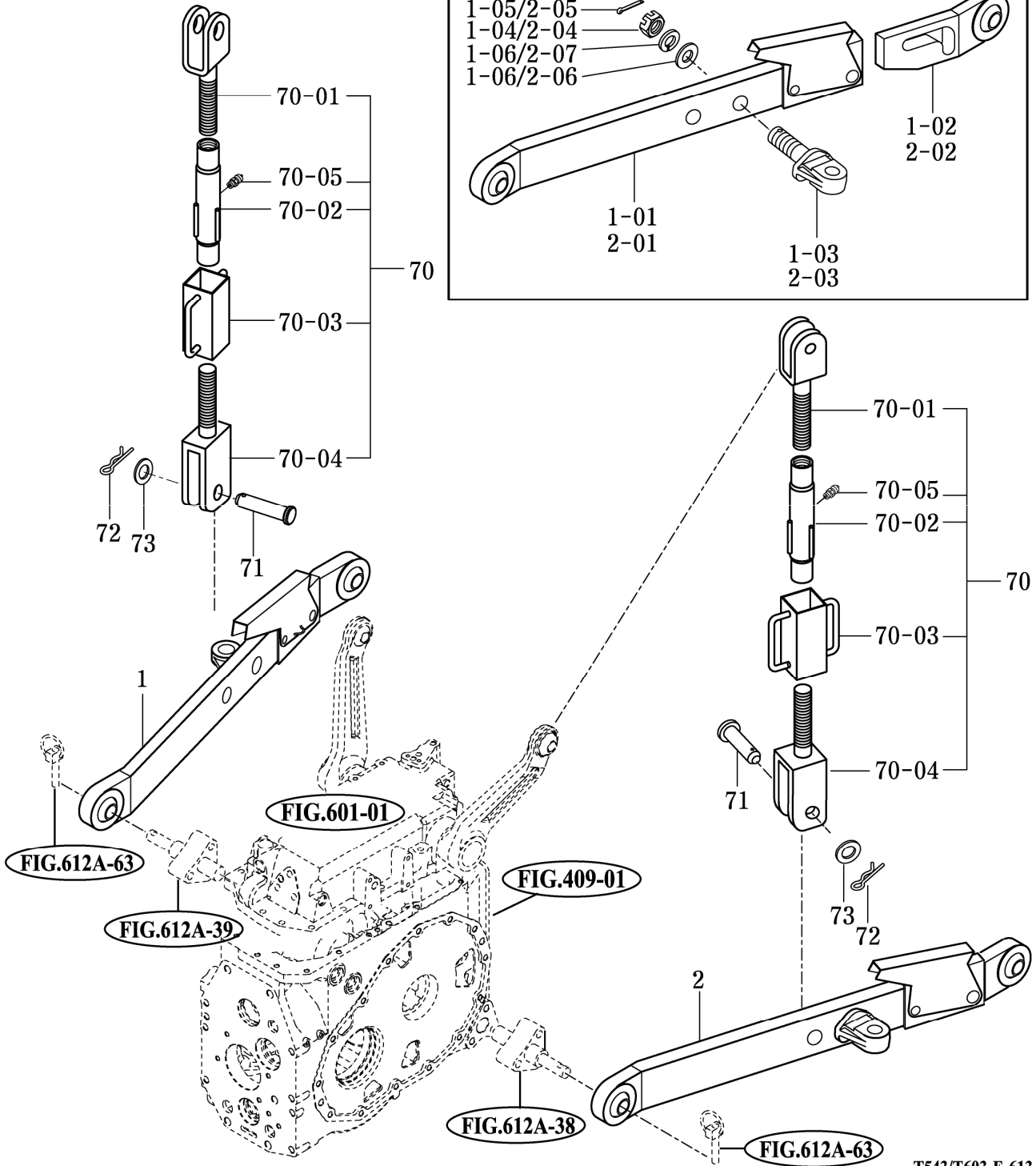
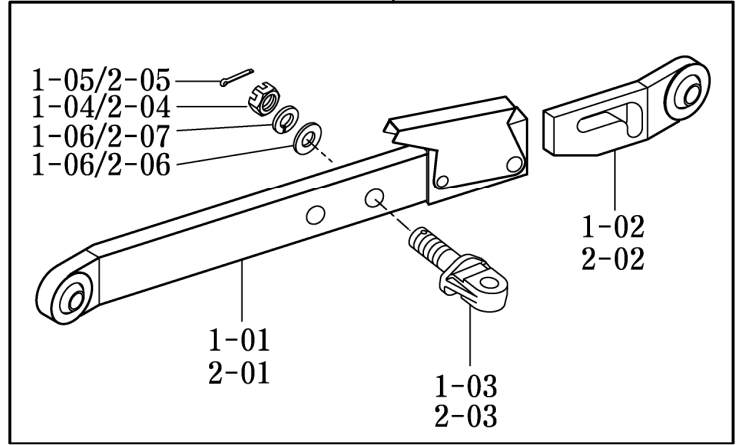
P1

Year / Month

2007 / 07



1,2



T543/T603-E-613A

NOTE

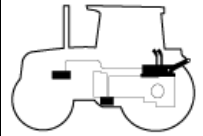
FIG 613B

LOWER LINK & LIFT ROD

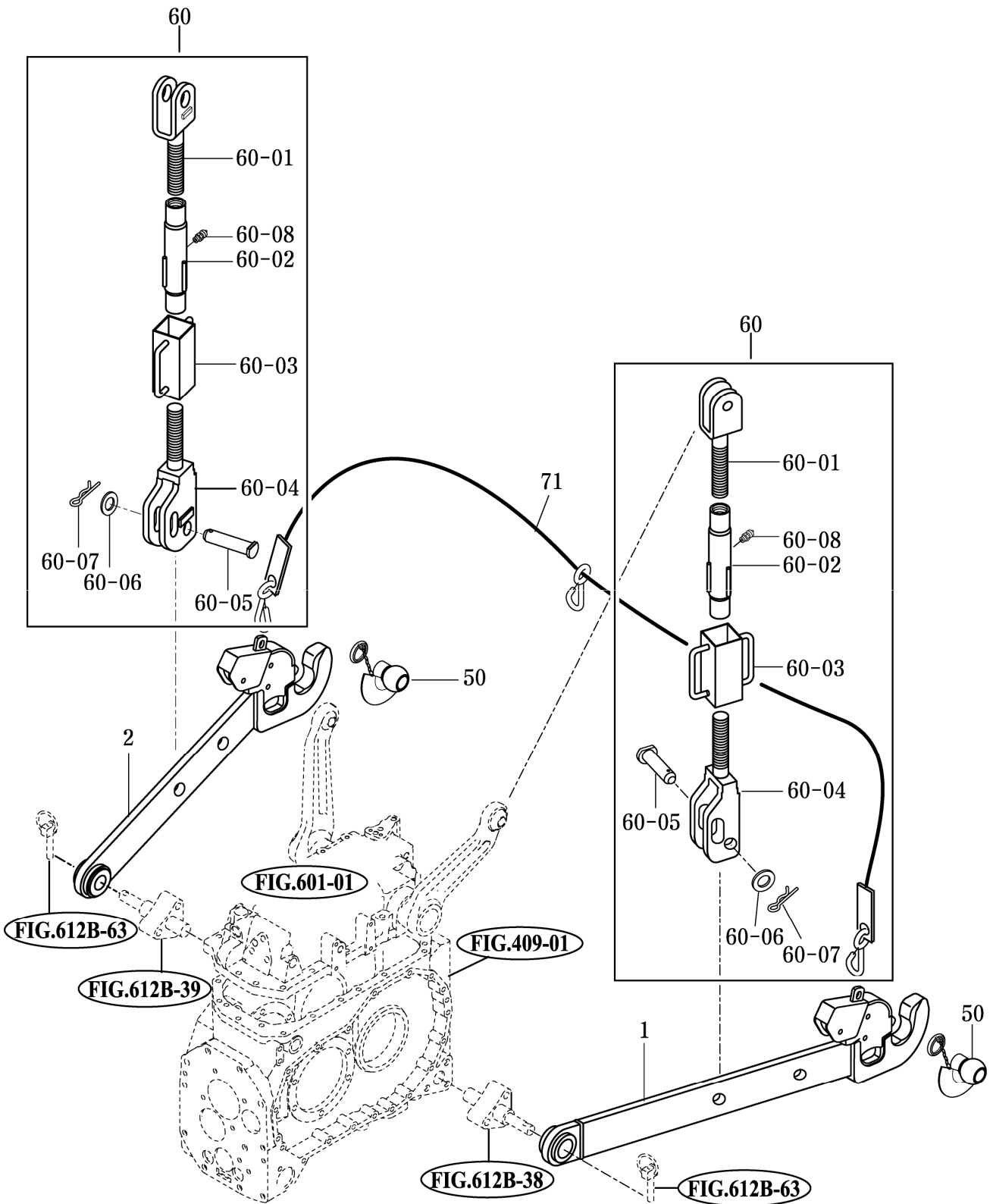
P1

Year / Month

2007 / 07



T543/T603



T543/603-E-613

NOTE

FIG 701

BONNET (1)

P1

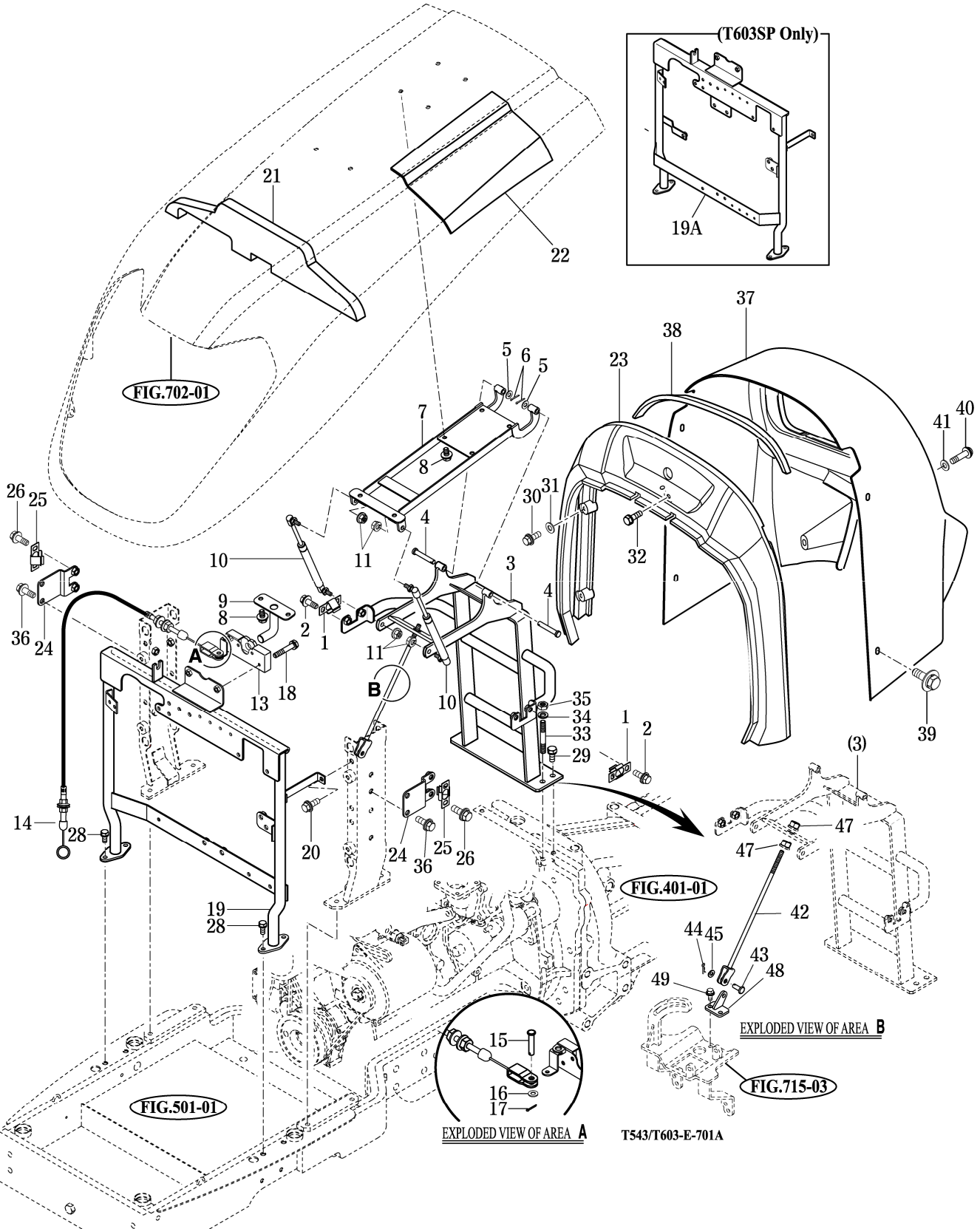
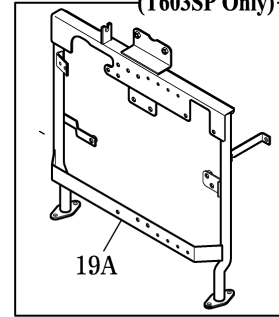
Year / Month

2007 / 07



T543/T603

(T603SP Only)



T543/T603-E-701A

NOTE

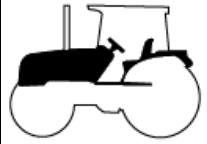
FIG 701

BONNET (1)

P2

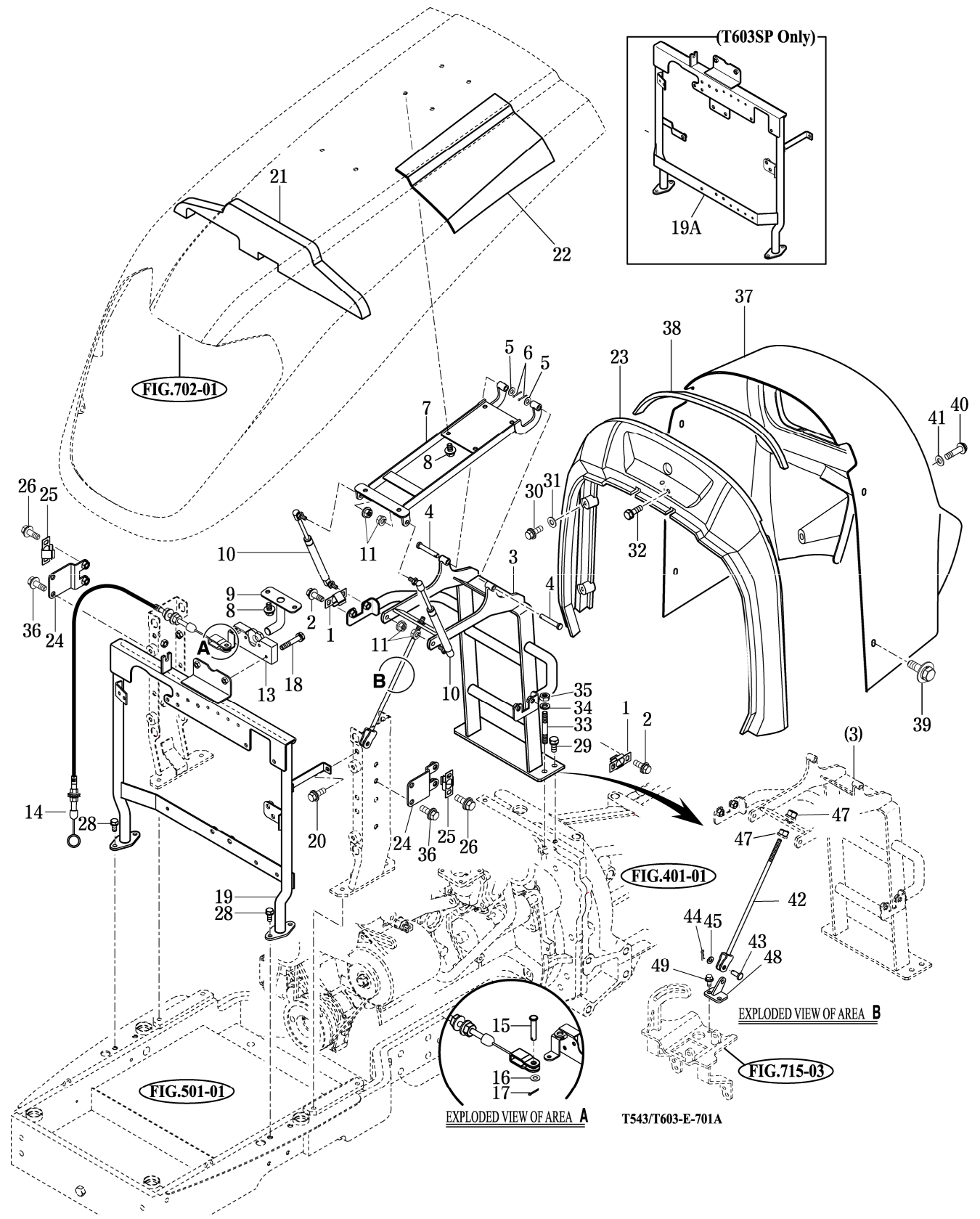
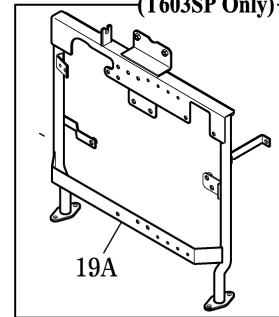
Year / Month

2007 / 07



T543/T603

(T603SP Only)



NOTE

FIG 702

BONNET (2)

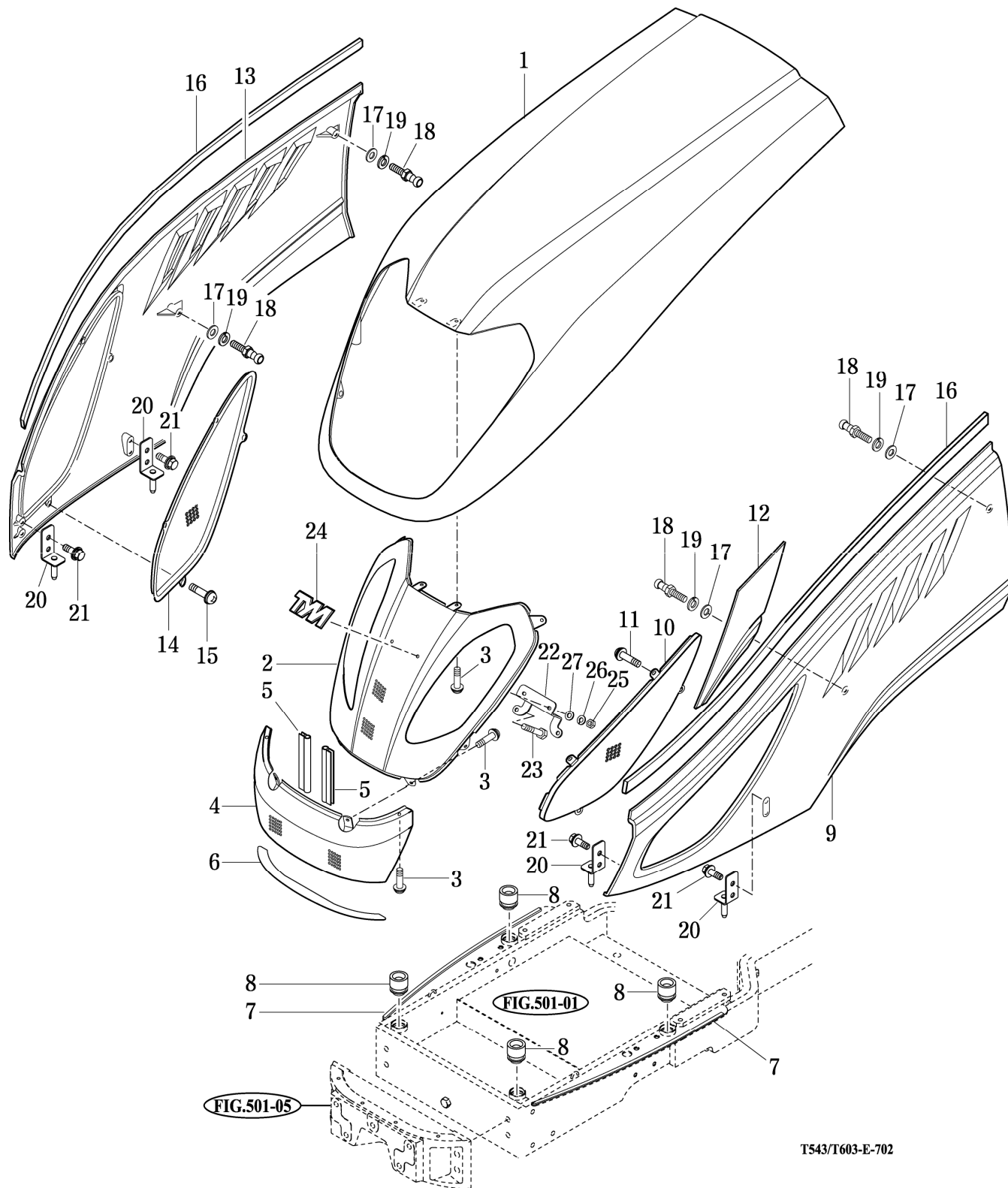
P1

Year / Month

2007 / 07



T543/T603



T543/T603-E-702

NOTE

FIG 704

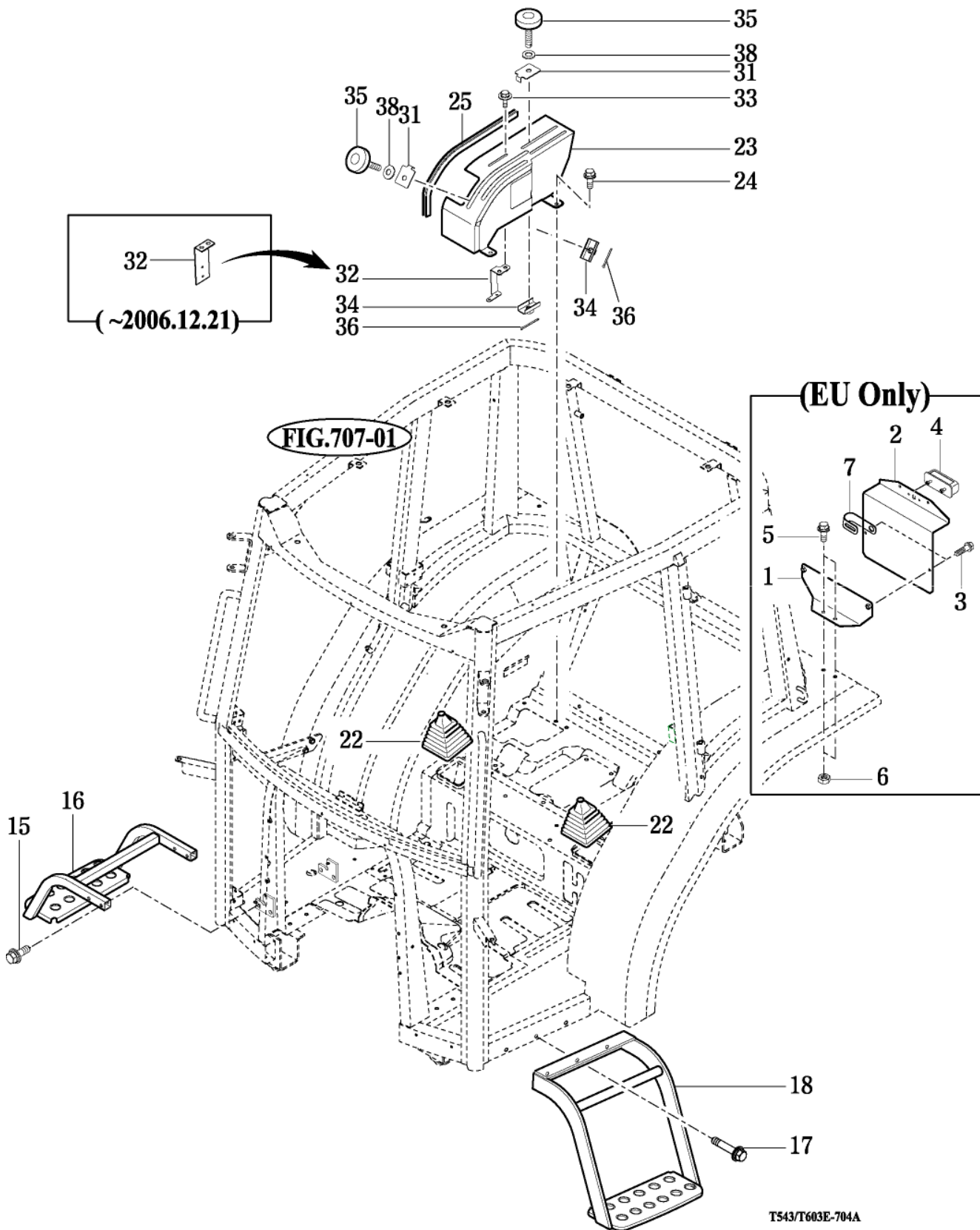
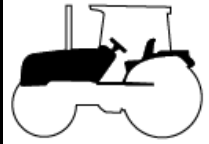
LEVER COVER & STEP

T543/T603

P1

Year / Month

2007 / 07



NOTE

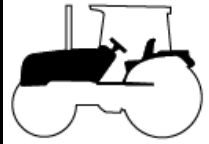
FIG 705

FRONT & REAR MOUNTING

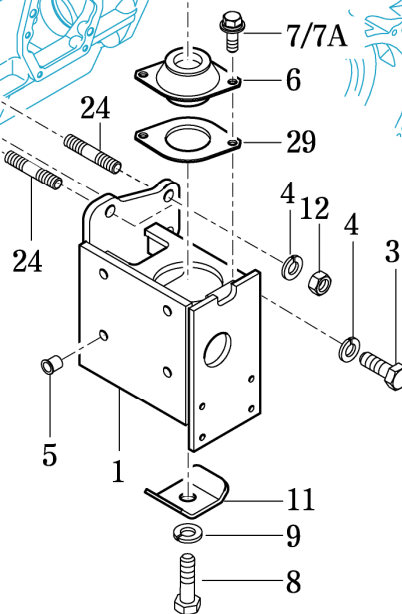
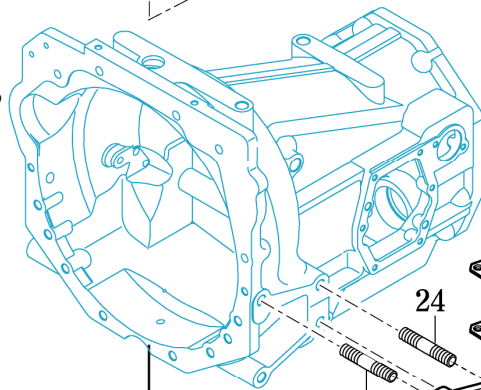
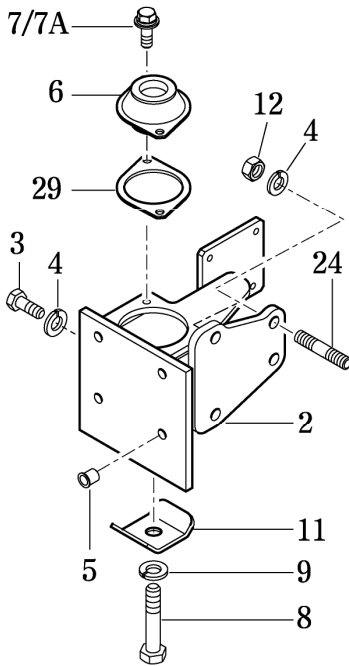
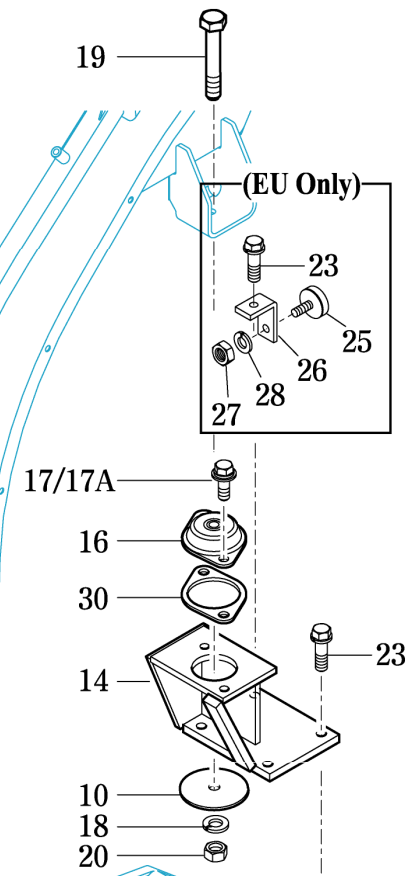
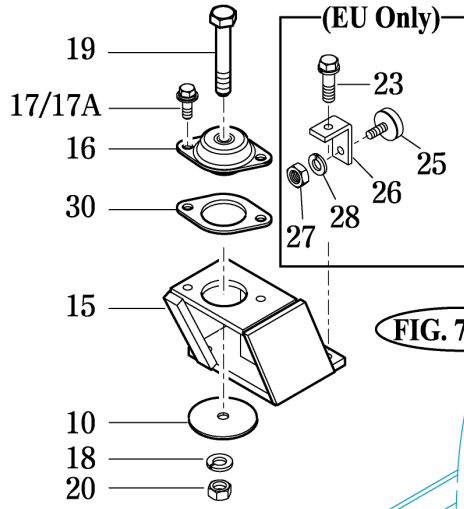
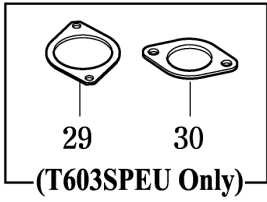
P1

Year / Month

2007 / 07



T543/T603



T543/T603-E-705

NOTE

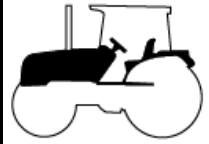
FIG 706

FLOOR & SEAT

P1

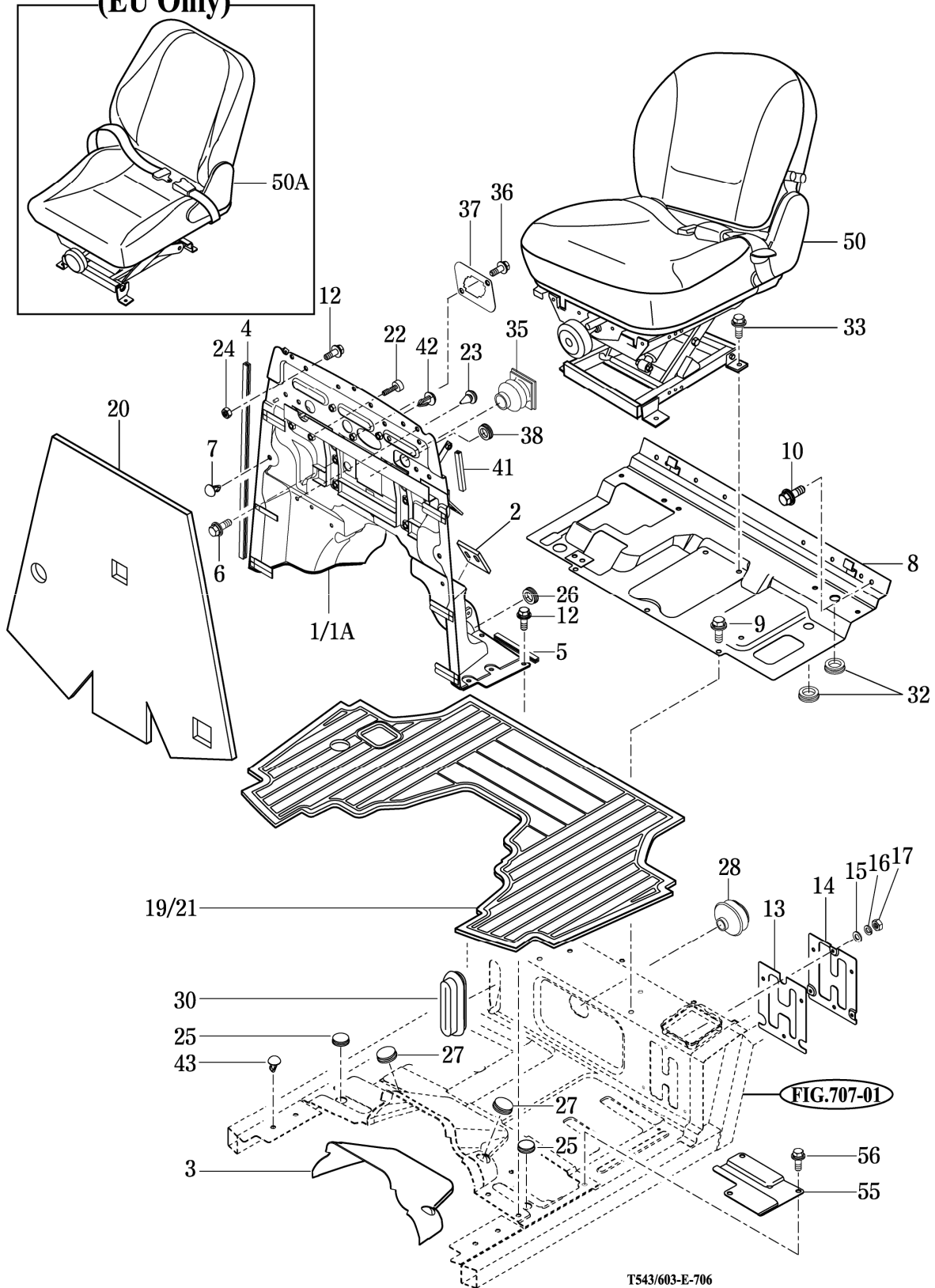
Year / Month

2007 / 07



T543/T603

(EU Only)



NOTE

FIG 707

CAB FRAME & REAR GLASS

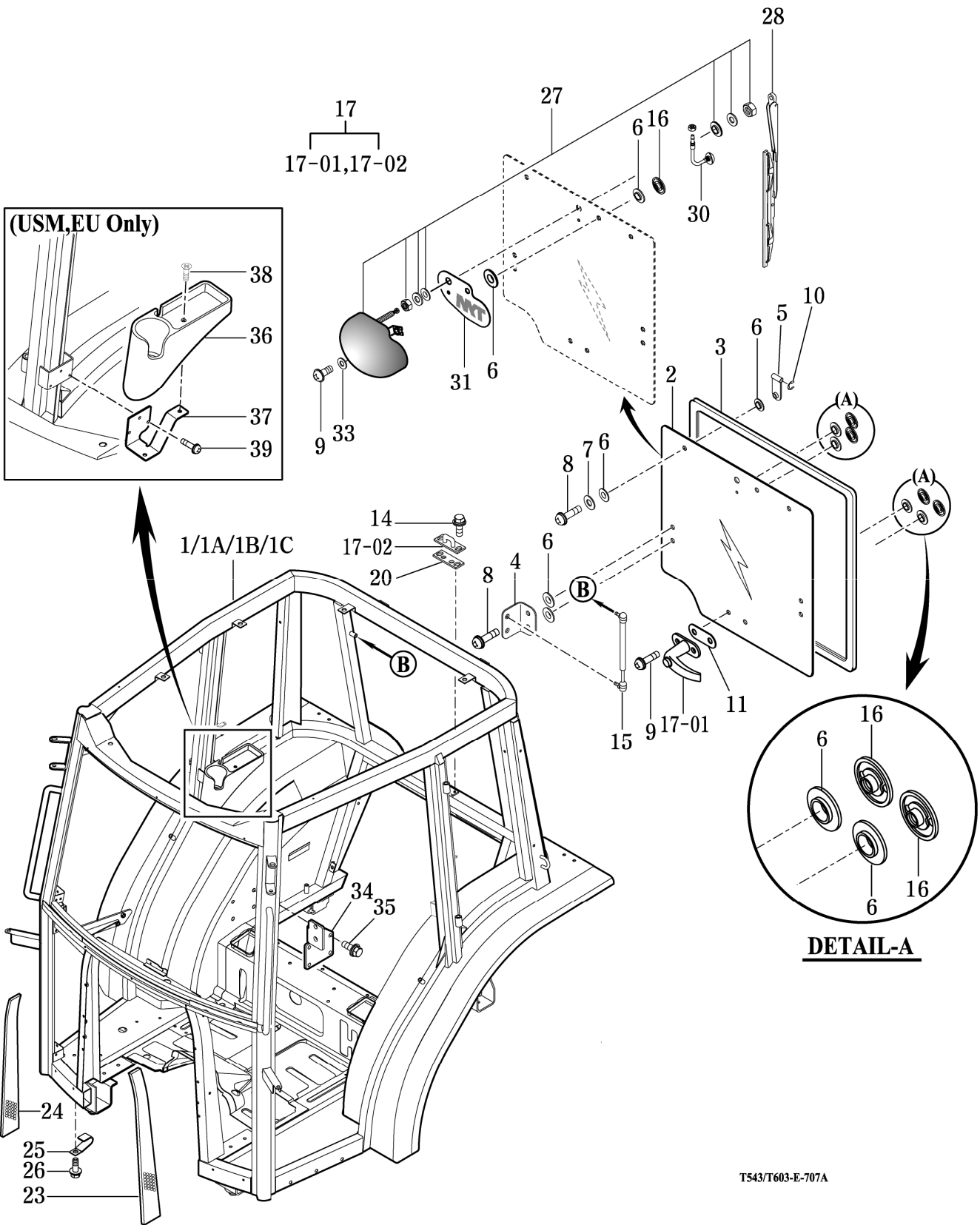
P1

Year / Month

2007 / 07



T543/T603



T543/T603-E-707A

NOTE

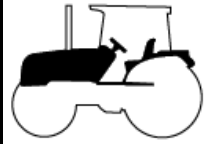
FIG 708

SIDE GLASS

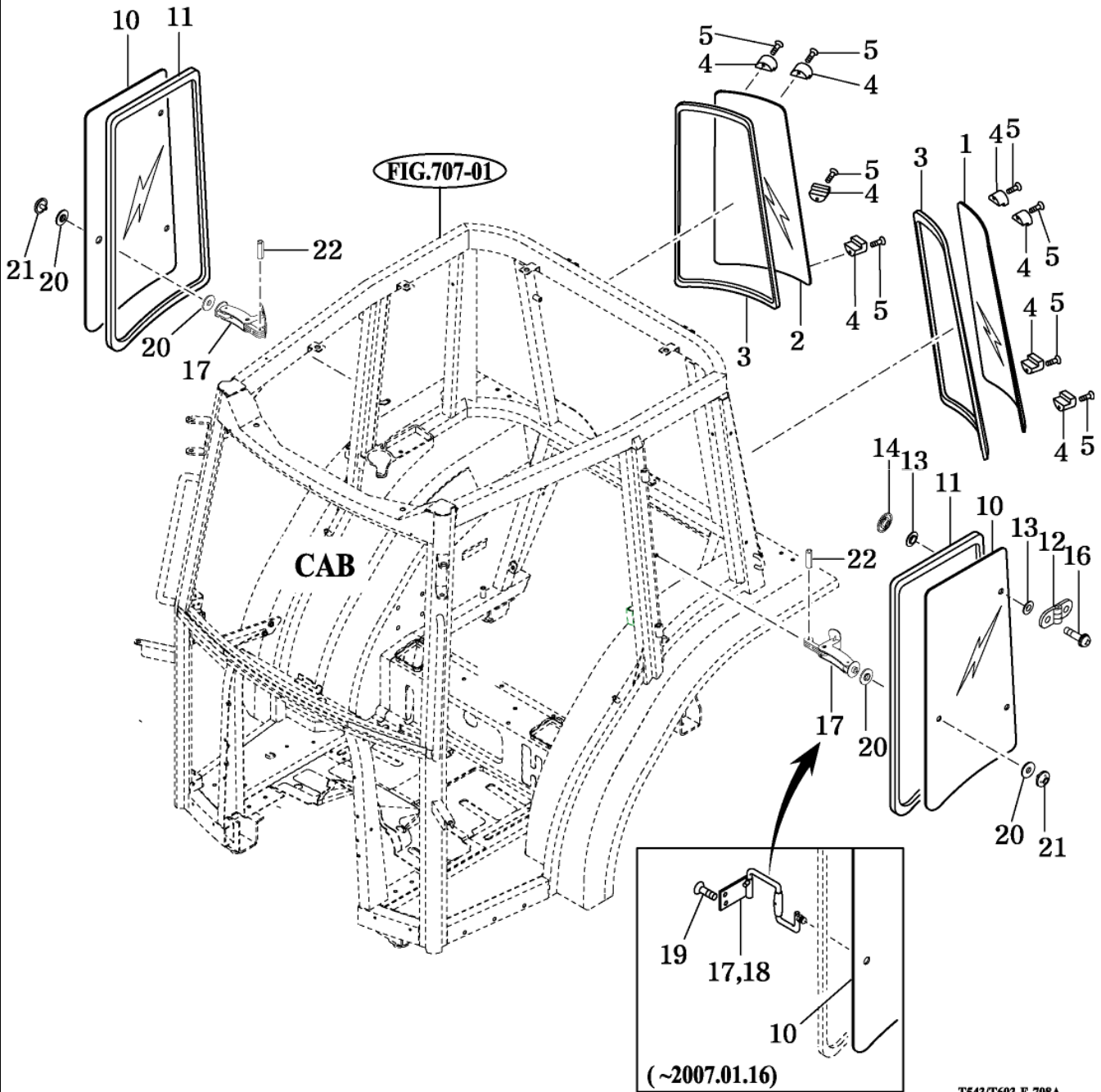
P1

Year / Month

2007 / 07



T543/T603



NOTE

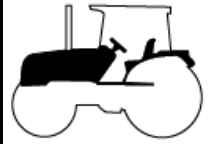
FIG 709

DOOR

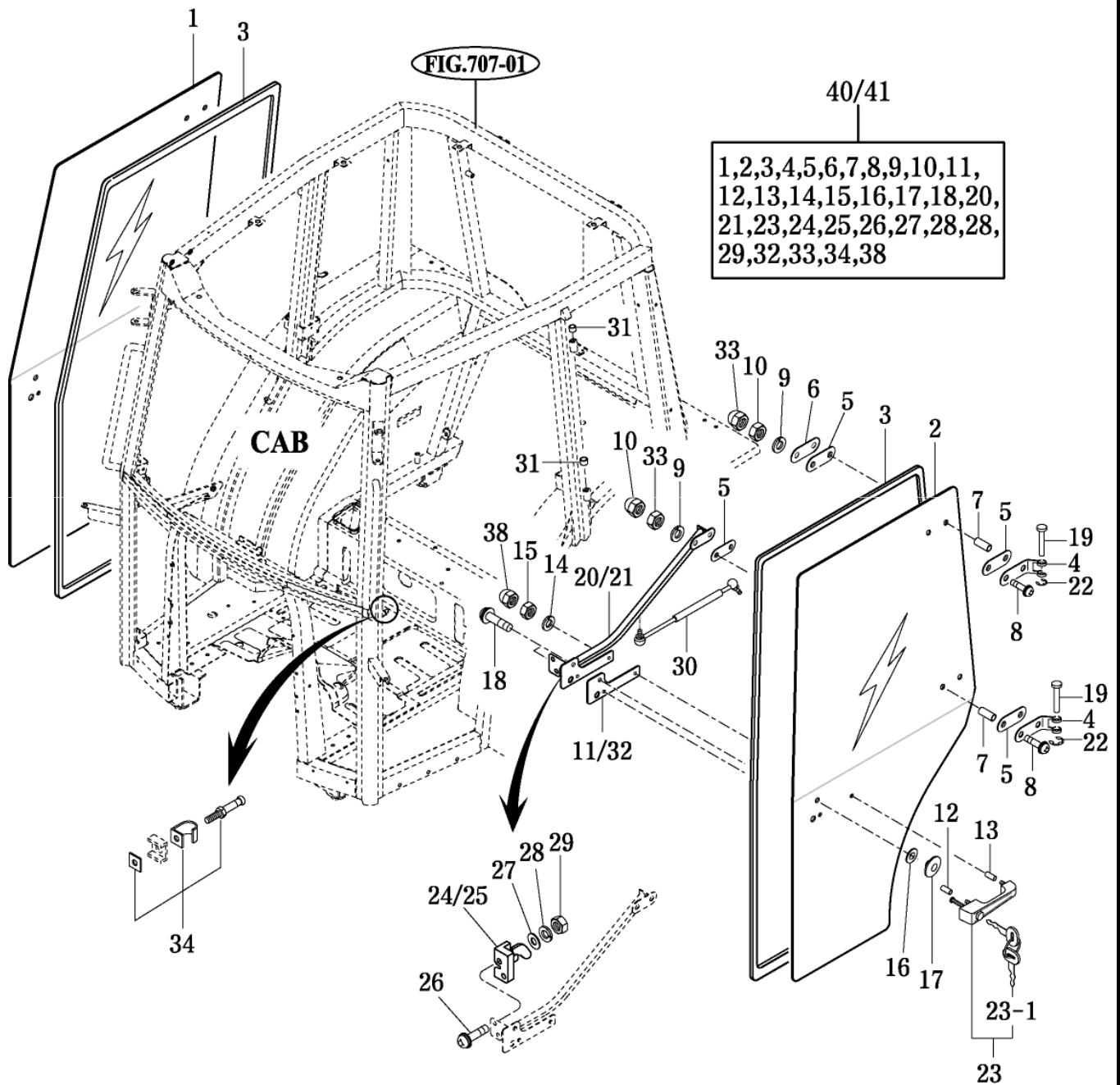
P1

Year / Month

2007 / 07



T543/T603



T543/T603-E-709A

NOTE

FIG 710

T543/T603

FRONT GLASS

P1

Year / Month

2007 / 07

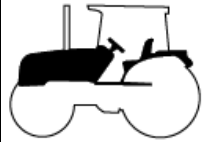
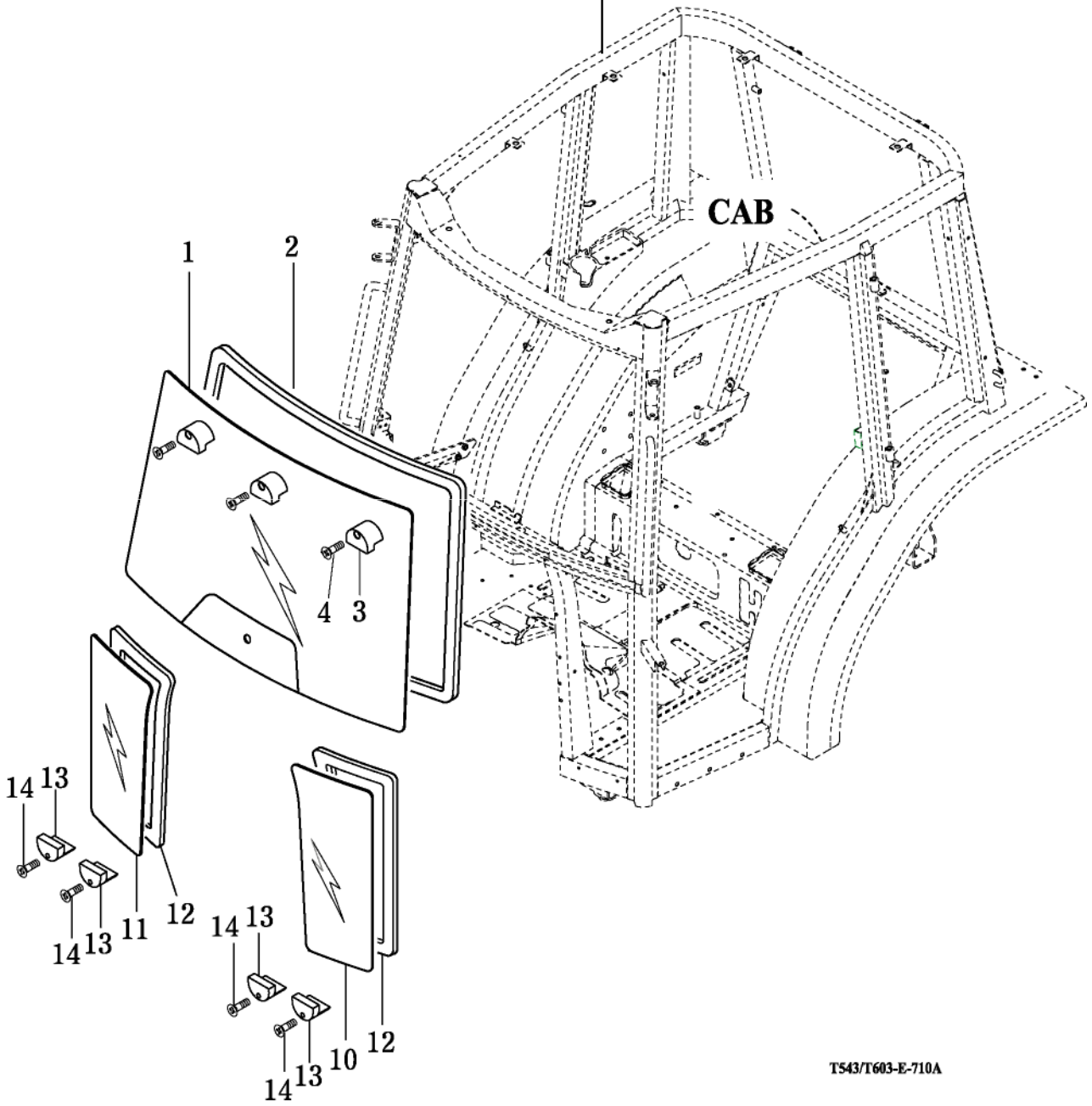


FIG.707-01



T543/T603-E-710A

NOTE

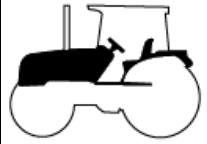
FIG 711

SUB FENDER & COVER

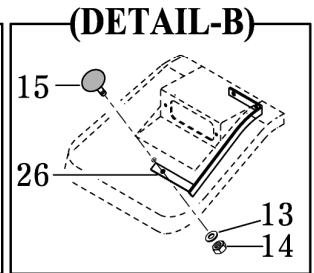
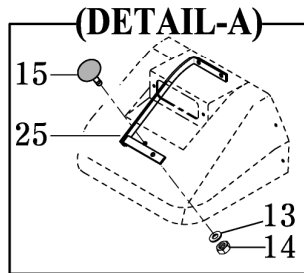
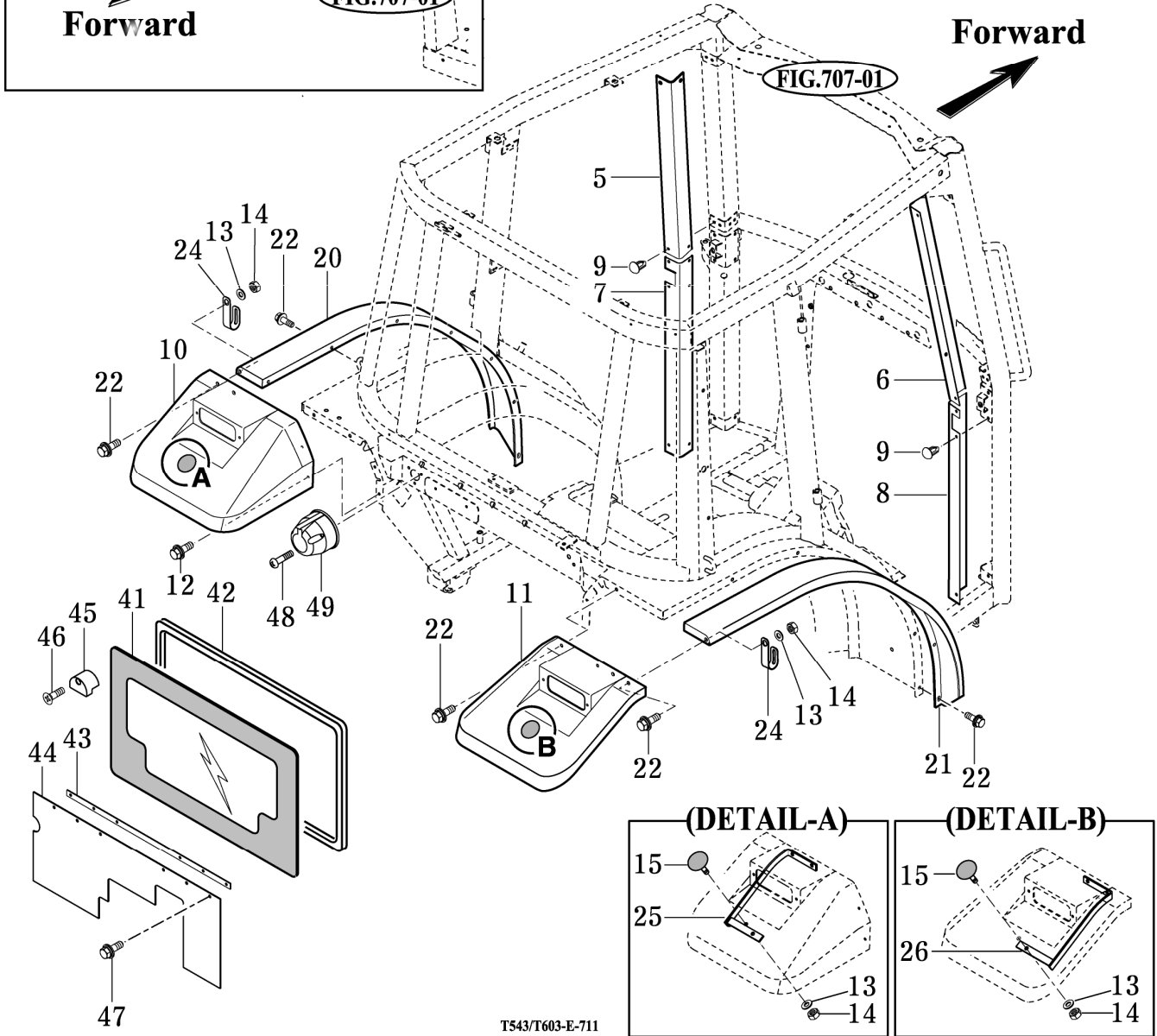
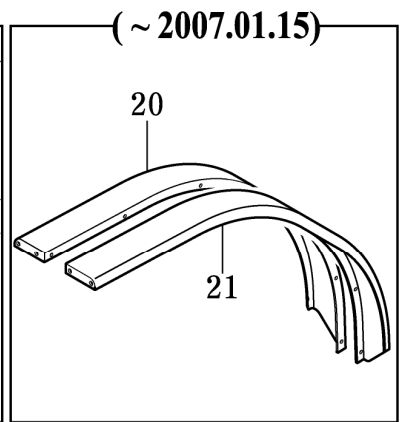
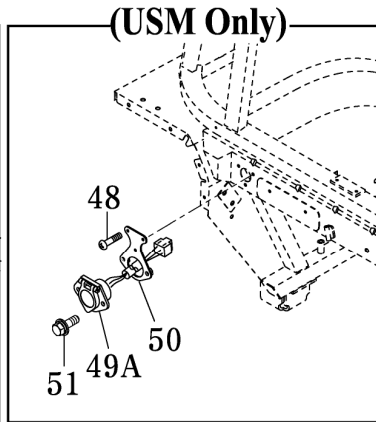
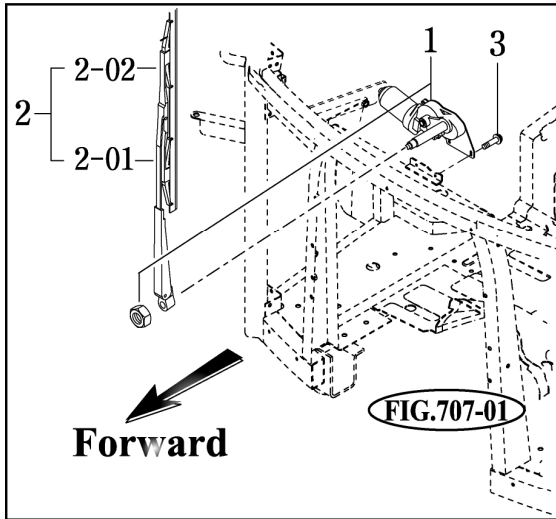
P1

Year / Month

2007 / 07



T543/T603



T543/T603-E-711

NOTE

FIG 712

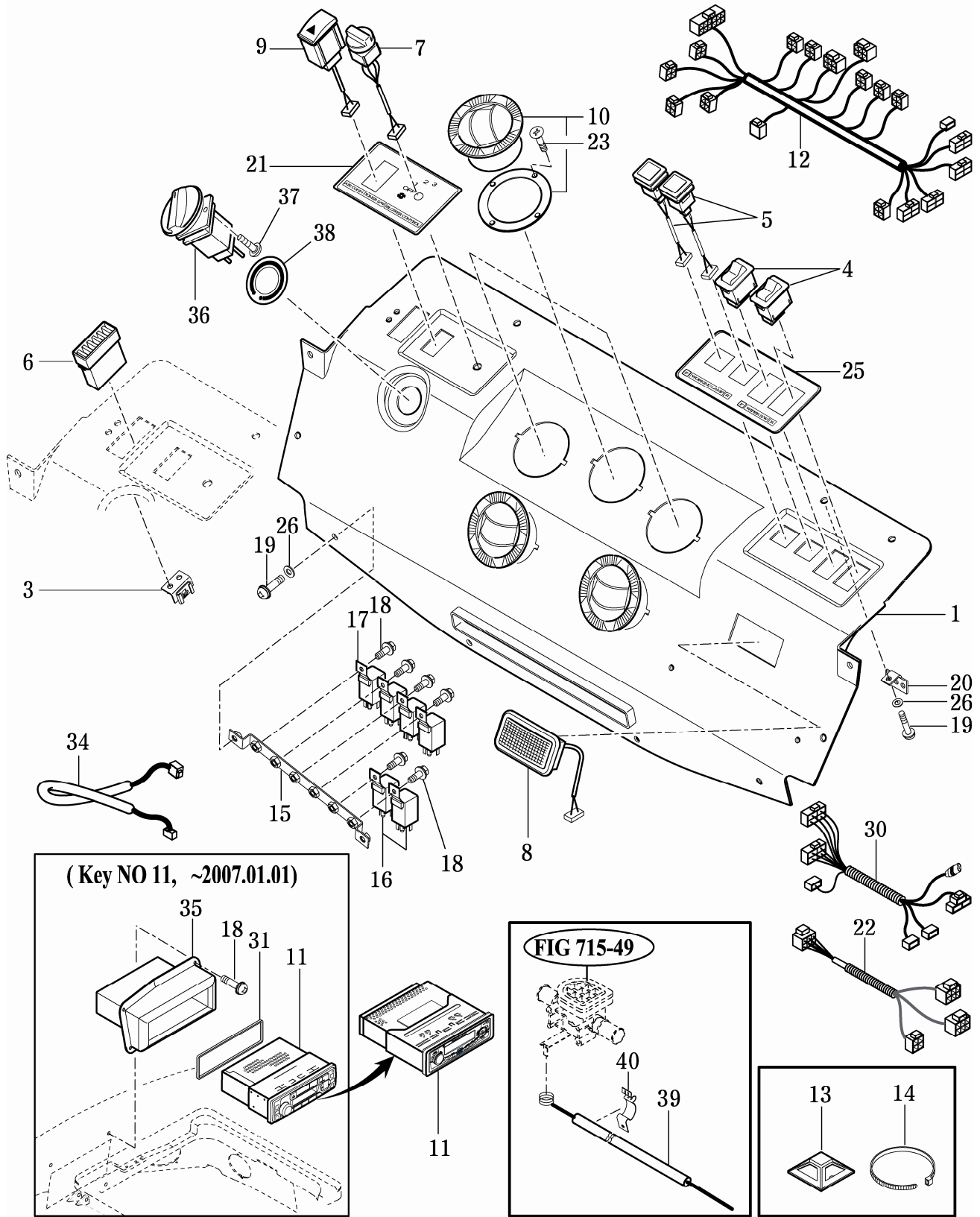
CONTROL COVER

T543/T603

P1

Year / Month

2007 / 07



T543/T593-E-712A

NOTE

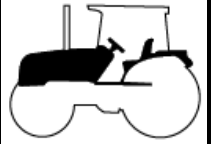
FIG 713

ROOF

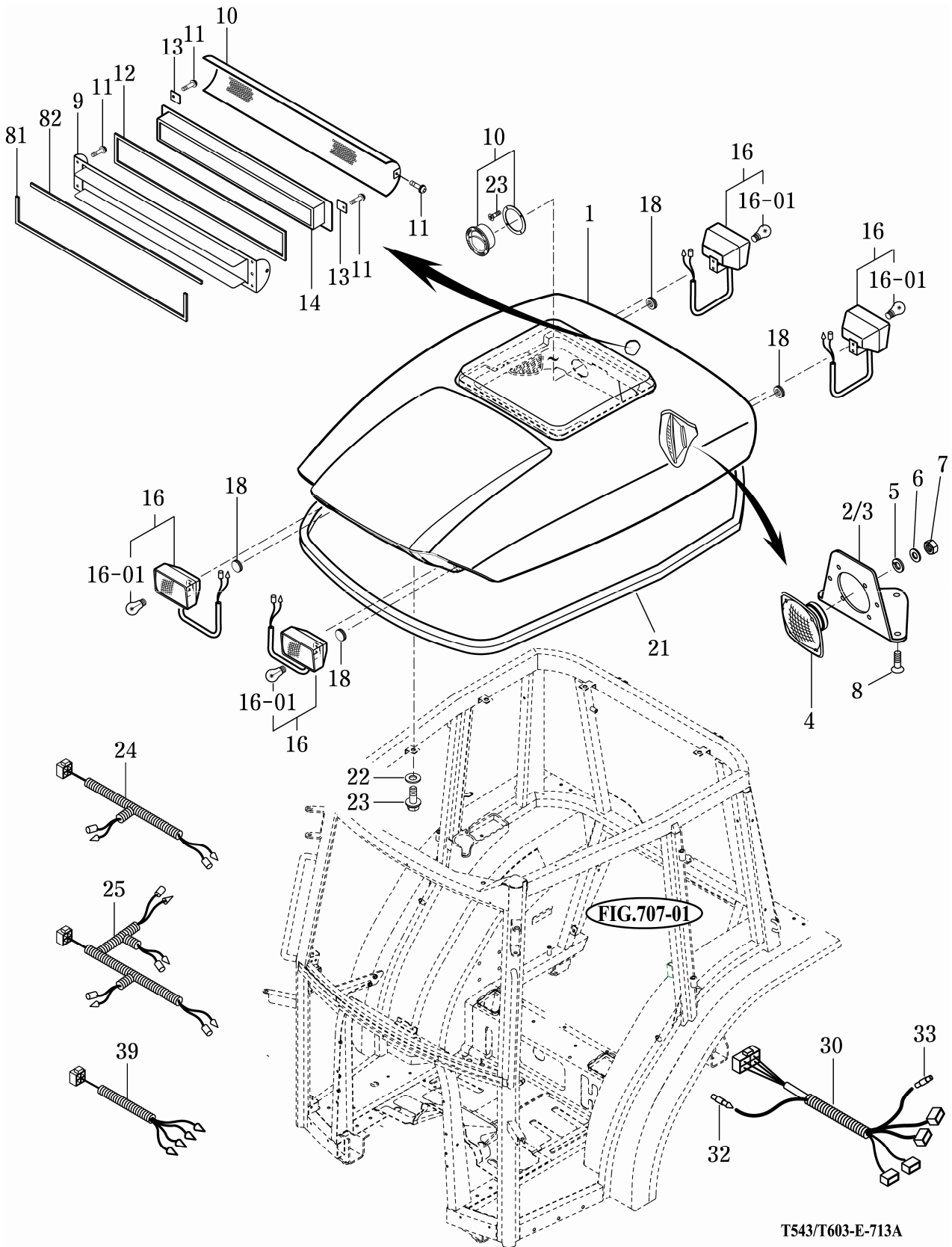
P1

Year / Month

2007 / 07



T543/T603



T543/T603-E-713A

NOTE

FIG 714

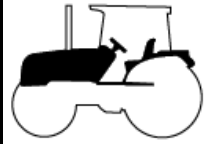
INTERIOR PART

T543/T603

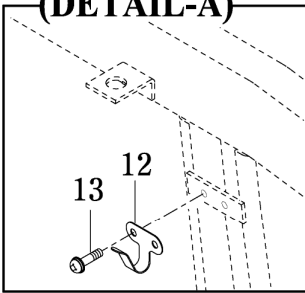
P1

Year / Month

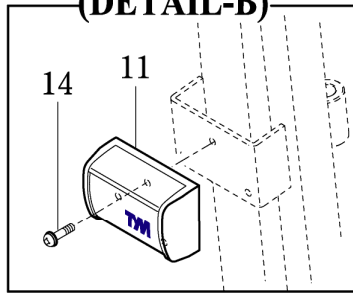
2007 / 07



(DETAIL-A)



(DETAIL-B)



(EU Only)

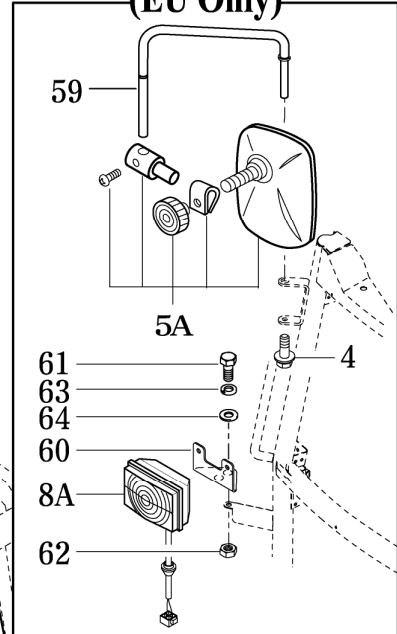
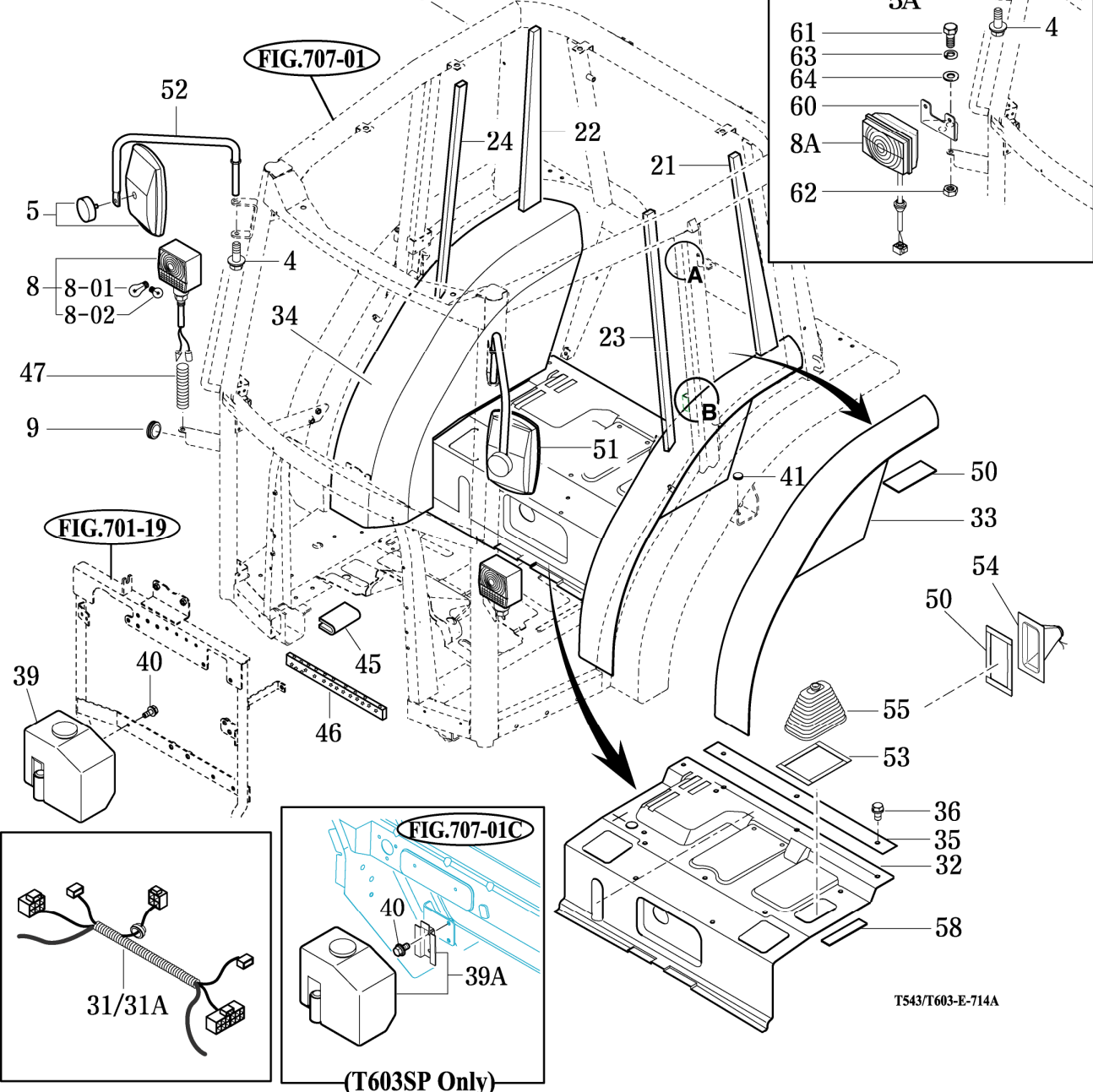


FIG.707-01

FIG.701-19

FIG.707-01C



T543/T603-E-714A

NOTE

(T603SP Only)

FIG 715

HEATER & AIR-CON

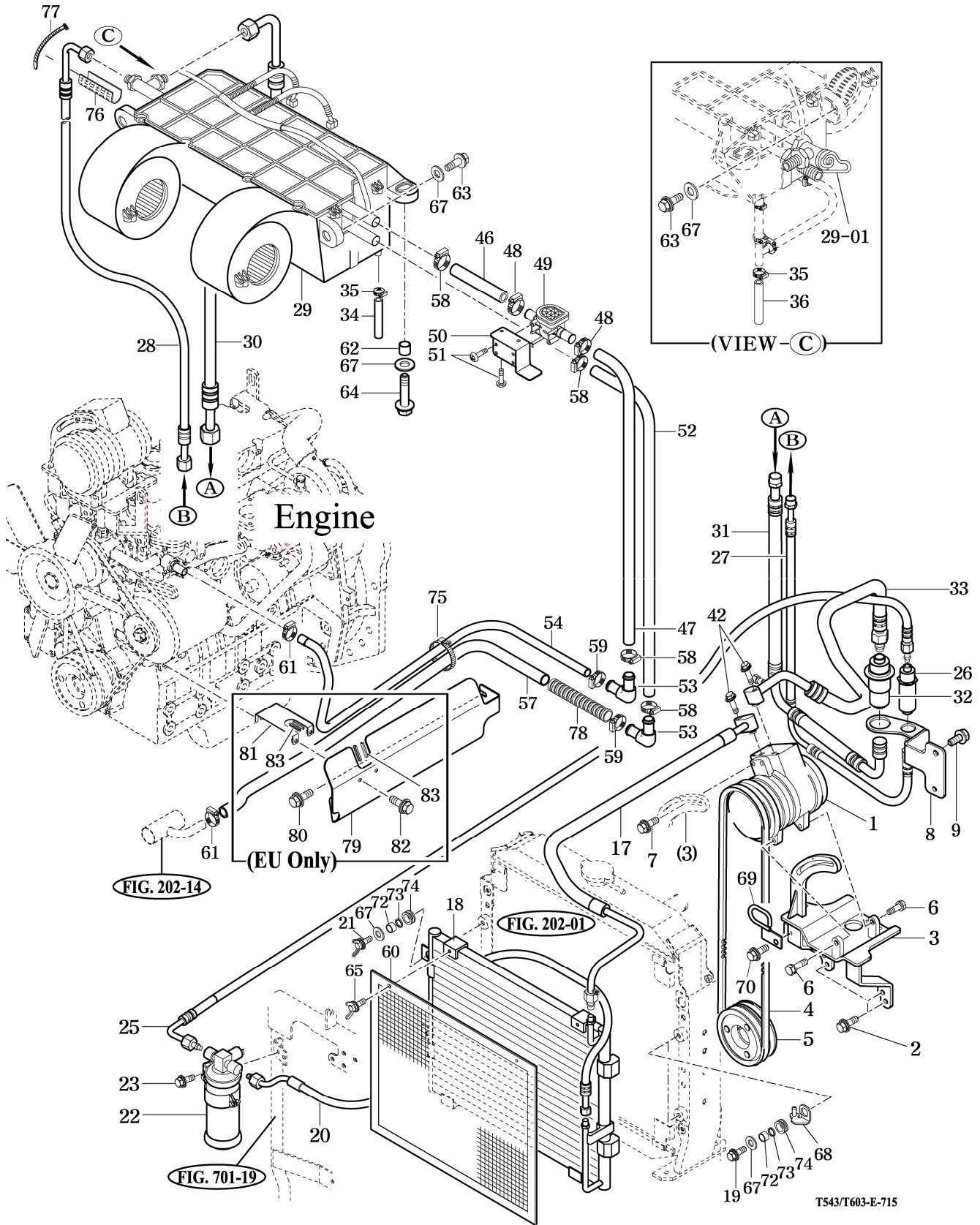
P1

Year / Month

2007 / 07



T543/T603



NOTE

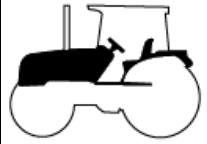
FIG 715

HEATER & AIR-CON

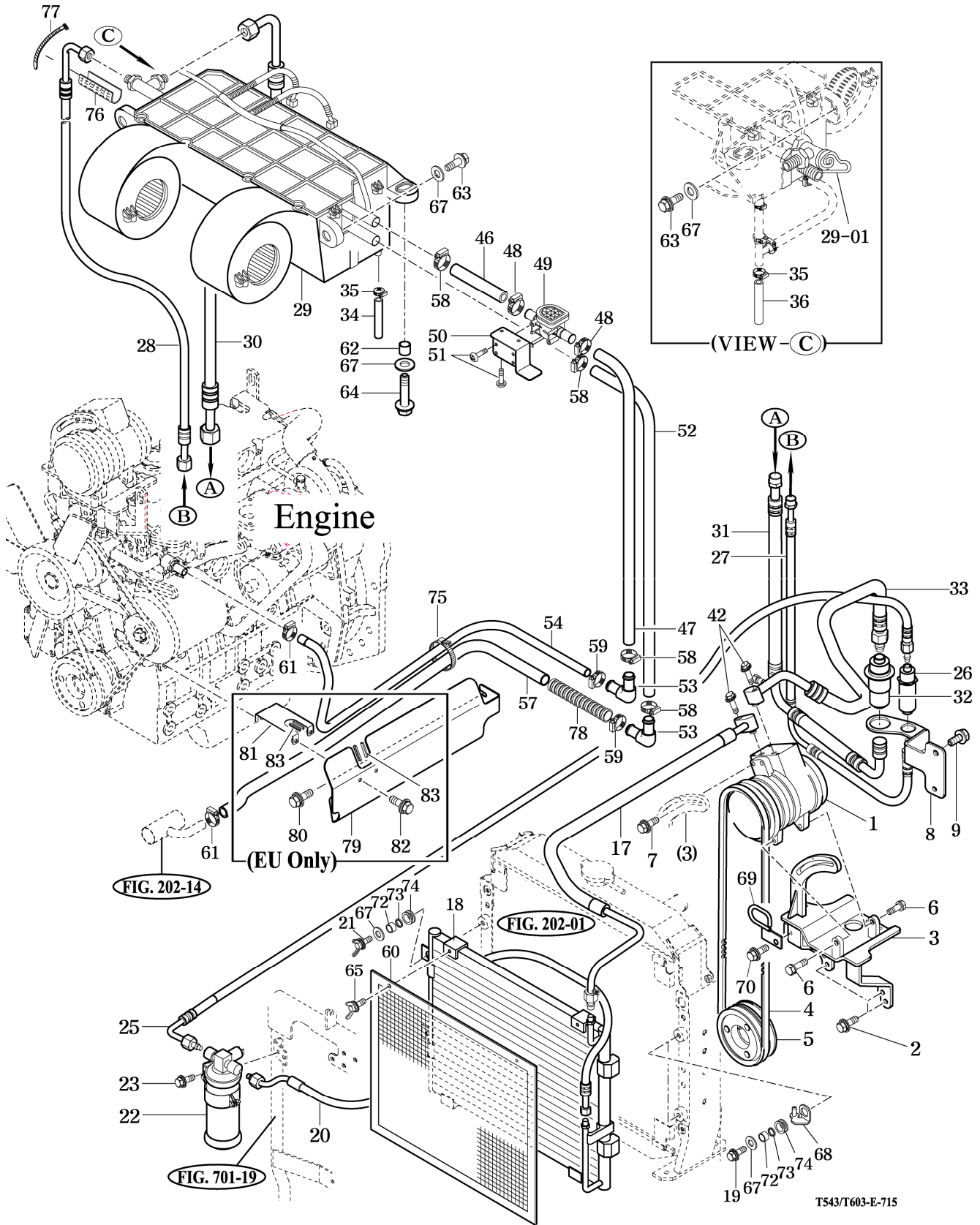
P2

Year / Month

2007 / 07



T543/T603



NOTE

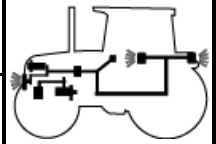
FIG 801

BATTERY & MOUNTING

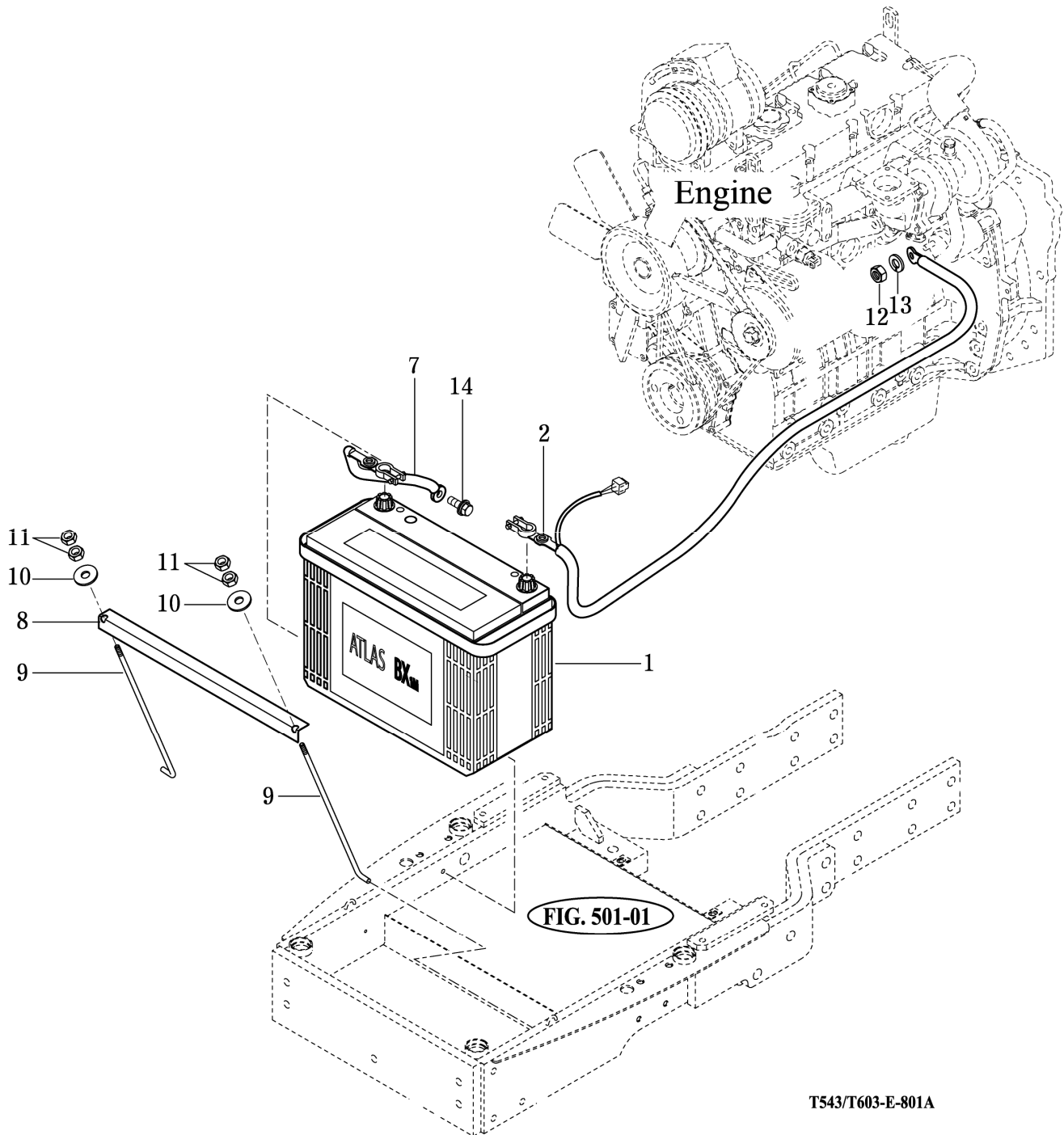
P1

Year / Month

2007 / 07



T543/T603



NOTE

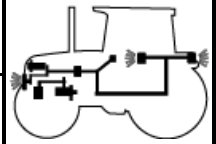
FIG 802

LIGHT & BACK LAMP

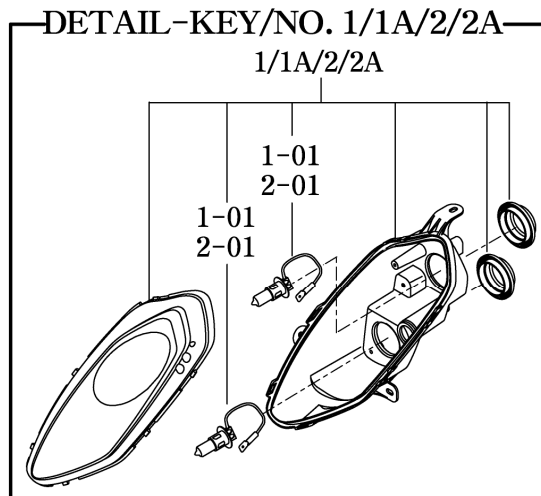
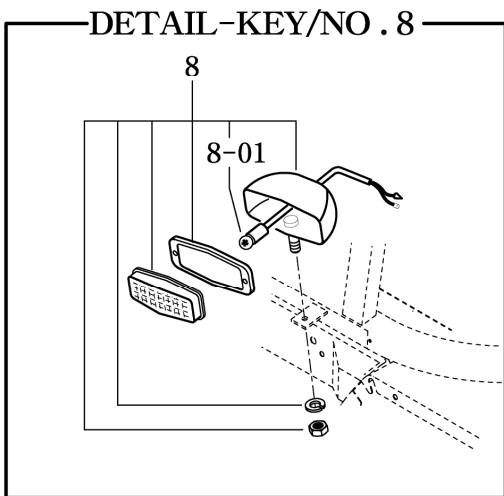
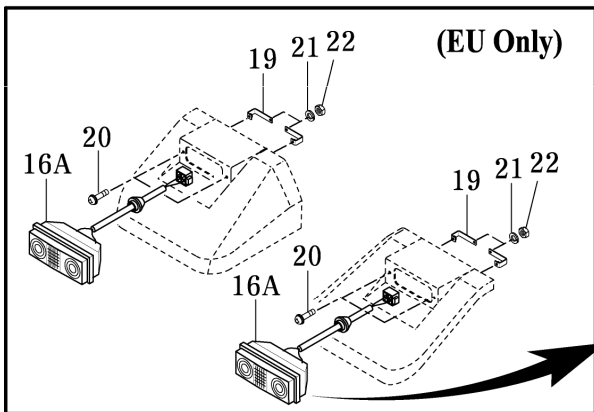
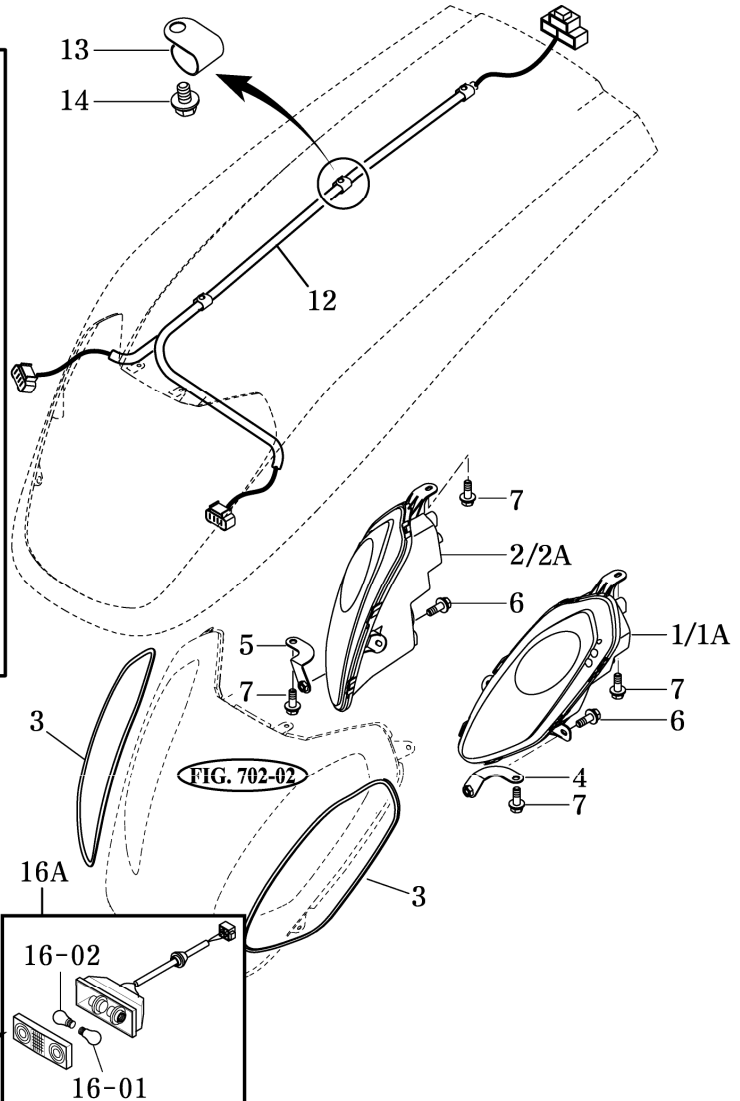
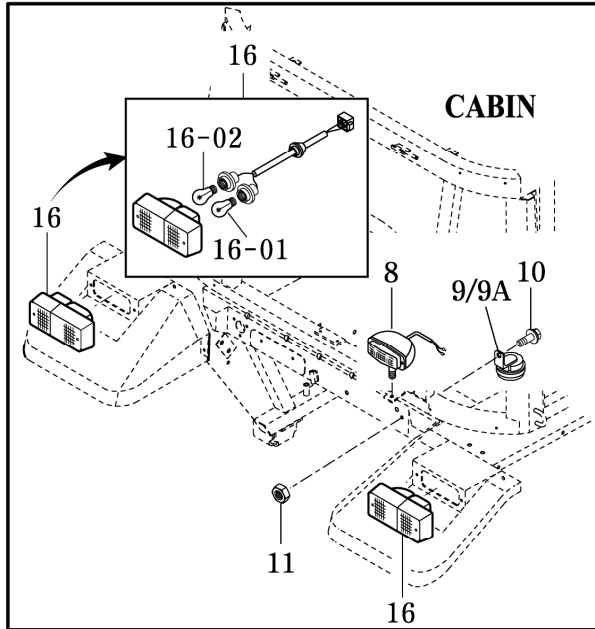
P1

Year / Month

2007 / 07



T543/T603



T543/T593-E-802A

NOTE

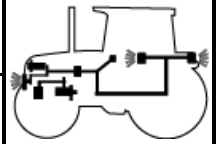
FIG 803A

INSTRUMENT PANEL-ST Only

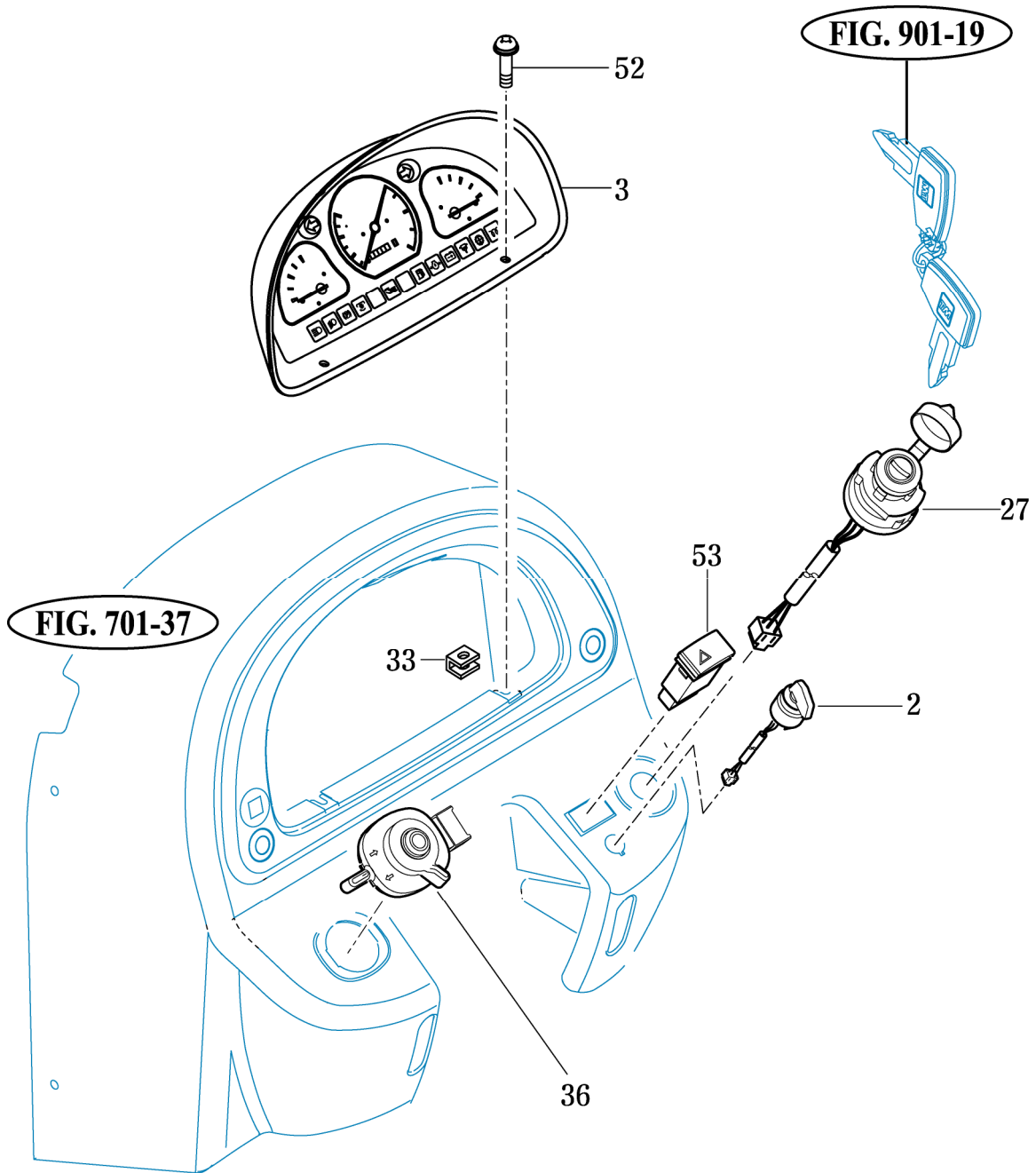
P1

Year / Month

2007 / 07



T543/T603



T543/T603-E-803A

NOTE

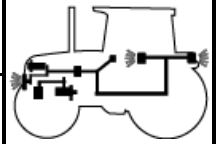
FIG 803B

INSTRUMENT PANEL-SP Only

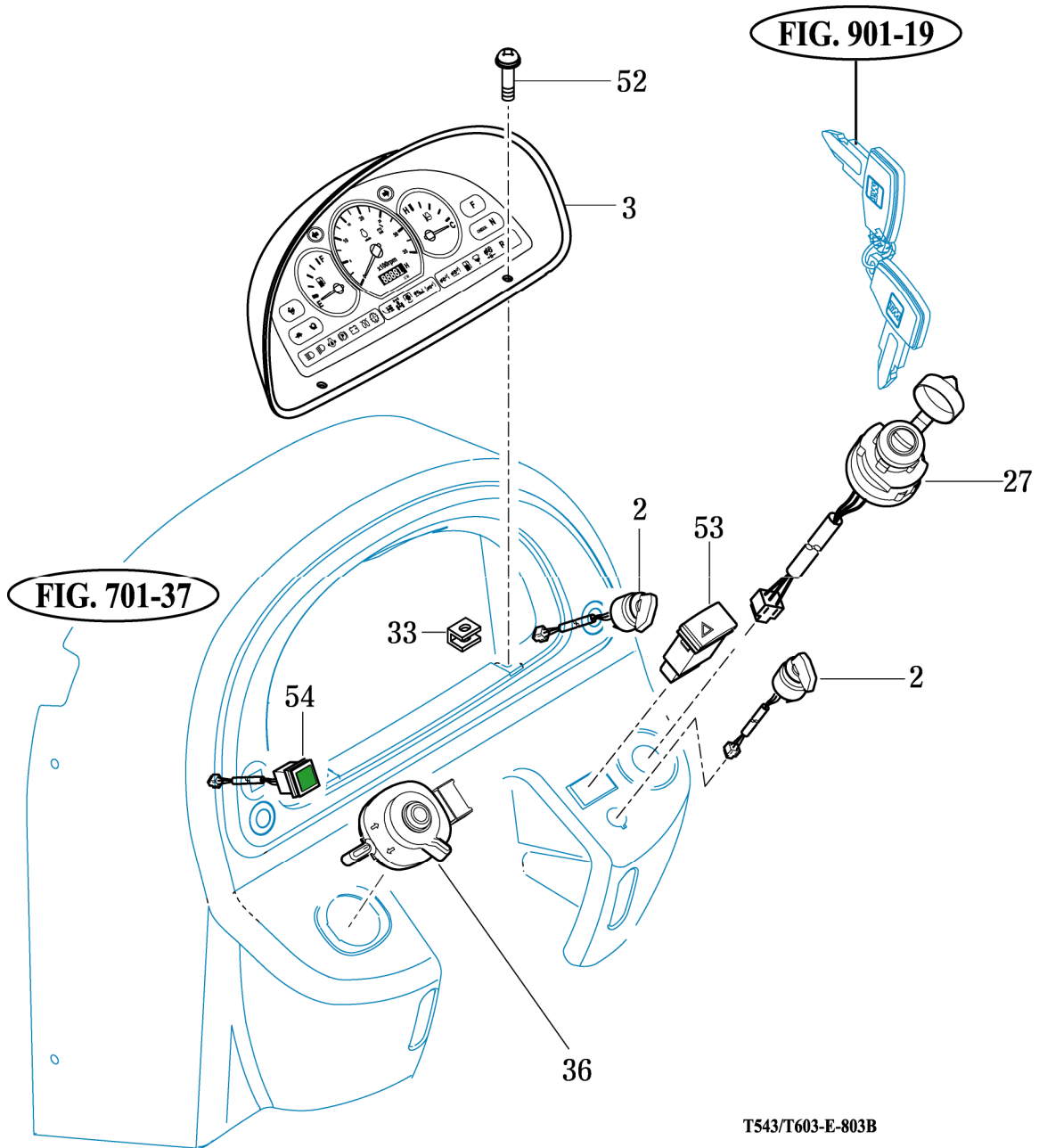
P1

Year / Month

2007 / 07



T543/T603



NOTE

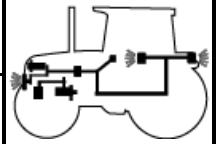
FIG 804

ELECTRIC SYSTEM (1)

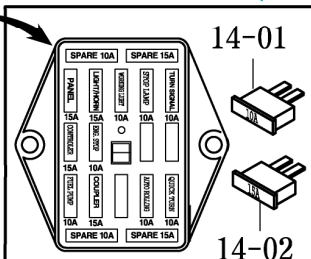
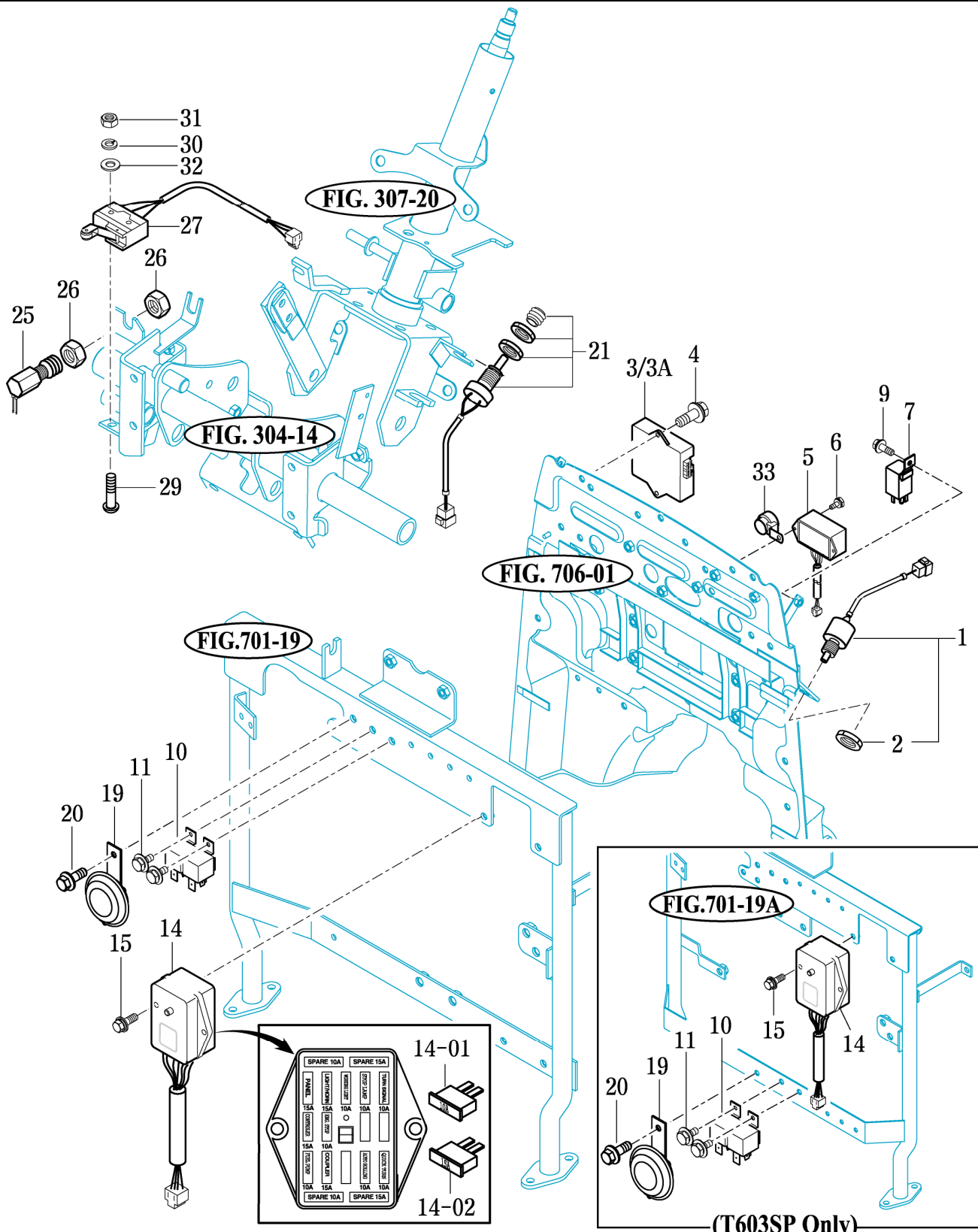
P1

Year / Month

2007 / 07



T543/T603



NOTE

T543/T603-E-804

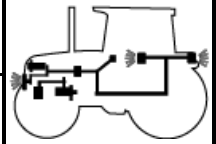
FIG 805

ELECTRIC SYSTEM (2)

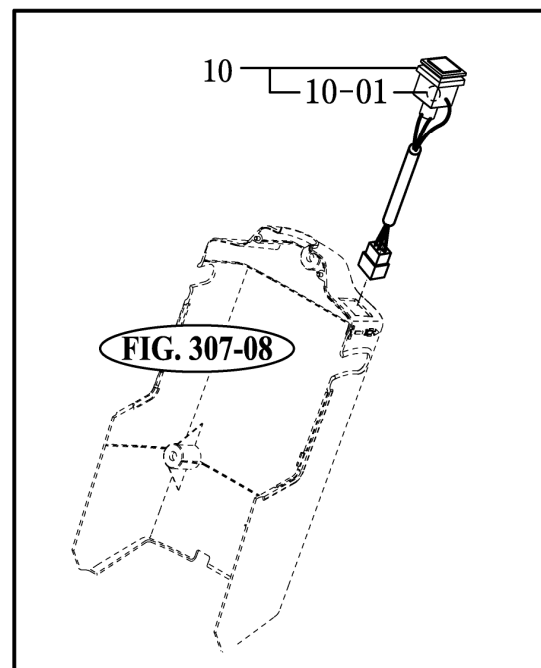
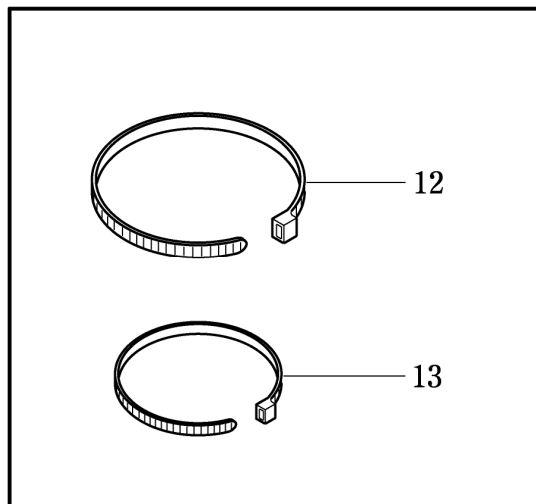
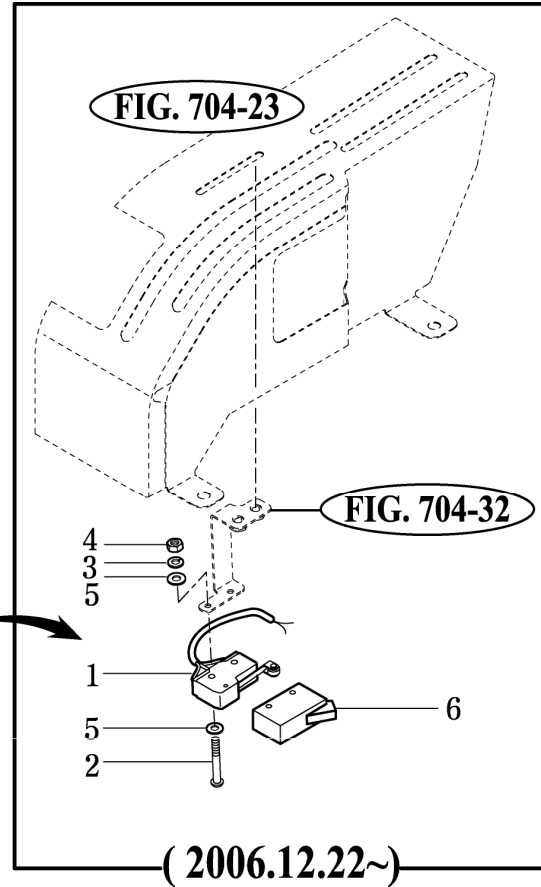
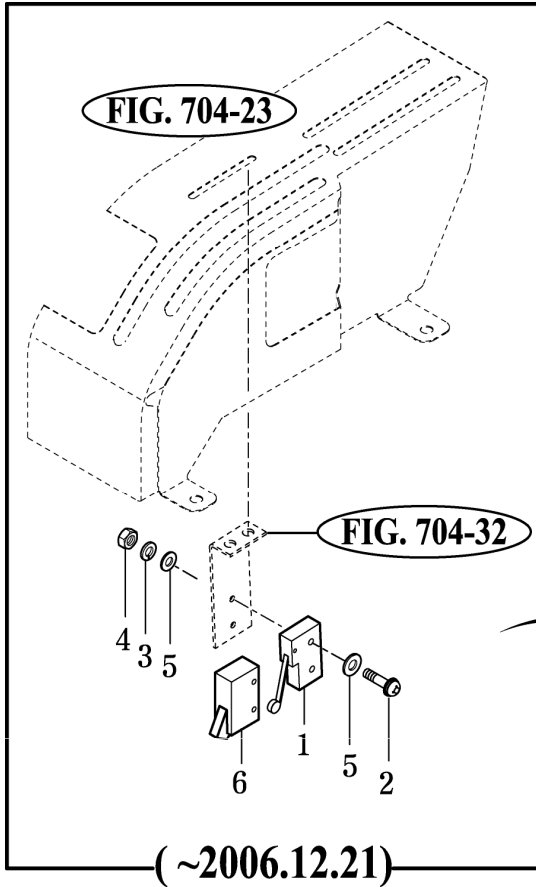
P1

Year / Month

2007 / 07



T543/T603



T543/T603-E-805A

NOTE

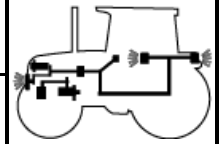
FIG 806A

HARNESS (1)-ST Only

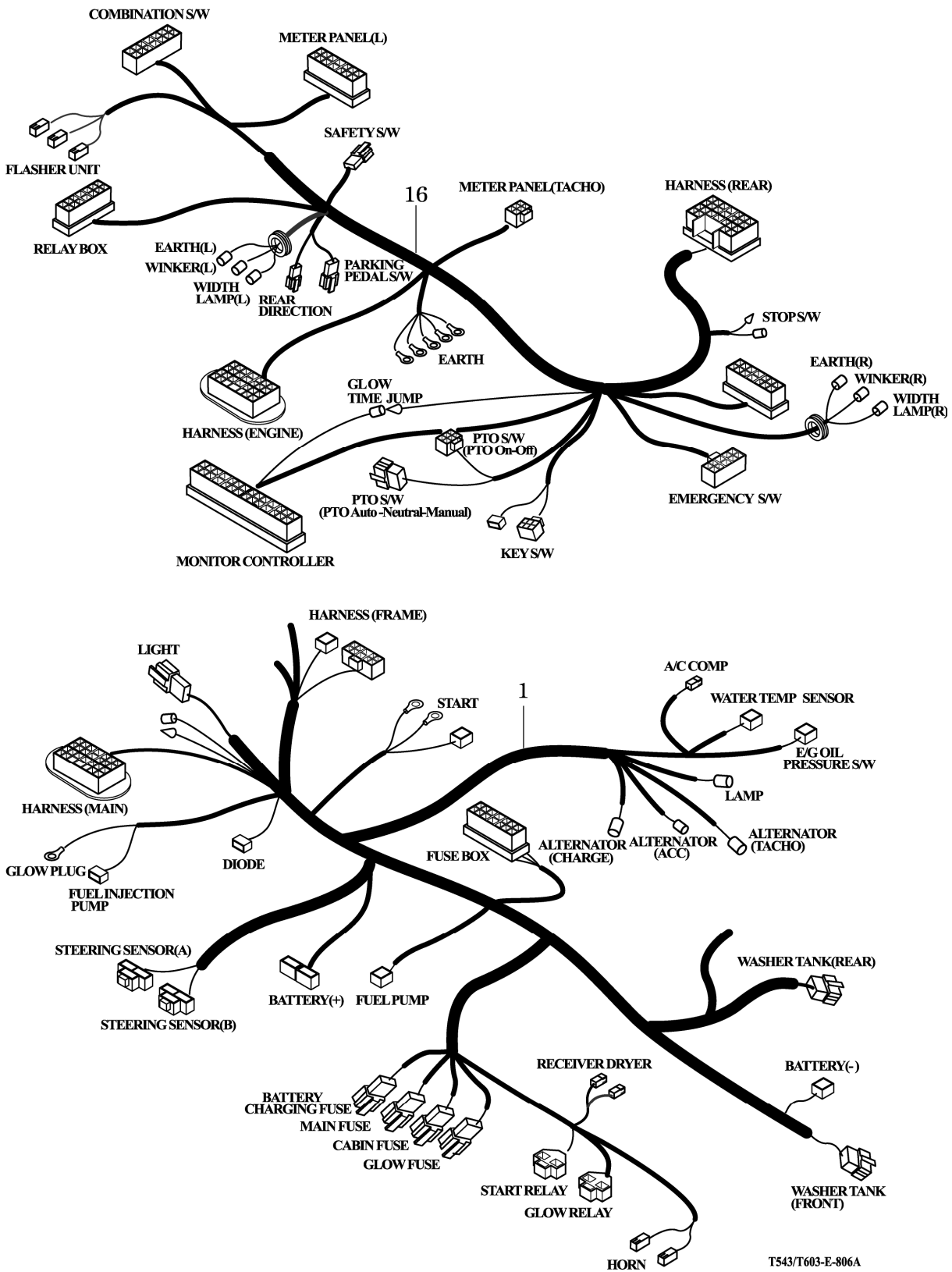
P1

Year / Month

2007 / 07



T543/T603



T543/T603-E-806A

NOTE

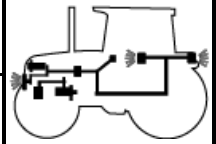
FIG 806B

HARNESS (1)-SP Only

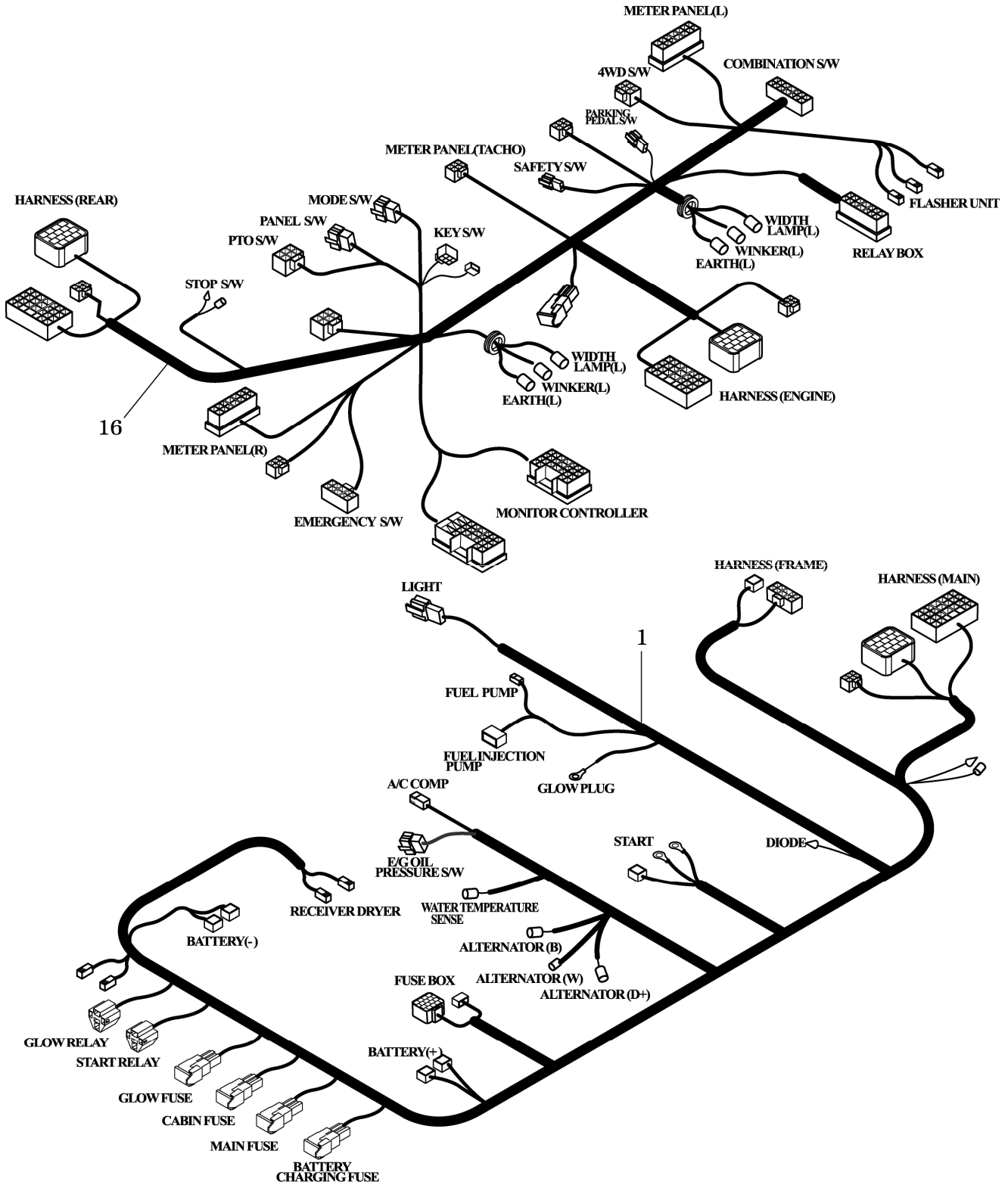
P1

Year / Month

2007 / 07



T543/T603



T603SP-E-806B

NOTE

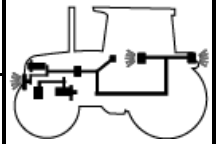
FIG 807

HARNESS (2)

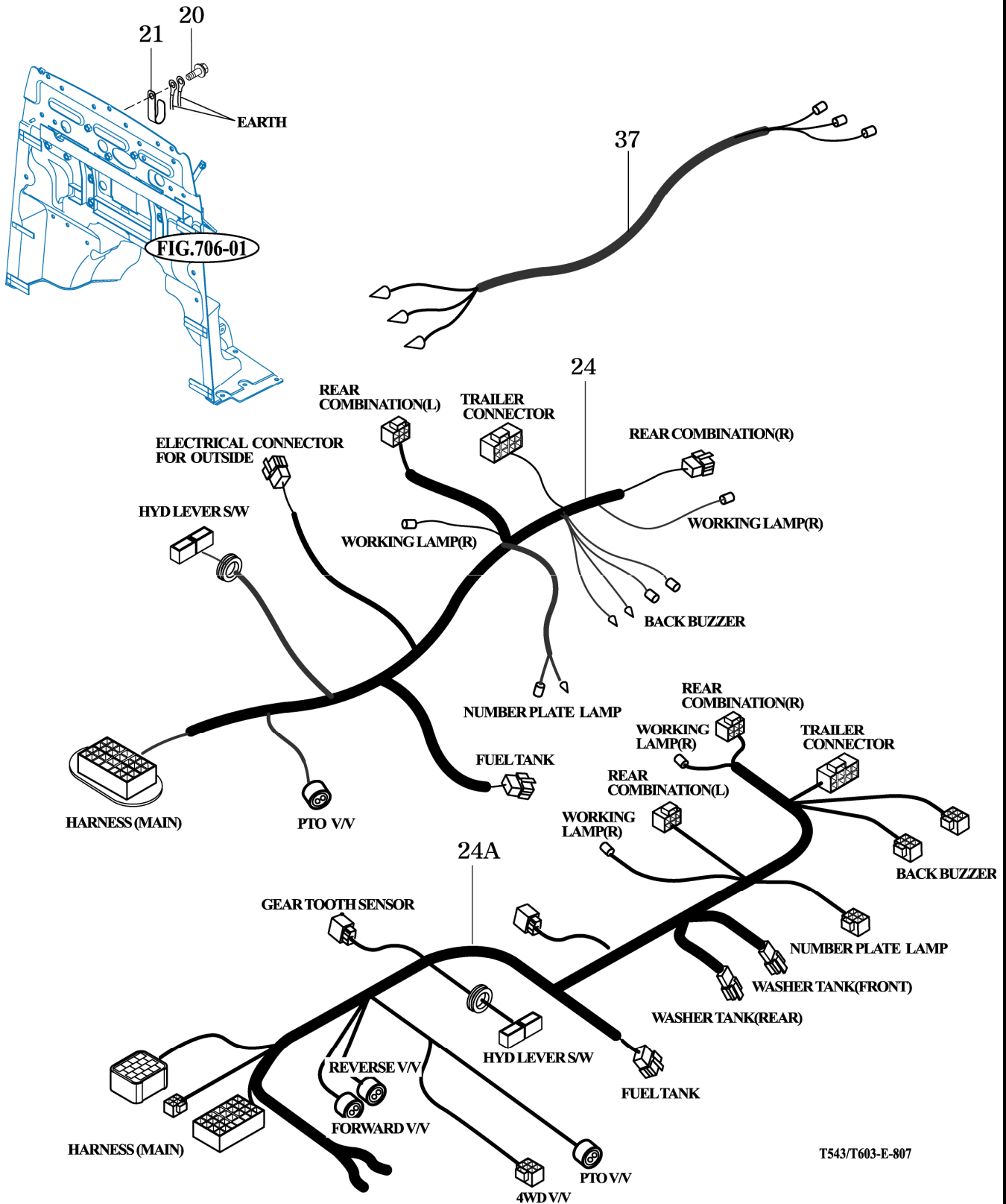
P1

Year / Month

2007 / 07



T543/T603



T543/T603-E-807

NOTE

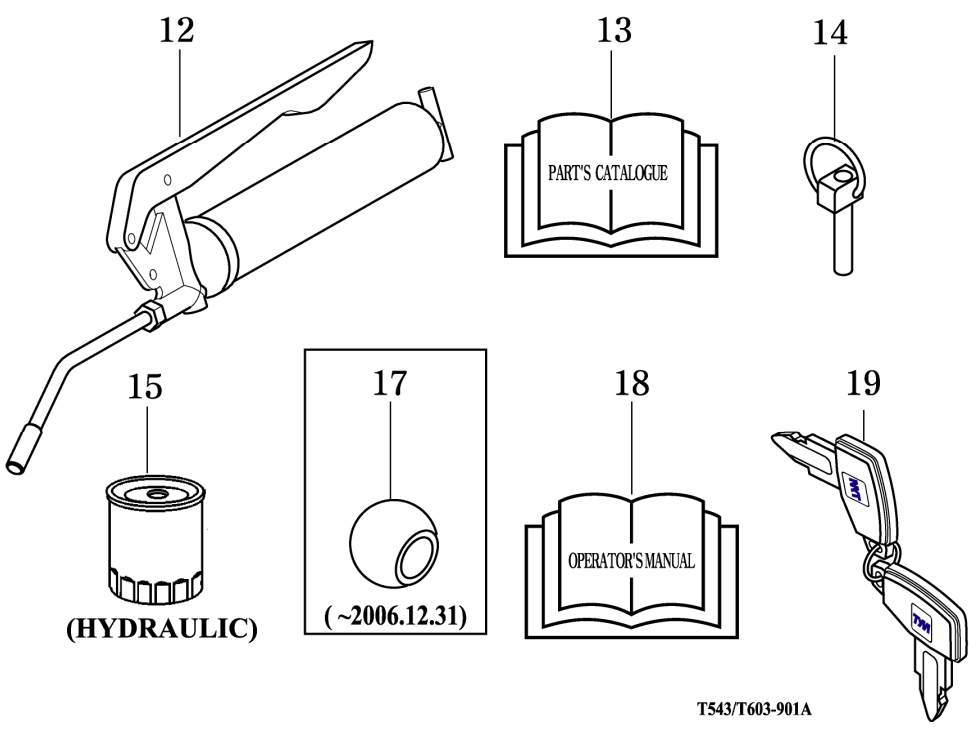
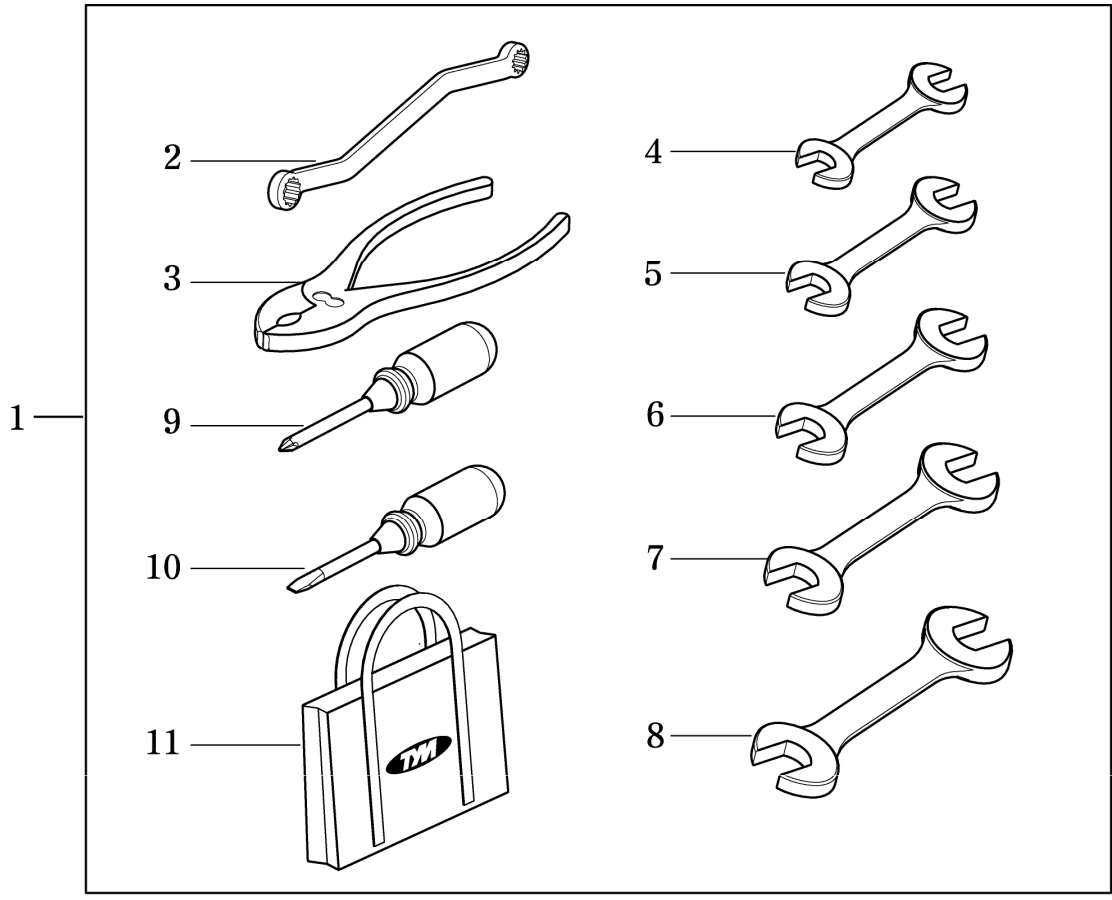
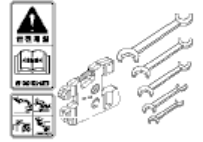
FIG 901
T543T603

TOOL & ACCESSORY

P1

Year / Month

2007 / 07



T543/T603-901A

NOTE

FIG 902

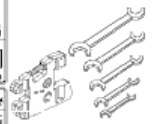
T543T603

WEIGHT

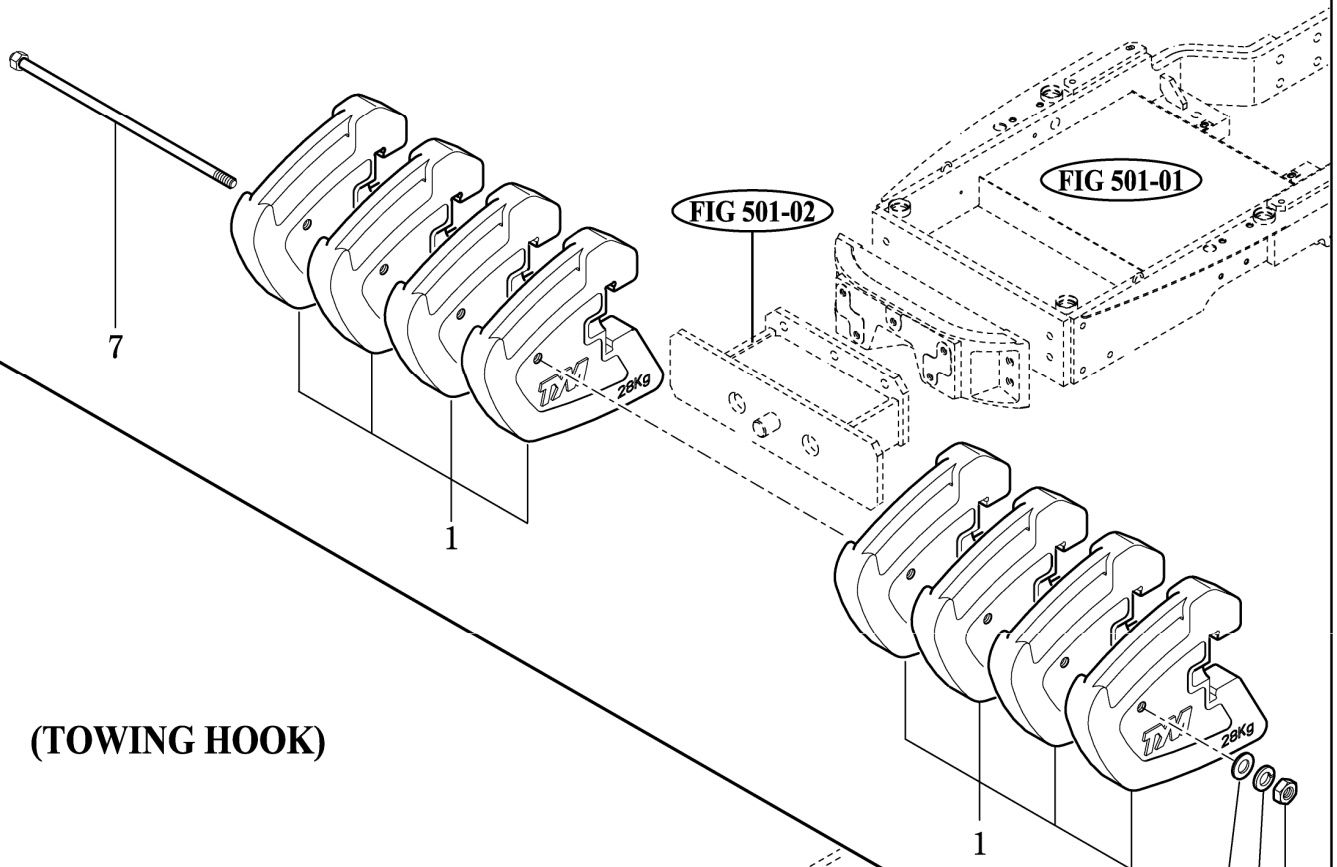
P1

Year / Month

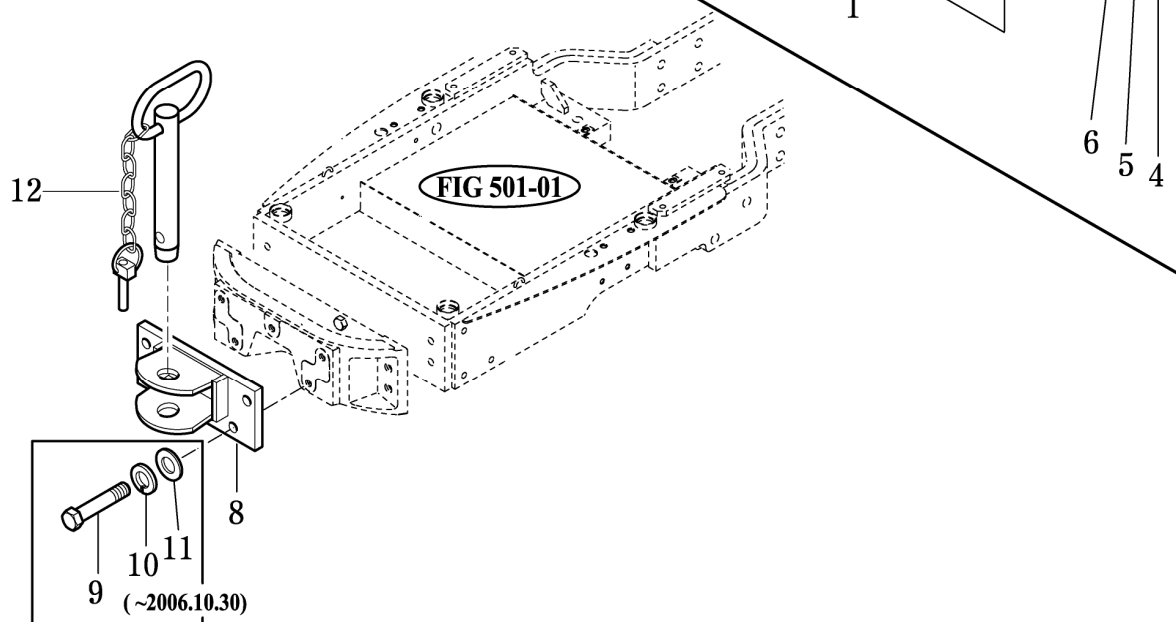
2007 / 07



(WEIGHT)



(TOWING HOOK)



T543/T603-E-902

NOTE

OPTION PARTS

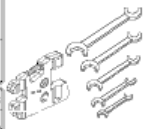
FIG 903

LABEL

P1

Year / Month

2007 / 07



Inner/Outer air Ventilation

- When grills of rear and both sides are opened, inner air will ventilate in.
- For effective use, open it when operate heater or air conditioner and close when ventilate fresh air.

1220-904-122-1

QUALITY MATTERS

CAUTION

- Start engine every 10 seconds. If not start. Then check the fuel system.
- Preheating time : about 5 second below -5C
- Always charge the battery sufficiently.
- Be careful not to touch the electric system by the pressure water.

5

6

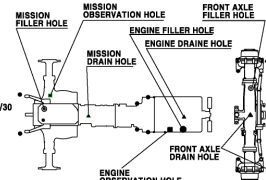


Keep hands and clothing away from rotating fan and belts to prevent serious injury.

1220-910-012-0

LUBRICATION CHART

- ENGINE OIL**
- CHECK THE OIL QUANTITY
 - REPLACE THE OIL AFTER FIRST 50HOURS WORKING AND EVERY 100HOURS WORKING
 - USE OF OIL
 - USE THE BETTER QUALITY OIL CC CLASS OIL OF API SERVICE CLASSIFICATION
 - SUMMER(OVER 25°C)----- SAE30 STANDARD (0°C ~ 25°C)----- SAE20
 - WINTER(UNDER 0°C)----- SAE 10W OR SAE 10W/30
- MISSION AND FRONT AXLE**
- CHECK AND REPLACE THE SPECIFIED OIL AFTER FIRST 50HOURS WORKING AND EVERY 300HOURS WORKING (PULL OUT THE AIR FROM THE OIL FILTER AND PIPE BEFORE POURING OIL)
 - USE OF OIL
 - TRANSMISSION - THF500(GENUINE OIL)
 - RECOMMENDABLE OIL
 - CHEVRON SYNTHETIC ALL-WEATHER THF (CHEVRON)
 - SHELL DONAX TO LOW VIB (SHELL)
 - MOBILFLUID LT (MOBIL)
 - FRONT AXLE-HYPOID GEAR OIL #80 OR #90
- GREASE**
- GREASE AFTER EVERY TIME WORKING IN MUDDY FIELD AND EVERY 50HOURS WORKING



PARTS	ENGINE	TRANSMISSION	FRONT AXLE
POWER	7L(1.85gal U.S)	42L(11.09gal U.S)	16.3L(4.3gal U.S)
5SPS(5SPS)			

8

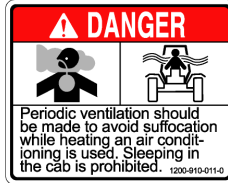
4

10

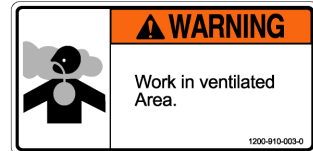


9

1/1A



12



13

QUALITY MATTERS

3

SPEED TABLES

APPLICATION	TRENCHER PLANTER	ROTAVATOR	RUD- DING	ROW CULTIVATOR	DRIVE		
SPEED	1	2	3	4	5	10	15
E/G-2500rpm	[Graph showing speed curves for different applications]						
MAIN SHIFT	1	2	3	4	1	2	3
SUB SHIFT	L	M	H				
CREEP	ON	OFF					

* The data reported in this publication are also subject to variation and consequently are not.
 * Don't work the traction, escape marsh, heavy work at creep on.

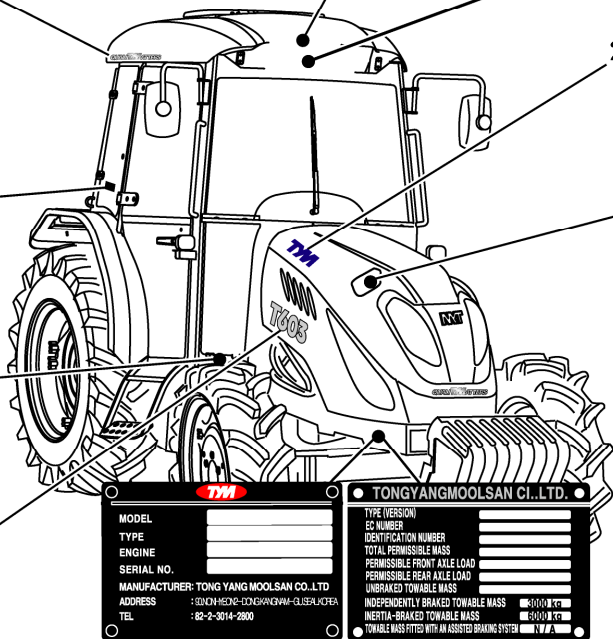
11



15



16



1/1A

TONGYANGMOOLSAN CI.,LTD.	
MODEL	
TYPE	
ENGINE	
SERIAL NO.	
MANUFACTURER: TONG YANG MOOLSAN CO.,LTD	
ADDRESS : 320N,HEUNG-DONGYANGNAM-GU,SEKJONG	
TEL : 82-2-3014-2900	
TYPE (MISSION)	
EC NUMBER	
IDENTIFICATION NUMBER	
TOTAL PERMISSIBLE MASS	
PERMISSIBLE FRONT AXLE LOAD	
PERMISSIBLE REAR AXLE LOAD	
UNBRAKED TOWABLE MASS	
INDEPENDENTLY BRAKED TOWABLE MASS	
INERTIA-BRAKED TOWABLE MASS	
TOWABLE MASS FITTED WITH AN ASSISTED BRAKING SYSTEM	

17

17A

T543/603E-903A

NOTE

FIG 903

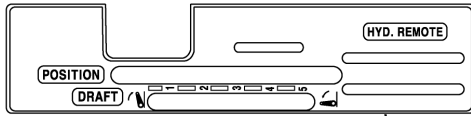
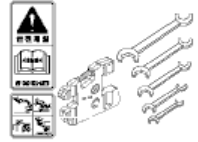
T543T603

LABEL

P2

Year / Month

2007 / 07



WARNING

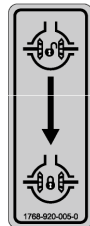
Always fasten Your seat belt.

1200-910-019-0

WARNING

Push the button to lock position with joystick lever is neutral whenever the implement is not operation.

1769-910-009-0



WARNING

Never use the diff lock at high speed or on the road as this can cause rollover and injury.

1200-910-006-0

WARNING

Always set the knob to lock when

- 1.Travelling on the road.
- 2.Replacing blades on an implement
- 3.Making adjustment to an implement

Sudden dropping of an implement can cause serious injury or death.

1200-910-004-0

WARNING

Do not use the sub shift lever at "H" position when driving backward.

1200-910-001-0

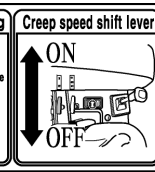
Creep speed Operation!warning

Don't use creep speed as shown below works.

- 1)Tow Loads
- 2)Front loader
- 3)Blade work
- 4)Civil Engineering work
- 5)In & out the jobsite
- 6)Heavy Industry

Brake engagement at creep speed.

- 1)Be sure to depress clutch pedal before depress brake pedal.
- 2)Don't depress brake strongly as shaft reduction ratio of creep speed is very high and high torque.



Creep speed Operation!warning

Don't use creep speed as shown below works.

- 1)Tow Loads
- 2)Front loader
- 3)Blade work
- 4)Civil Engineering work
- 5)In & out the jobsite
- 6)Heavy Industry

Brake engagement at creep speed.

- 1)Be sure to depress clutch pedal before depress brake pedal.
- 2)Don't depress brake strongly as shaft reduction ratio of creep speed is very high and high torque.



CAUTION

When use creep speeds, remove this cotter pin as shown, and then can engage creep lever. Lock creep lever with this cotter pin to avoid unintended transmission damage caused by using prohibited working condition.

1996-904-104-0

DANGER

Do not ride except operator.

1200-910-018-0

WARNING

Attach implements and trailers to the tractor only using the prescribed drawbar or hitch.

1200-910-014-0

DANGER

Rotating driveline contact can cause death. KEEP AWAY!

Keep all drive line. Tractor and equipment shields in place during operation.

1200-910-013-0

CAUTION

REMOTE VALVE "C" is "Floating Detent" TYPE

- Always select "NEUTRAL" before starting the engine.
- Always select "NEUTRAL" after completing the hydraulic operation.

Remote hydraulic valve instruments

Remote valve couplers are numbered A and B from the bottom upward, and are operated by the corresponding remote control levers on the right hand.

PORT (B) SPRING TYPE : ACT. → N ← ACT.

Remote valve couplers

Remote control levers

TONGYANGMOOLSAN CO.,LTD.

TYPE T-CD1

EEC NO.

S e13 0042

TOWABLE MASS 6000KG

VERTICAL LOAD 500KG

TONGYANGMOOLSAN CO.,LTD.

TYPE T-CM

MODEL C431.T-M

Serial No. 65ST Y12

EEC NO.

S e13 0097

Application Model

T431/T550/T543/603/653

This cab structure was tested in accordance with SAE J2194 and ISO 5700 for use on the following Tong Yang tractor model T560 (T431) with a maximum weight(GVV) of 5600 LBF

Manufacturer by DONG SUNG,KOREA

(~2007.01.01)

Remote hydraulic valve instruments

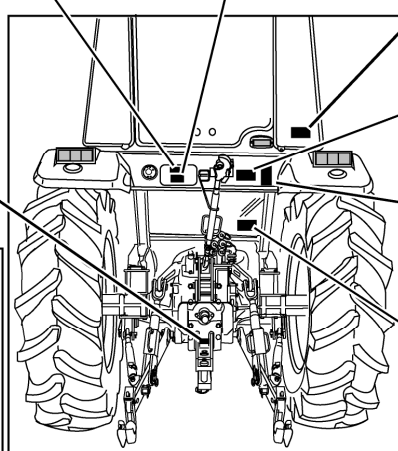
Remote valve couplers

Remote control levers

Remote valve couplers are numbered A,B and C from the bottom upward, and are operated by the corresponding remote control levers on the right hand.

PORT (B) SPRING TYPE :ACT. → N ← ACT.

Connect the implement to the remote couplers adequately.



CAUTION Please follow the assembly order when attaching the Lower Link and Lift Rod.

Lift Arm

Lift Rod

Lower Link

Rotary (A) (B)

PLOW (C) (D)

Others (E) (F)

(A)(FIXED) (B)(SLIDING)

NOTE

T543/T603-E-903A

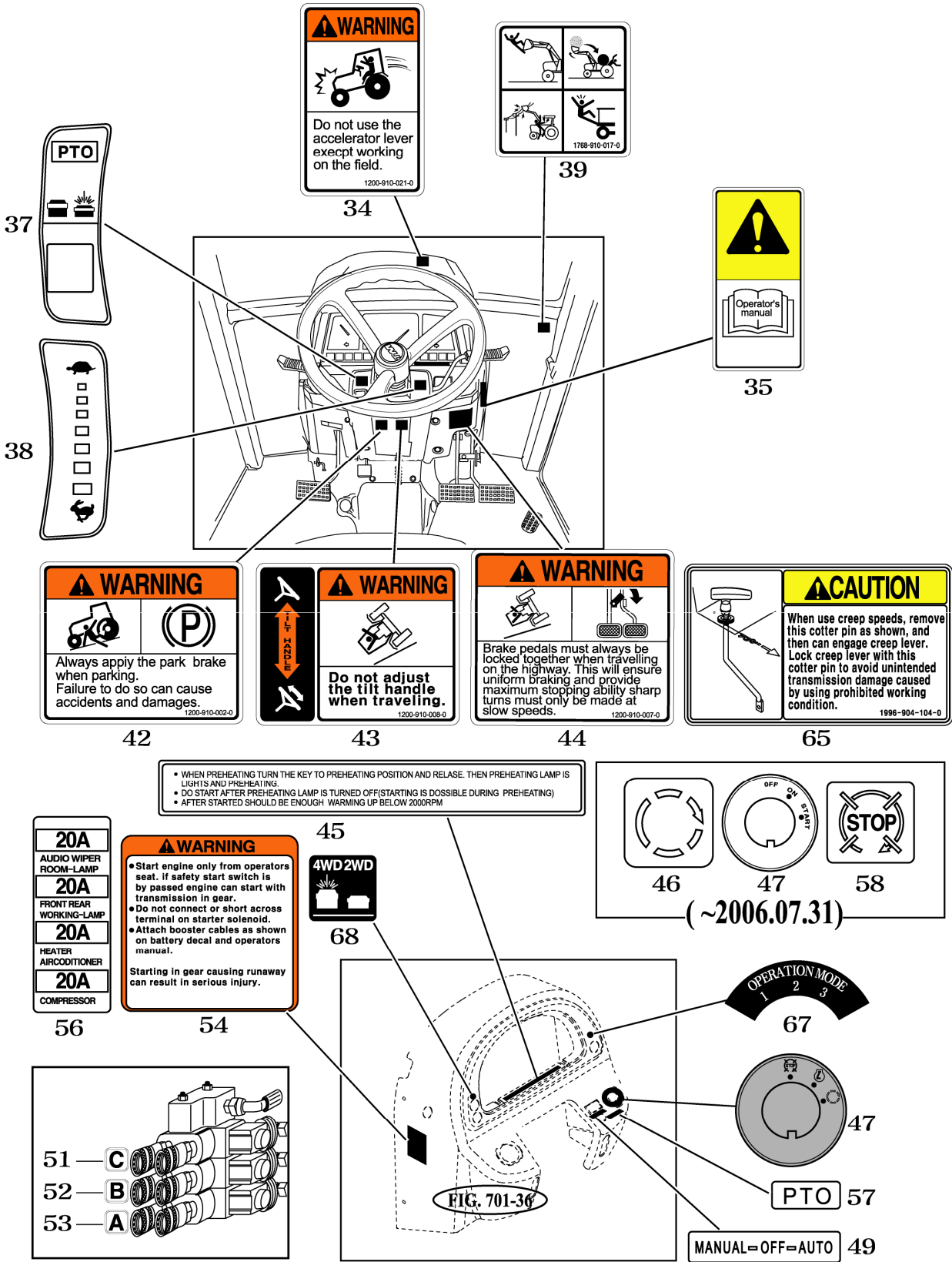
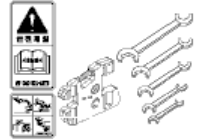
33

FIG 903
T543T603

LABEL

P3

Year / Month
2007 / 07



T543/T603/-E-903A

NOTE


FIG 202		RADIATOR					P1	Year / Month	
T543/T603								2007 / 02	
KEY NO.	PART NO.	DESCRIPTION	SPEC.	QTY.			REPAIR	EFFECTIVE DATE	REMARKS
				T543ST	T603ST	T603SP			
202 001	19951042101	RADIATOR ASSY		1	1	1			
202 00101	16601042160	.CAP ASSY		1	1	1			
202 003	19951042202	SHROUD COMP		1	1	1			
202 004	16601042340	SPONGE , 495		2	2	2			
202 005	19956040052	INSULATOR , LH RADIATOR	T=30	1	1	1			
202 006	19956040062	INSULATOR , RH RADIATOR	T=30	1	1	1			
202 007	19951040132	INSULATOR , HOOD		1	1	1			
202 008	19951040142	INSULATOR UNDER	420X40T	1	1	1			
202 009	19951040110	HOSE(RADIATOR/OUTLET)		1	1	1			
202 010	19951040012	HOSE(RADIATOR/INLET)		1	1	1			~2006.06.08
202 010	19951040013	HOSE(RADIATOR/INLET)		1	1	1			2006.06.09~
202 011	14241010050	CLIP , 42		1	1	1			
202 012	14271010220	CLIP , 50		5	5	5			
202 013	19951040121	HOSE(RADIATOR/OUTLET)2	L=80	1	1	1			
202 014	14628202600	PIPE COMP		1	1	1			
202 015	15231041000	CONNECTOR ASSY		1	1	1			2006.07.01~
202 01501	15231040100	.CONNECTOR		1	1	1			
202 01502	16991113132	.PLUG		1	1	1			
202 016	17995010150	HOSE . 500		1	1	1			2006.09.07~
202 017	36423600080	CLIP , HOSE D=12.5		2	2	2			2006.09.07~
202 021	19951040151	HOSE , DRAIN		1	1	1			
202 024	14171020050	BAND , HOSE	D=15	2	2	2			
202 025	19951142000DG	BRACKET COMP , LH RADIATOR		1	1	1			
202 026	19951142100DG	BRACKET COMP , RH RADIATOR		1	1	1			
202 027	V2183608030	BOLT , HEX/SP	M8X30	4	4	4			
202 028	V2193606025	BOLT , HEX/SPL	M6X25	4	4	4			
202 029	V4111600060	WASHER , PLAIN		2	2	2			2007.02.12~
202 030	17401042302DG	NET COMP		1	1	1			
202 031	V2123606012	BOLT , HEX /SP	M6X12	2	2	2			~2007.02.11
202 031	V2712606012	BOLT , WING	M6X12	2	2	2			2007.02.12~
202 032	19951040100DG	SHIELD , LH		1	1	1			
202 033	19951040090DG	SHIELD , RH		1	1	1			
202 034	V2183608020	BOLT , HEX/SP	M8X20	4	4	4			
202 035	14441010161	CLAMP , RADIATOR HOSE		1	1	1			
202 036	15641040160	INSULATOR		2	2	2			~2006.11.19
202 036	15641040161	INSULATOR		2	2	2			2006.11.20~
202 040	14046210300	GROMMET		8	8	8			
202 041	15991040050	COLLAR , 08X12X08	12X1.8	8	8	8			
202 041	15991040050	COLLAR , 08X12X08	12X1.7	4	4	4			2007.08.31~
202 042	35652030040	COLLAR , PACKER SHAFT	T=1.0	8	8	8			
202 043	19841040050	COLLAR , 08X12X12		4	4	4			2007.08.31~
202 047	V2183608012	BOLT , HEX/SP	M8X12	1	1	1			
202 048	16991040020	INSULATOR , RADIATOR	T=10	1	1	1			
202 060	16003302100	TANK ASSY , RESERVE		1	1	1			
202 061	36753302201DG	HOLDER COMP , TANK/RESERVE		1	1	1			
202 062	V2183608025	BOLT , HEX/SP	M8X25	2	2	2			
202 063	35602010150	WASHER , BIND SHAFT		12	12	12			~2007.08.31
202 063	35602010150	WASHER , BIND SHAFT		8	8	8			2007.09.01~
NOTE									

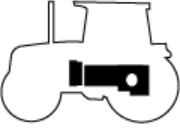
FIG 417		REAR DIFFERENTIAL GEARS					P1	Year / Month	
T543/T603								2007 / 02	
KEY NO.	PART NO.	DESCRIPTION	SPEC.	QTY.			REPAIR	EFFECTIVE DATE	REMARKS
				T543ST	T603ST	T603SP			
417 000	19963031000	DIFF SET , RR T553HP		1	1	1			*
417 001	17973030011M	CASE , DIFF		1	1	1			*
417 002	V5801408040	PIN , SPRING	8X40	1	1	1			*
417 003	V4011600100	WASHER , SPRING	M10	12	12	12			*
417 004	V2024610025	BOLT , HEX FINE	M10X25	12	12	12			*
417 005	V5801405036	PIN , SPRING	5X36	1	1	1			*
417 006	17973030060	PINION , DIFF 10		2	2	2			*
417 007	17973030070	COLLAR , PINION		2	2	2			*
417 009	17973030091	GEAR , BEVEL 16LH		1	1	1			*
417 010	17973030100	COLLAR , THRUST		2	2	2			*
417 011	17973030110	SHAFT , DIFF PINION		1	1	1			*
417 012	17973030121	GEAR , BEVEL 16RH		1	1	1			*
417 013	17973030131M	METAL , DIFF		1	1	1			
417 014	17973030030	BUSH , 40X44X20		1	1	1			*
417 015	17973030150	SHIM , 0.1		4	4	4			
417 016	V2173610030	BOLT , HEX/S	M10X30	6	6	6			
417 017	V6001106214	BEARING , BALL	6214	1	1	1			*
417 018	17973030160	SHIM , 0.2		8	8	8			
417 019	19963022100	GEAR SET , 11-48T		1	1	1			*
417 01901	19963022110	.PINION,BEVEL 11		1	1	1			*
417 01902	17973022120	.GEAR , BEVEL 48		1	1	1			*
417 020	17973030201	SHIM , 95X109.8X1.5		1	1	1			
417 021	17973030211	SHIM , 95X109.8X0.1		3	3	3			
417 022	17973030020	NUT , M40 P1.5		1	1	1			
417 023	15643010031	BEARING , TAPER ROLLER		2	2	2			
417 024	19963010040M	METAL , PINION		1	1	1			
417 025	V2173610030	BOLT , HEX/S	M10X30	4	4	4			
417 026	17973030220	SHIM , 95X109.8X1.0		1	1	1			
417 028	19963030280	PINION , LH WHEEL		1	1	1			
417 029	19963030290	PINION , RH WHEEL		1	1	1			
417 030	V6001106310	BEARING , BALL	6310	2	2	2			
417 032	V7041400500	C-RING , SHAFT	50	2	2	2			
417 034	17973033400	SLEEVE COMP		1	1	1			*
417 035	V6001106212	BEARING , BALL	6212	1	1	1			
417 038	V7051401100	C-RING , HOLE	R110	1	1	1			
417 039	17973030391	SHAFT , DIFF LOCK		1	1	1			
417 040	V4111600200	WASHER , PLAIN	M20	3	3	3			
417 041	V7421203007	SEAL , OIL/G	G203006	2	2	2			
417 042	17973030420	SPRING		1	1	1			
417 043	17973030431M	FORK , DIFF		1	1	1			
417 044	V5801408036	PIN , SPRING	8X36	1	1	1			
417 045	V5801405036	PIN , SPRING	5X36	1	1	1			
417 046	17973034601	PEDAL COMP , DIFF LOCK		1	1	1			
417 047	V5801406032	PIN , SPRING	6X32	3	3	3			
417 048	V7051401100	C-RING , HOLE	R110	2	2	2			
417 051	15993162000DG	PEDAL COMP , DIFF LOCK		1	1	1			
		-NEXT-							
NOTE	* NOT SERVICED SEPARATELY								

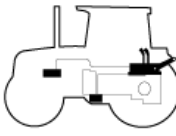
FIG 612A		HITCH & 3-POINT LINK					P1	Year / Month	
T543/T603								2007 / 02	
KEY NO.	PART NO.	DESCRIPTION	SPEC.	QTY.			REPAIR	EFFECTIVE DATE	REMARKS
				T543ST	T603ST	T603SP			
612A 001	17975202000DG	BRACKET COMP , DRAW		1	1	-			USM,AUZ *
612A 001A	19945202000DG	BRACKET COMP , DRAW		1	1	1			EU
612A 002	V2013614035	BOLT , HEX	M14X35	4	4	4			EU,USM,AUZ *
612A 003	V4011600140	WASHER , SPRING	M14	4	4	4			EU,USM,AUZ *
612A 004	V2013616035	BOLT , HEX	M16X35	2	2	2			EU,USM,AUZ *
612A 005	V3043600160	NUT , HEX/2	M16	2	2	2			EU,USM,AUZ *
612A 006	V4011600160	WASHER , SPRING	M16	4	4	4			EU,USM,AUZ *
612A 007	16992470010DG	LINK , DRAW BAR		1	1	-			USM,AUZ *
612A 007A	13602470010DG	LINK , DRAW BAR		1	1	1			EU
612A 008	15132470021DG	LINK , HITCH		1	1	-			USM,AUZ *
612A 008A	13602470020DG	LINK , HITCH		1	1	1			EU
612A 009	V2003616070	BOLT , HEX	M16X70	2	2	2			EU,USM,AUZ *
612A 010	15189240010	NUT , U		2	2	2			EU,USM,AUZ *
612A 011	V4011600160	WASHER , SPRING	M16	2	2	2			EU,USM,AUZ *
612A 012	15062470042	PIN , TRAILER		1	1	-			USM,AUZ *
612A 012A	S0973063031	PIN , TRAILER		1	1	1			EU
612A 013	15062470050	PIN , DRAW BAR		1	1	1			EU,USM,AUZ *
612A 014	15252470010	RUBBER , CUSHION		1	1	-			USM,AUZ *
612A 015	14215020020	PIN , LINK		2	2	-			USM,AUZ *
612A 015A	14215020020	PIN , LINK		1	1	1			EU
612A 016	V2013610030	BOLT , HEX	M10X30	1	1	1			EU,USM,AUZ *
612A 017	V3043600100	NUT , HEX/2	M10	1	1	1			EU,USM,AUZ *
612A 022	V2013616035	BOLT , HEX	M16X35	3	3	3			EU,USM,AUZ *
612A 023	V4011600160	WASHER , SPRING	M16	5	5	5			EU,USM,AUZ *
612A 029	17975254100DG	BRACKET COMP , LH		1	1	1			EU,USM,AUZ *
612A 030	15605202113DG	COVER , SHIELD		1	1	-			USM,AUZ *
612A 030A	13605200011DG	COVER , SHIELD		1	1	1			EU
612A 031	V2183608016	BOLT , HEX/SP	M8X16	4	4	4			EU,USM,AUZ *
612A 034	17975254200DG	BRACKET COMP , RH		1	1	1			EU,USM,AUZ *
612A 035	V2173612030	BOLT , HEX/S	M12X30	8	8	8			EU,USM,AUZ *
612A 038	17975252710	PIN , LOWER LINK		1	1	1			EU,USM,AUZ *
612A 039	17975252810	PIN , LOWER LINK		1	1	1			EU,USM,AUZ *
612A 041	V4011600140	WASHER , SPRING	M14	6	6	6			EU,USM,AUZ *
612A 043	V2013614060	BOLT , HEX	M14X60	6	6	6			EU,USM,AUZ *
612A 044	17995200501	BRACKET ASSY		1	1	-			USM,AUZ *
612A 044A	19945200500	BRACKET ASSY		1	1	1			EU
612A 045	17995222001DG	.BRACKET COMP		1	1	-			USM,AUZ *
612A 045A	19945222000DG	.BRACKET COMP		1	1	1			EU
612A 046	17975222101DG	.LINK COMP		1	1	1			EU,USM,AUZ *
612A 047	17995220990	.RUBBER , GUIDE		1	1	1	B		EU,USM,AUZ *
612A 048	15645250010	.PIN , 19X122		2	2	2			EU,USM,AUZ *
612A 049	15645220020	.PIN , 19X95		1	1	1			EU,USM,AUZ *
612A 050	14445140051	.PIN , 19		3	3	3			EU,USM,AUZ *
612A 055	17995201002DG	LINK ASSY . TOP LINK		1	1	1			EU,USM,AUZ *
612A 05501	17995201300	.ROD COMP , RH		1	1	1			EU,USM,AUZ *
612A 05502	17995201100	.ROD COMP , LH		1	1	1			EU,USM,AUZ *
612A 05503	17995201202	.SLEEVE COMP		1	1	1			EU,USM,AUZ *
		-NEXT-							
NOTE	* AUZ (2007.01.01~)								

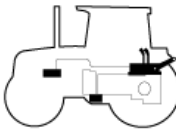
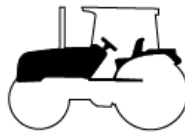
FIG 612B		HITCH & 3-POINT LINK					P1	Year / Month	
T543/T603								2007 / 02	
KEY NO.	PART NO.	DESCRIPTION	SPEC.	QTY.			REPAIR	EFFECTIVE DATE	REMARKS
				T543ST	T603ST	T603SP			
612B 001	17975202000DG	BRACKET COMP , DRAW		1	1	-		~2006.12.31	AUZ
612B 002	V2013614035	BOLT , HEX	M14X35	4	4	-		~2006.12.31	AUZ
612B 003	V4011600140	WASHER , SPRING	M14	4	4	-		~2006.12.31	AUZ
612B 004	V2013616035	BOLT , HEX	M16X35	2	2	-		~2006.12.31	AUZ
612B 005	V3043600160	NUT , HEX/2	M16	4	4	-		~2006.12.31	AUZ
612B 006	V4011600160	WASHER , SPRING	M16	4	4	-		~2006.12.31	AUZ
612B 007	16992470010DG	LINK , DRAW BAR		1	1	-		~2006.12.31	AUZ
612B 008	15132470021DG	LINK , HITCH		1	1	-		~2006.12.31	AUZ
612B 009	V2003616070	BOLT , HEX	M16X70	2	2	-		~2006.12.31	AUZ
612B 010	15189240010	NUT , U		2	2	-		~2006.12.31	AUZ
612B 011	V4011600160	WASHER , SPRING	M16	2	2	-		~2006.12.31	AUZ
612B 012	15062470042	PIN , TRAILER		1	1	-		~2006.12.31	AUZ
612B 013	15062470050	PIN , DRAW BAR		1	1	-		~2006.12.31	AUZ
612B 014	15252470010	RUBBER , CUSHION		1	1	-		~2006.12.31	AUZ
612B 015	14215020020	PIN , LINK		2	2	-		~2006.12.31	AUZ
612B 016	V2013610030	BOLT , HEX	M10X30	1	1	-		~2006.12.31	AUZ
612B 017	V3043600100	NUT , HEX/2	M10	1	1	-		~2006.12.31	AUZ
612B 022	V2013616035	BOLT , HEX	M16X35	3	3	-		~2006.12.31	AUZ
612B 023	V4011600160	WASHER , SPRING	M16	5	5	-		~2006.12.31	AUZ
612B 029	17975254100DG	BRACKET COMP , LH		1	1	-		~2006.12.31	AUZ
612B 030	15605202113DG	COVER , SHIELD		1	1	-		~2006.12.31	AUZ
612B 031	V2183608016	BOLT , HEX/SP	M8X16	4	4	-		~2006.12.31	AUZ
612B 034	17975254200DG	BRACKET COMP , RH		1	1	-		~2006.12.31	AUZ
612B 035	V2173612030	BOLT , HEX/S	M12X30	8	8	-		~2006.12.31	AUZ
612B 038	17975252710	PIN , LOWER LINK		1	1	-		~2006.12.31	AUZ
612B 039	17975252810	PIN , LOWER LINK		1	1	-		~2006.12.31	AUZ
612B 041	V4011600140	WASHER , SPRING	M14	6	6	-		~2006.12.31	AUZ
612B 043	V2013614060	BOLT , HEX	M14X60	6	6	-		~2006.12.31	AUZ
612B 044	17995200501	BRACKET ASSY		1	1	-		~2006.12.31	AUZ
612B 045	17995222001DG	BRACKET COMP		1	1	-		~2006.12.31	AUZ
612B 046	17975222101DG	LINK COMP		1	1	-		~2006.12.31	AUZ
612B 047	17995220990	RUBBER , GUIDE		1	1	-	B	~2006.12.31	AUZ
612B 048	15645250010	PIN , 19X122		2	2	-		~2006.12.31	AUZ
612B 049	15645220020	PIN , 19X95		1	1	-		~2006.12.31	AUZ
612B 050	14445140051	PIN , 19		3	3	-		~2006.12.31	AUZ
612B 055	17995201002DG	LINK ASSY . TOP LINK		1	1	-		~2006.12.31	AUZ
612B 05501	17995201300	ROD COMP , RH		1	1	-		~2006.12.31	AUZ
612B 05502	17995201100	ROD COMP , LH		1	1	-		~2006.12.31	AUZ
612B 05503	17995201202	SLEEVE COMP		1	1	-		~2006.12.31	AUZ
612B 05504	17995201400	NUT , LOCK		1	1	-		~2006.12.31	AUZ
612B 059	17974500590	STOPPER ASSY , TOP LINK		1	1	-		~2006.12.31	AUZ
612B 061	17995201500	BALL , TOP LINK		1	1	-		~2006.12.31	AUZ
612B 063	14215020020	PIN , LINK		2	2	-		~2006.12.31	AUZ
612B 070	V4111600060	WASHER , PLAIN	M6	1	1	-		~2006.12.31	AUZ
612B 071	V5001925015	PIN , SPLIT	2.5X15	1	1	-		~2006.12.31	AUZ
612B 080	17995253004DG	LINK ASSY , ADJUSTER		2	2	-		~2006.12.31	AUZ
612B 081	17995253101	ROD ASSY , TIE		2	2	-		~2006.12.31	AUZ
		-NEXT-							
NOTE	* AUZ (~ 2006.12.31)								

FIG 701		BONNET (1)					P1	Year / Month	
T543/T603								2007 / 02	
KEY NO.	PART NO.	DESCRIPTION	SPEC.	QTY.			REPAIR	EFFECTIVE DATE	REMARKS
				T543ST	T603ST	T603SP			
701 001	17686013502	SPRING		2	2	2			
701 002	V2183608020	BOLT , HEX/SP	M8X20	4	4	4			
701 003	19956052002DG	FRAME(HOOD SUPPORT) COMP		1	1	1			
701 004	16996024552	PIN		2	2	2			
701 005	V4111600080	WASHER , PLAIN		2	2	2			
701 006	V5001920020	PIN , SPLIT		2	2	2			
701 007	19956054600DG	HOOD OPEN BRACKET COMP		1	1	1			
701 008	V2183608016	BOLT , HEX/SP	M8X16	8	8	8			
701 009	19956022100	HOOD LOCK COMP		1	1	1			
701 010	19957022201	DAMPER ASSY		2	2	2			
701 011	V3802600080	NUT , HEX FLANGE	M8	4	4	4			
701 013	17686020600	LOCK COMP , HOOD		1	1	1			
701 014	19956020651	CABLE ASSY , HOOD		1	1	1			
701 015	15601160083	PIN , 06X16		1	1	1			
701 016	V4111600060	WASHER , PLAIN		1	1	1			
701 017	V5001920020	PIN , SPLIT		1	1	1			
701 018	V2053606035	BOLT , HEX C/R	M6X35	2	2	2			
701 019	19956011003DG	FRAME(HOOD/FRONT) COMP		1	1	-			~2006.09.06
701 019	19956011004DG	FRAME(HOOD/FRONT) COMP		1	1	-			2006.09.07~
701 019A	19956011004DG	FRAME(HOOD/FRONT) COMP		-	-	1			
701 020	V2183608020	BOLT , HEX/SP	M8X20	1	1	1			
701 021	19951040132	INSULATOR , HOOD		1	1	1			
701 022	19956024711	INSULATOR , HOOD(PROTECT HEAT)		1	1	1			
701 023	19956301042	INSULATOR , HOOD		1	1	1			
701 024	19956023100DG	SIDE LOCK COMP		2	2	2			
701 025	17686013502	SPRING		2	2	2			
701 026	V2183608020	BOLT , HEX/SP	M8X20	4	4	4			
701 028	V2183608020	BOLT , HEX/SP	M8X20	4	4	4			
701 029	V2183610020	BOLT , HEX/SP	M10X20	2	2	2			
701 030	V2113606035	BOLT , HEX/SP	M6X35	4	4	5			
701 031	35605033020	WASHER , WIRE WITHDRAWAL	M6	4	4	5			
701 032	V2183608025	BOLT , HEX/SP	M8X25	1	1	1			
701 033	V2514412040	BOLT , STUD/2	M12X40	2	2	2			
701 034	V4011600120	WASHER , SPRING	M12	2	2	2			
701 035	V3043600120	NUT , HEX/2	M12	2	2	2			
701 036	V2183608020	BOLT , HEX/SP	M8X20	4	4	4			
701 037	19956130021	COVER(DASH)		1	1	1			~2007.06.19
701 037	19956130022	COVER(DASH)		1	1	1			2007.06.20~
701 038	16996024721	INSULATOR , DASH COVER		1	1	1			
701 039	V2193606016	BOLT , HEX/SPL	M6X16	4	4	4			
701 040	V1212608016	SCREW , C/R PAN/S	M8X16	2	2	2			
701 041	16991600080	WASHER , HOOD FRAME	M8	2	2	2			
701 042	14723282202	ROD COMP , HOOD FRAME		1	1	1			
701 043	14322420010	PIN		1	1	1			
701 044	V5601600008	PIN , SNAP		1	1	1			
701 045	V4111600080	WASHER , PLAIN	M8	1	1	1			
701 047	V3802600080	NUT ,HEX	M8	2	2	2			
		- NEXT -							
NOTE									

FIG 714		INTERIOR PART					P1	Year / Month	
T543/T603								2007 / 02	
KEY NO.	PART NO.	DESCRIPTION	SPEC.	QTY.			REPAIR	EFFECTIVE DATE	REMARKS
				T543ST	T603ST	T603SP			
714 004	V2173612020	BOLT , HEX/S	M12X20	2	2	2			
714 005	17667028600	MIRROR ASSY		2	2	-			USM,AUZ
714 005A	13606312000	MIRROR ASSY		2	2	2	C		EU
714 008	15666562003	LAMP ASSY , COMBINATION		2	2	-	C		USM,AUZ
714 008A	13606562000	LAMP ASSY , COMBINATION		2	2	2	C		EU
714 00801	15646542130	.BULB , 12V 21W		2	2	2	B		USM,AUZ
714 00802	15666562040	.BULB , 12V 5W		2	2	2	B		USM,AUZ
714 009	14046210300	GROMMET		4	4	4			
714 010	17977026700	ANTENNA ASSY		1	1	1		~2007.11.25	
714 010	17977072300	ANTENNA ASSY		1	1	1		2007.11.26~	
714 011	16997026801	ASHTRAY ASSY		1	1	1			
714 012	16997020630	HANGER		2	2	2		~2007.01.16	
714 012	16997020630	HANGER		1	1	1		2007.01.17~	
714 013	V1122604012	SCREW , C/R FLAT	M4X12	4	4	4		~2007.01.16	
714 013	V1122604012	SCREW , C/R FLAT	M4X12	2	2	2		2007.01.17~	
714 014	V1122605016	SCREW , C/R FLAT	M5X16	3	3	3			
714 021	16997028102	WALL BOARD , LH SIDE FRAME		1	1	1			
714 022	16997027202	WALL BOARD , RH RR FRAME		1	1	1			
714 023	16997027302	WALL BOARD , LH SIDE FRAME		1	1	1			
714 024	16997027402	WALL BOARD , RH SIDE FRAME		1	1	1			
714 031	16997027602	HARNESS ASSY , CAB FRAME		1	1	-			
714 031A	13267027600	HARNESS ASSY , CAB FRAME		-	-	1			
714 032	17977013062	SEAT , FLOOR PANEL		1	1	1		~2006.09.29	
714 032	17977013063	SEAT , FLOOR PANEL		1	1	1		2006.09.30~	
714 033	17977010670	SEAT , LH FENDER		1	1	1			
714 034	17977010680	SEAT , RH FENDER		1	1	1			
714 035	17976303830DG	PLATE		1	1	1		2006.09.30~	
714 036	V2113606020	BOLT , HEX /S		3	3	3		2006.09.30~	
714 039	19957033100	TANK ASSY , 2MOTOR		1	1	-			
714 039A	19847033100	TANK ASSY , 2MOTOR		-	-	1			
714 040	V2193606016	BOLT , HEX/SPL		1	1	1			
714 041	16606070031	CAP , 9		4	4	4			
714 045	16997021960	INSULATOR , 32		2	2	2			
714 046	16421040010	INSULATOR		3	3	3			
714 047	16997021881	TUBE , CORRUGATE 110		2	2	2			
714 050	17977011770	TAPE		20	20	20			
714 051	16997027801DG	STAY COMP , LH MIRROR		1	1	-			USM,AUZ

KEY NO.	PART NO.	DESCRIPTION	SPEC.	QTY.			REPAIR	EFFECTIVE DATE	REMARKS
				T543ST	T603ST	T603SP			
714 052	16997027901DG	STAY COMP , RH MIRROR		1	1	-			USM,AUZ
714 053	16997020150	TAPE SET		1	1	1			
714 054	16997020160	BOOT , DIFF LOCK		1	1	1			
714 055	17977020550	BOOT , PTO		1	1	1			
714 058	17977013050	TAPE,600		1	1	1			
714 059	19947027800DG	STAY COMP , MIRROR		2	2	2			EU
714 060	19946640010DG	PLATE, LAMP		2	2	2			EU
714 061	V2014612035	BOLT , HEX	M12X35	2	2	2			EU
714 062	V3043600120	NUT , HEX/2	M12	2	2	2			EU
714 063	V4011600120	WASHER , SPRING	M12	2	2	2			EU
714 064	V4111600120	WASHER , PLAIN	M12	2	2	2			EU
NOTE									






FIG 715		HEATER & AIR-CON					P1	Year / Month	
T543/T603								2007 / 02	
KEY NO.	PART NO.	DESCRIPTION	SPEC.	QTY.			REPAIR	EFFECTIVE DATE	REMARKS
				T543ST	T603ST	T603SP			
715 001	14628303200	COMPRESSOR ASSY		1	1	1	B		
715 002	V2183608020	BOLT , HEX/S	M8X20	3	3	3			
715 003	19955807200DG	COMPRESSOR BRACKET COMP		1	1	1		~2006.11.06	
715 003	19955807201DG	COMPRESSOR BRACKET COMP		1	1	1		2006.11.07~	
715 004	19958079300	V BELT , 53A		1	1	1		~2006.12.31	
715 004	19958079400	V BELT , 54A		1	1	1		2007.01.01~	
715 005	238-9621	PULLEY		1	1	1			ENG. Part NO.
715 006	V2173608025	BOLT , HEX/S	M8X25	2	2	2			
715 007	V2183608025	BOLT , HEX/SP	M8X25	1	1	1			
715 008	19956011301DG	BRACKET COMP, COUPLING		1	1	1			
715 009	V2183608020	BOLT , HEX/SP	M8X20	2	2	2			
715 017	19958302902	HOSE ASSY , DISCHARGE		1	1	1			
715 018	19958303701	CONDENSER ASSY		1	1	1			
715 019	V2183608025	BOLT , HEX/SP	M8X25	2	2	2			
715 020	19958302300	PIPE(HOSE) ASSY		1	1	1			
715 021	V2712608025	BOLT , WING		2	2	2			
715 022	19958303400	DRYER ASSY		1	1	1			
715 023	V2183608020	BOLT , HEX/SP		1	1	1			
715 025	19958302402	LIQ.HOSE ASSY NO2		1	1	1			
715 026	16998302501	COUPLING ASSY , COOLING HIGH P		1	1	1			
715 027	19958302602	LIQ.HOSE(NO3) ASSY		1	1	1			
715 028	16998302702	HOSE ASSY		1	1	1	C		
715 029	16998302805	EVAPORATOR ASSY		1	1	1			
715 02901	16998303000	.EXPANSION VALVE ASSY		1	1	1	C		
715 030	16998302901	HOSE , SUCTION		1	1	1	C		
715 031	19958303101	HOSE(SUC. NO2) ASSY		1	1	1			
715 032	16998303201	COUPLING ASSY , COOLING LOW PR		1	1	1			
715 033	19958302802	HOSE ASSY , SUCTION		1	1	1			
715 034	16998300060	HOSE , DRAIN		1	1	1			
715 035	37481850030	BAND , HOSE 18.5		2	2	2			
715 036	16998300090	HOSE , RH DRAIN		1	1	1			
715 046	16998200110	HOSE . VALVE OUT		1	1	1			
715 047	16998200120	HOSE . VALVE IN		1	1	1			
715 048	37681850160	BAND , CLAMP(22)		2	2	2			
715 049	17688202100	VALVE ASSY , WATER		1	1	1			
715 050	17688202200	PLATE COMP		1	1	1			
715 051	V1902604008	SCREW , TAPPING C/R PAN	M4X8	4	4	4			
715 052	16998200021	HOSE , HEATER		1	1	1	C		
715 053	17688200050	ELBOW , 90		2	2	2			
715 054	19958200040	HEATER HOSE(IN, NO1)	L=900	1	1	1		~2006.12.29	
715 054	19958200041	HEATER HOSE(IN, NO1)	L=1010	1	1	1		2006.12.30~	
715 057	19958200070	HEATER HOSE(OUT, NO1)	L=900	1	1	1			
715 058	16601850160	BAND , 20		4	4	4			
715 059	16601850160	BAND , 20		4	4	4		~2007.07.22	
715 059	16601850160	BAND , 20		2	2	2		2007.07.23~	
715 060	16608304202DG	NET COMP , CONDENSER		1	1	1			
715 061	37681850160	BAND , 22		2	2	2		2007.07.23~	
		-NEXT-							
NOTE									

FIG 903		LABEL					P1	Year / Month	   
T543/T603								2007 / 02	
KEY NO.	PART NO.	DESCRIPTION	SPEC.	QTY.			REPAIR	EFFECTIVE DATE	REMARKS
				T543ST	T603ST	T603SP			
903 001	19959010040	MARK, ORNAMENT(T603)		-	2	2			T603 Only
903 001A	19949010040	MARK, ORNAMENT(T543)		2	-	-			T543 Only
903 002	19959041130	LABEL, HOOD		2	2	2			
903 003	19959100050	LABEL, CABIN ROOFLABEL, HOOD(FR)		2	2	2			
903 004	12009100120	LABEL , CAUTION FAN		1	1	1			
903 005	12209041221	LABEL , VENTILATION		1	1	1			
903 006	12109040060	LABEL , CAUTION GLOW		1	1	1			
903 007	12009100240	LABEL , CAUTION MUFFLER		1	1	1			
903 008	17099040051	LABEL , OIL		1	1	1			
903 009	12009100050	LABEL , WARNING FIRE		1	1	1			
903 010	19959100060	LABEL, HOOD(FR)		1	1	1			
903 011	19959010030	LABEL , SPEED		1	1	1			
903 012	12009100110	LABEL , DANGER AIR CONDITIONER		1	1	1			
903 013	12009100030	LABEL , WARNING EXHAUST		1	1	1			
903 015	12009100150	LABEL , WARNING RADIATOR		2	2	2			
903 016	17699100100	LABEL , WARNING JOYSTICK		1	1	1			
903 017	T0019010020	LABEL , MODEL/EN		1	1	-			USM,AUZ
903 017A	13609040222	LABEL , MODEL ENGLISH		1	1	1			EU
903 019	19959040120	LABEL , CONTROL POSITION		1	1	1			
903 020	19959040250	LABEL , CREEPER/4WD		1	1	-			
903 020A	19849040250	LABEL , CREEPER		-	-	1			
903 021	12009100190	LABEL , WARNING BELT		1	1	1			
903 022	12009100160	LABEL , DANGER RIDING		1	1	1			
903 024	17689200050	LABEL , DIFF		1	1	1			
903 025	12009100060	LABEL , WARNING DIFF		1	1	1			
903 026	12009100040	LABEL , WARNING STOP VALVE		1	1	1			
903 027	12009100010	LABEL , WARNING SUB SHIFTER		1	1	1			
903 029	12009100130	LABEL , DANGER PTO		1	1	1			
903 030	12005300040	LABEL , HYDRAULIC CONTROL		1	1	1		~2007.01.01	
903 030	12005300041	LABEL , HYDRAULIC CAUTION		1	1	1		2007.01.02~	
903 032	12909045040	LABEL , CABIN		1	1	1		~2006.07.11	EU
903 032	19959045040	LABEL , CABIN		1	1	1		2006.07.12~	EU
903 033	12209040101	LABEL , CAUTION 3P		1	1	-			AUZ
903 034	12009100210	LABEL , WARNING THROTTLE		1	1	1			
903 035	12009100230	LABEL , CAUTION MANUAL		1	1	1			
903 036	17699100090	LABEL , WARNING JOYSTICK		1	1	1			
903 037	16509030040	LABEL , CONTROL PTO		1	1	1			
903 038	16509030050	LABEL , CONTROL THROTTLE		1	1	1			
903 039	17689100170	LABEL , CAUTION SAFETY		1	1	1			
903 042	12009100020	LABEL , WARNING PARKING		1	1	1			
903 043	12009100080	LABEL , WARNING TILTING		1	1	1			
903 044	12009100070	LABEL , WARNING BREAK		1	1	1			
903 045	12209040150	LABEL , CAUTION STARTER		1	1	1			
903 046	13609040180	LABEL , CONTROL ID		1	1	1		~2006.07.31	
903 047	19959040960	LABEL , KEY		1	1	1		~2006.07.31	
903 047	19959040961	LABEL , KEY		1	1	1		2006.08.01~	
903 049	12109040260	LABEL . CONTROL PTO		1	1	1			
		- NEXT -							
NOTE									

CHASSIS

2007.02

KEY NO.	PART NO.
204 001	PART NO.
903 030	12005300040
903 030	12005300041
903 027	12009100010
903 042	12009100020
903 013	12009100030
903 026	12009100040
903 009	12009100050
903 025	12009100060
903 044	12009100070
903 043	12009100080
903 012	12009100110
903 004	12009100120
903 029	12009100130
903 055	12009100140
903 015	12009100150
903 022	12009100160
903 021	12009100190
903 034	12009100210
903 035	12009100230
903 007	12009100240
305 003	12104372600MS
903 006	12109040060
903 049	12109040260
903 056	12209010100
903 033	12209040101
903 045	12209040150
903 060	12209040780
903 005	12209041221
601 020	12305180020
607 036	12403160020
602 011	12505240060
602 010	12505243500
903 054	12609040620
903 032	12909045040
903 031	12909045050
406 005	13022250030
407 010	13022250030
411 005	13022250030
414 002	13022250030
416 006	13022250030
612 087	13059310030
902 009	13103612060
305A 009	13153409000
305B 009	13153409000
306A 005	13153409000
306B 005	13153409000
610 004	13155110040
803 036	13156642201
201 001	13261032000

KEY NO.	PART NO.
601 000	13265009100
608 015	13265080150
401 007	13267060022
609 031	13267060022
711 049A	13307028200
715 077	13424020060
805 012	13424020060
612 007A	13602470010DG
612 008A	13602470020DG
902 012	13603063000
205 00105A	13603102000
612 030A	13605200011DG
804 019	13606212000
714 005A	13606312000
714 008A	13606562000
705 025	13606571000
804 007	13606642401
704 002	13607010011DG
802 016A	13607023301
704 004	13607024000
903 058	13609040170
903 046	13609040180
903 017A	13609040222
903 059	13609040231
206 033	13651210050
407 015	13667012020
805 013	13764020030
901 002	14019060050
206 019	14041170080
302 016	14041200080
304 012	14041200080
303 018	14043120060
310 007	14043120060
202 040	14046210300
714 009	14046210300
715 074	14046210300
206 015	14141170050
309 005	14151060010
407 007	14151210090
202 024	14171020050
612 015	14215020020
612 015A	14215020020
612 063	14215020020
612A 015	14215020020
612A 063	14215020020
901 014	14215020020
706 022	14216020051
715 075	14216210380
901 012	14219060031
202 011	14241010050

KEY NO.	PART NO.
502 027	14251320150
407 033	14256210040
704 007	14256210040
711 024	14256210040
802 013	14256210040
202 012	14271010220
501 012	14272010160
501 036	14273170040
407 018	14276010030
301 029	14321200040
304 024	14321200040
302 010	14322420010
304 009	14322420010
310 010	14322420010
407 024	14322420010
701 043	14322420010
608 001	14322420040
706 023	14326160020
804 026	14326210061
705 005	14326210110
706 025	14326510210
713 018	14326510210
706 007	14346110021
706 042	14346110021
202 035	14441010161
501 027	14441010161
807 021	14441010161
406 026	14442180090
403 006	14443140041
402 031	14443140080
409 007	14443140091
402 032	14443150040
403 036	14444110140
503 017	14444120090
609 040	14445100080
612 050	14445140051
612A 050	14445140051
613 072	14445140060
901 019	14446213201
405 017	14462162180
805 006	14466220030
205 00104	14481112300
204 006	14501410050
205 037	14501410050
205 037A	14501410050
503 024	14501410050
601 013	14501410050
406 029	14502810074
901 001	14509050001
705 006	14526250010

KEY NO.	PART NO.
---------	----------

KEY NO.	PART NO.
---------	----------

KEY NO.	PART NO.
---------	----------

REF. NO.	PART NO.	
708	021	14527032200
708	017	14527032401
308	010	14614072700
202	014	14628202600
715	001	14628303200
701	042	14723282202
611	01801	14725182100
609	015	14801020070
504	018	14884110090
305	004	14894192110
804	003	14946300010
706	036	14946300031
612	012	15062470042
612A	012	15062470042
612	013	15062470050
612A	013	15062470050
306	004	15063172110
306	005	15063172120
612	008	15132470021DG
612A	008	15132470021DG
307	033	15184060060
307	028	15184060080DG
503	008	15184072401
601	016	15184322500
704	035	15186070020
804	025	15186213200
801	001	15186214401
706	026	15187221070
707	020	15187455520
903	053	15189030060
903	052	15189030070
612	010	15189240010
612A	010	15189240010
704	025	15196040050
801	008	15221120011DG
202	01501	15231040100
202	015	15231041000
302	003	15241220010
304	005	15241220010
410	006	15242360050
415	008	15242360050
612	014	15252470010
612A	014	15252470010
306	00303	15263202031
306	00303A	15263202031
306	00304	15263202041
306	00304A	15263202041
306	00305	15263202050
306	00305A	15263202050
706	043	15276040020

REF. NO.	PART NO.	
203	010	153-7920
206	021	15441170051
407	019	15441170051
302	018	15441230050
206	004	15601160083
206	027	15601160083
701	015	15601160083
206	032	15601162305DG
206	014	15601162506DG
302	017	15601320011
304	013	15601320011
302	00804	15601320073
403	015	15602080224
410	020	15602080224
404	007	15602160083
405	019	15602200040
406	019	15602230018M
406	012	15602230074
406	023	15602230085
411	020	15602230085
406	010	15602230124
406	009	15602231600
416	013	15602231610
407	01202	15602232002
407	001	15602250015M
407	006	15602250025
407	012	15602252200
407	01201	15602252300
414	001	15602650021M
411	023	15602800044
406	025	15602900063
411	021	15602900063
304	020	15603140010
304	01402	15603142910
607	035	15603160025
305	010	15603200010
305	010A	15603200010
305A	004	15603200010
305B	004	15603200010
307	027	15604040010DG
307	025	15604042101DG
603	024	15605070070
607	001	15605110054
609	014	15605150031
612	030	15605202113DG
612A	030	15605202113DG
704	022	15606082203
704	031	15606092013
704	031	15606092014
704	034	15606092103

REF. NO.	PART NO.	
706	004	15606300030
712	016	15606642103
804	001	15606642500
804	002	15606642520
406	014	15612230026M
803	002	15616603100
805	010	15616743300
603	017	15640040001
202	036	15641040160
202	036	15641040161
707	025	15641040170
206	030	15641160013
302	00101	15641320020
403	013	15642080090
403	008	15642160041
404	012	15642160041
410	003	15642160041
405	018	15642212010
405	020	15642212020
405	011	15642212040
405	012	15642212050
405	013	15642212060
405	014	15642212070
405	015	15642212080
405	022	15642212090
406	007	15642230033M
406	008	15642230043M
410	005	15642430093
415	007	15642730052
415	011	15642730082
706	014	15642850024DG
417	023	15643010031
303	004	15643102611
304	003	15643142402
201	012	15645100100
709	031	15645120010
608	002	15645120032DG
612	049	15645220020
612	095	15645220020
612A	049	15645220020
612A	095	15645220020
612	048	15645250010
612A	048	15645250010
706	005	15646300120
714	00801	15646542130
802	01601	15646542130
407	016	15662832004
304	001	15663142402
714	008	15666562003
714	00802	15666562040

KEY NO.	PART NO.	
802	01602	15666562110
804	021	15666642000
404	017	15683020010
612	100	15685100020DG

KEY NO.	PART NO.	
403	027	16492092001
404	008	16492092001
306	004A	16493172110
305	005A	16494370011

KEY NO.	PART NO.	
308	006	16754070010
308	007	16754070020
308	008	16754070030
309	00201	16754362000

612A	100	15685100020DG
807	037	15686682121
305	004A	15694372102
804	01401	15756230100
804	01402	15756230110
712	017	15816212900
707	005	15817401120DG
707	006	15817401130
708	013	15817401130
708	020	15817401130
709	016	15817401130
707	007	15817401140DG
707	016	15817421020
708	014	15817421020
709	017	15817421020DG
404	018	15933070521
705	016	15966250010
705	010	15966250030DG
601	017	15975010011M
202	041	15991040050
715	072	15991040050
411	008	15992590020M
417	051	15993162000DG
307	034	16001200080
206	001	16001220000DG
202	060	16003302100
711	010	16007010351
711	011	16007010361
711	020	16007010410
711	020	16007010412
711	021	16007010420
711	021	16007010422
713	001	16007010522SR
713	001	16007010523SR
711	025	16007018100DG
711	026	16007019100DG
802	016	16007023300
406	021	16007060020
411	018	16007060020
415	014	16322732000
418	009	16323040010
418	010	16323040020
405	021	16342212050
706	041	16421040010
714	046	16421040010
611	01802	16490110001

402	010	16502070020
307	007	16504010020
307	009	16504010060
715	083	16506040431
803	033	16507020030
803	052	16507021950
903	037	16509030040
903	038	16509030050
202	00101	16601042160
202	004	16601042340
302	00803	16601220020
715	058	16601850160
715	059	16601850160
706	013	16602850021
305	005	16604370010
714	041	16606070031
802	00801	16606212210
706	030	16606300030
206	045	16606510210
501	022	16606510210
706	027	16606510210
706	038	16606510210
712	013	16606691000
712	014	16606691080
805	001	16606702100
707	017	16607202100
707	01701	16607202200
707	01702	16607202300
707	011	16607425821
712	004	16608103100
715	060	16608304202DG
803	027	16626582402
408	012	16701015000
408	012	16701015001
412	026	16702190060
414	014	16702190060
405	010	16702212030
414	019	16702440021
308	011	16704072800
605	005	16705060060
706	028	16736300010
304	014	16753143001
304	019	16753143200DG
304	022	16753143600DG
307	035	16754042100DG
307	032	16754042201DG

309	00301	16754363000
804	027	16756214701
706	035	16756300010
206	047	16791220010
302	02102	16791300012M
302	02103	16791300020
306	005A	16903200010
202	048	16991040020
203	002	16991050010
202	01502	16991113132
206	050	16991160010
206	050	16991160011
701	041	16991600080
612	007	16992470010DG
612A	007	16992470010DG
712	023	16992604120
713	026	16992604120
412	003	16992610070
411	028	16992912104DG
412	004	16992990040
306	00302	16993182110
306	00302A	16993182110
306	00302	16993182110MS
306	00302A	16993182110MS
306	00301A	16993182120
306	00301A	16993182120MS
307	036	16994011990
307	001	16994012001
307	00101	16994012020
307	020	16994043202DG
308	002	16994072250
306	006A	16994370020
305	003A03	16994372180
305	003A04	16994372190
608	019	16995152360
613A	050	16995252502
613A	071	16995252601
612A	089	16995253090
702	008	16996015511
701	004	16996024552
701	038	16996024721
711	009	16996043100
704	016	16996062601DG
802	008	16996212200
801	007	16996503001
713	01601	16996549160

KEY NO.	PART NO.	
707	002	16997010012
707	003	16997010021
708	004	16997010061
710	013	16997010061
711	045	16997010061
708	011	16997010081
708	012	16997010091
709	001	16997010151
709	002	16997010161

KEY NO.	PART NO.	
709	041	16997021000
714	047	16997021881
712	038	16997021930
711	003	16997021950
712	019	16997021950
206	049	16997021960
714	045	16997021960
712	022	16997021980
712	021	16997021991

KEY NO.	PART NO.	
707	028	16997033400
709	030	16997301081
715	052	16998200021
715	046	16998200110
715	047	16998200120
715	062	16998201110
715	076	16998201771
715	078	16998201880
715	034	16998300060

709	003	16997010172
709	005	16997010180
709	006	16997010190DG
709	007	16997010210
709	011	16997010220
709	012	16997010230
709	013	16997010240
709	019	16997010251
710	002	16997010271
710	003	16997010282
709	032	16997010290
710	010	16997010310
710	012	16997010331
712	001	16997010516
713	002	16997010531
713	003	16997010541
713	012	16997010550
713	013	16997010560DG
713	021	16997010582
706	019	16997010654
713	081	16997010720
713	082	16997010730
711	007	16997011970
711	006	16997011981
711	005	16997011991
708	017	16997012300
708	018	16997012400
712	026	16997013020
713	025	16997017500
707	023	16997017600
707	024	16997017610
709	040	16997020000
708	001	16997020031
708	002	16997020041
708	003	16997020051
708	010	16997020071
708	010	16997020072
714	053	16997020150
714	054	16997020160
714	012	16997020630
714	012	16997020630

707	015	16997022200
709	004	16997022501DG
709	020	16997022602DG
709	021	16997022702DG
709	024	16997022810
709	034	16997022820
709	025	16997022910
707	004	16997023900DG
712	003	16997024200DG
712	006	16997024300
712	007	16997024401
712	008	16997024500
712	009	16997024601
712	010	16997024700
713	015	16997024700
712	011	16997024802
712	015	16997025100DG
712	020	16997025200DG
713	004	16997025501
713	009	16997025600DG
713	010	16997025701DG
713	014	16997025800
713	016	16997025900
712	039	16997026800
714	011	16997026801
714	022	16997027202
714	023	16997027302
714	024	16997027402
714	031	16997027602
707	030	16997027700
714	051	16997027801DG
714	052	16997027901DG
714	021	16997028102
711	049	16997028201
713	030	16997028500
709	023	16997028900
709	02301	16997028990
713	032	16997030010
713	033	16997030020
713	039	16997030040
707	027	16997032000

715	036	16998300090
715	026	16998302501
715	028	16998302702
715	029	16998302805
715	030	16998302901
715	02901	16998303000
715	032	16998303201
711	015	16999910100
711	015	16999910101
310	002	17073202100
903	008	17099040051
202	030	17401042302DG
603	025	17405070130
705	006	17406250010
706	021	17406300081
713	024	17407017400
712	030	17407019990
712	035	17407021661
712	025	17407021910
712	012	17407024900
901	017	17525252500
705	026	1766630010DG
714	005	17667028600
605	002	17680070000
309	004	17682600140
407	021	17682842000
304	042	17682853040
308	001	17684072001
503	001	17684339111M
701	001	17686013502
701	025	17686013502
701	013	17686020600
402	035	17686080080
705	011	17686250032DG
804	010	17686641110
205	00102	17686642400
709	020	17687022601DG
709	021	17687022701DG
712	036	17687025000
712	040	17687025300
707	031	17687030031

KEY NO.	PART NO.	
715	053	17688200050
715	049	17688202100
715	050	17688202200
903	051	17689030080
903	039	17689100170
903	024	17689200050
903	036	17699100090
903	016	17699100100
306	00301	17703172200
306	00301	17703172200MS
712	011	17817024800
712	034	17817024900
205	036	17971020020
205	001	17971110002

KEY NO.	PART NO.	
408	001	17972300010M
408	021	17972300110M
408	032	17972330411M
409	005	17972400050
409	011	17972400110
411	001	17972590010
411	003	17972590031M
411	006	17972590042
414	009	17972652003
415	016A	17972709000
415	002	17972730010
415	004	17972730060
415	005	17972730091
415	006	17972730110

KEY NO.	PART NO.	
417	012	17973030121
417	013	17973030131M
417	015	17973030150
417	018	17973030160
417	020	17973030201
417	021	17973030211
417	026	17973030220
417	039	17973030391
417	042	17973030420
417	043	17973030431M
417	034	17973033400
417	046	17973034601
417	060	17973039000
418	001	17973040011M

205	00101	17971112103
205	007	17971114101DG
205	028	17971114201DG
205	021	17971114301DG
205	041	17971114400DG
301	00101	17971213100
301	00102	17971213200
301	001	17971219000
611	032	17971850140
403	022	17972090020
403	016	17972090060
403	009	17972090090
403	014	17972090140
403	026	17972090140
403	007	17972090160
403	033	17972090170
403	029	17972090290
405	004	17972100010
402	024	17972120030
402	025	17972130020
402	026	17972130030
402	019	17972130300
402	01901	17972130310
402	01902	17972130320
402	011	17972130330
404	022	17972141600
416	015A	17972190101
405	007	17972210071
405	030	17972210301
405	003	17972210310
405	009	17972212000
406	020	17972230020M
406	001	17972230110
406	002	17972230120
412	017	17972250030
407	009	17972250090M

415	009A	17972730151
415	017A	17972730201
415	021	17972730230
415	025	17972730271
415	001A	17972739000
416	001	17972750011
416	004	17972750040M
416	008	17972751002
416	019	17972752301
411	025	17972810100
411	017	17972812001
412	001	17972820010
412	002	17972820020
412	005	17972820051
412	008	17972820080
412	011	17972820110M
412	020	17972820200
412	025	17972820252
412	012	17972820401
412	013	17972820500
412	024	17972820700
414	028	17972820800
407	026	17972840010DG
416	012	17972852001DG
304	040	17972853051
414	027	17972880220
406	031	17972912000
417	01902	17973022120
417	001	17973030011M
417	022	17973030020
417	014	17973030030
417	006	17973030060
417	007	17973030070
417	009	17973030091
417	010	17973030100
417	011	17973030110

418	002	17973040021M
418	005	17973040050
418	013	17973040130
418	018	17973040180
418	022	17973040220
418	017	17973041000
303	002	17973100020
303	005	17973100050
303	006	17973100060M
303	007	17973100070
303	008	17973100080M
303	011	17973100111
303	021	17973100141
303	016	17973100160
303	026	17973100260M
303	028	17973100280M
303	024	17973102001DG
304	025	17973102100
304	029	17973102200DG
304	030	17973102300DG
303	001	17973102401
303	025	17973102501
303	023	17973102600DG
304	008	17973142501DG
610	008	17974072500
612	059	17974500590
612A	059	17974500590
601	000	17975009100
607	009	17975070102
607	009	17975070103
607	037	17975070120
608	014	17975120030DG
609	048	17975152001
609	04801	17975152010
609	04802	17975152101
901	015	17975152101

326

KEY NO.	PART NO.	
610	007	17975152330
609	034	17975162400
608	016	17975163000
611	036	17975180361
611	018	17975182000
612	001	17975202000DG
612A	001	17975202000DG
612	046	17975222101DG
612A	046	17975222101DG
612	038	17975252710
612A	038	17975252710
612	039	17975252810
612A	039	17975252810
612	029	17975254100DG
612A	029	17975254100DG
612	034	17975254200DG
612A	034	17975254200DG
704	018	17976063601DG
705	001	17976252201DG

KEY NO.	PART NO.	
504	003	17994340030
504	004	17994340040
504	005	17994340050
504	006	17994340060
504	007	17994340070
504	012	17994340120
504	013	17994340130
504	014	17994340140
504	016	17994340160
504	020	17994340200
504	021	17994340210
504	001	17994341000
504	00101	17994341010
504	00102	17994341020
504	015	17994342011
504	019	17994342021
505	001	17994350011M
505	003	17994350030
505	004	17994350040

KEY NO.	PART NO.	
507	003	17994420030
507	003	17994420031
507	005	17994420050
507	006	17994420060
507	007	17994420070
506	020	17994510010M
601	001	17995010013M
601	008	17995010081M
601	011	17995010110
202	016	17995010150
601	015	17995010150
601	021	17995010210
601	022	17995010220
602	001	17995020010M
602	002	17995020021M
602	003	17995020030
602	005	17995020200M
602	006	17995020200M
603	001	17995030010M

705	014	17976262000DG
705	015	17976262100DG
706	055	17976300550
706	008	17976303803DG
714	035	17976303803DG
706	008	17976303804DG
205	00103	17976642301
710	011	17977010320
711	008	17977010340
706	019	17977010650
714	033	17977010670
714	034	17977010680
714	050	17977011770
714	058	17977013050
714	032	17977013062
714	032	17977013063
711	041	17977016410
711	042	17977016420
711	043	17977016430DG
711	044	17977016440
714	055	17977020550
711	001	17977023100
714	010	17977026700
305	003A05	17984372170
305	003A01	17984372211
305	003A01	17984372211MS
710	001	17987010260
503	023	17991024200
402	015	17991304510
504	011	17991400600
504	002	17994340020M

505	006	17994350060
505	007	17994350070
505	010	17994350100
505	011	17994350110
503	011	17994360110
503	015	17994360150
503	022	17994360221
601	012	17994360221
503	025	17994360250
309	001	17994362000
309	002	17994363000
309	002	17994363001
309	00202	17994363200
309	00302	17994363200
309	003	17994364000
309	003	17994364001
503	002	17994369000
305	003A02	17994372110
305	003A02	17994372110MS
506	001	17994410011M
506	002	17994410020
506	004	17994410040
506	005	17994410050
506	007	17994410070
506	008	17994410080
506	010	17994410100
506	011	17994410110
506	013	17994410130
506	018	17994410151
507	001	17994420010
507	002	17994420020

603	003	17995030030
603	004	17995030040
603	005	17995030050M
603	00601	17995030060M
603	00601	17995030061M
603	00602	17995030070
603	006	17995031000
603	015	17995031500
604	005	17995040011
604	012	17995040121
604	013	17995040130
604	018	17995040140
604	015	17995040150
604	016	17995040160
604	017	17995040170
604	011	17995041100
606	003	17995041200
604	014	17995041400
606	001	17995041500
605	003	17995050030
605	006	17995050063
601	009	17995050090
605	001	17995050100
606	005	17995060050
606	011	17995060061
606	012	17995060120
606	015	17995060150
606	016	17995060160
606	009	17995061300
606	014	17995061400
606	018	17995061800

KEY NO.	PART NO.	
607	008	17995070080
607	012	17995070120
607	014	17995070140
607	015	17995070150
607	017	17995070170
607	018	17995070180
607	020	17995070200
607	021	17995070211
607	022	17995070220
607	024	17995070241
607	027	17995070270
608	027	17995070270
607	034	17995070340
607	080	17995070801
607	011	17995071100
607	023	17995072300
608	009	17995080091
608	015	17995080151
608	017	17995080171
608	020	17995080201
608	008	17995080800
608	089	17995080890
608	089	17995080891
608	093	17995080931

KEY NO.	PART NO.	
613A	06001	17995242102
613A	06002	17995242202
613A	06003	17995242302
613A	06004	17995242402
613A	060	17995243003DG
612A	080	17995253004DG
612A	081	17995253101
612A	082	17995253200
612A	083	17995253301DG
613A	001	17995262201DG
613A	002	17995262301DG
704	032	17996092000DG
706	050A	17996122000
301	028	18001200040
401	012	18002011110
401	011	18004080020
204	008	183-4320
308	009	18994072601
801	002	18996502000
305A	008	19883172110
305A	007	19883172200MS
305B	007	19883172200MS
306A	004	19884172110
306A	003	19884172200MS

KEY NO.	PART NO.	
306	003	19943172000MS
306	001	19943202100
306	002	19943202200
902	008	19944073200DG
305	001	19944372800
305	002	19944372900
612	044A	19945200500
612	001A	19945202000DG
612	045A	19945222000DG
715	081	19946010900DG
715	079	19946010970DG
714	060	19946640010DG
802	019	19947010400DG
704	001	19947011100DG
707	001A	19947012100DG
707	001A	19947012100DG
707	001A	19947012101DG
802	016A	19947023300
714	059	19947027800DG
903	001A	19949010040
609	002	19951020010
203	007	19951030010
203	007	19951030011
201	001	19951032000

608	01501	17995080960
608	01502	17995080970M
608	081	17995088100
608	082	17995088200
608	083	17995088801
610	009	17995161130
611	040	17995161130
612	044	17995200501
612A	044	17995200501
612	055	17995201002DG
612A	055	17995201002DG
612	05502	17995201100
612A	05502	17995201100
612	05503	17995201202
612A	05503	17995201202
612	05501	17995201300
612A	05501	17995201300
612	05504	17995201400
612A	05504	17995201400
612	061	17995201500
612A	061	17995201500
612	047	17995220990
612A	047	17995220990
612	045	17995222001DG
612A	045	17995222001DG
613A	06005	17995240861

306B	003	19884172200MS
305A	005	19884402100
305A	006	19884402200
306A	001	19884403100
306A	002	19884403200
707	001B	19897012100DG
707	001B	19897012101DG
305B	005	19924502100
305B	006	19924502200
306B	001	19924503100
306B	002	19924503200
305B	008	19925172110
306B	004	19926172110
205	036A	19941020020
203	012	19941053100DG
418	040A	19943051000
418	050A	19943052000
303	001A	19943102400
303	025A	19943102500
310	001	19943162200DG
310	014	19943166100
310	013	19943166200
310	015	19943166500
310	005	19943166510
310	006	19943166520
306	003	19943172000

201	011	19951033001
201	013	19951034001
201	007	19951035001
202	010	19951040012
202	010	19951040013
202	033	19951040090DG
202	032	19951040100DG
202	009	19951040110
202	013	19951040121
202	007	19951040132
701	021	19951040132
202	008	19951040142
202	021	19951040151
202	001	19951042101
202	003	19951042202
203	004	19951050012DD
203	001	19951052001DD
203	001	19951052002DD
203	001	19951052003DD
203	006	19951054201DD
203	006	19951054202DD
203	006	19951054203DD
204	003	19951113202
204	005	19951113301
204	004	19951113401
205	038	19951113501

KEY NO.	PART NO.	
201	009	19951130010
201	015	19951132102DG
201	015	19951132103DG
202	025	19951142000DG
202	026	19951142100DG
206	038	19951160011
206	009	19951162002DG
206	008	19951162031
206	003	19951162201
206	022	19951162301
416	015	19952190100
415	016	19952709000
415	009	19952730150
415	017	19952730200
415	001	19952739000
406	034	19952913100DG
306	003A	19953182100
306	003A	19953182100MS
306	001A	19953202100
306	002A	19953202200
610	006	19954070010
308	004	19954072510
308	005	19954072601
308	003	19954072700
501	029	19954100010
501	030	19954100020
501	031	19954100030
502	004	19954102001DG
501	001	19954102202DG

KEY NO.	PART NO.	
609	012	19955153400
609	027	19955154101DG
611	041	19955161130
610	001	19955162501
610	00101	19955162510
610	00101	19955162511
610	00102	19955162520
610	00103	19955162531
609	006	19955200000
612	097	19955201600
613	070	19955243000DG
613	07004	19955243100
613	07001	19955245310
613	07002	19955245321
613	07003	19955245331
613	071	19955250010
612	086	19955250020
612	081	19955253000
612	08101	19955253100
612	08102	19955253200
613	00103	19955260010
613	00203	19955260010
613	001	19955262201DG
613	00101	19955262210
613	00102	19955262220
613	002	19955262301DG
613	00201	19955262310
613	00202	19955262320
715	003	19955807200DG

KEY NO.	PART NO.	
802	003	19956200060
702	006	19956200070
702	009	19956202012DG
702	010	19956202021PB
702	013	19956203012DG
702	014	19956203021PB
702	004	19956205102DG
801	009	19956210021
705	002	19956252300DG
702	016	19956300010
702	005	19956300021
702	007	19956300030
706	020	19956300070
701	023	19956301042
706	001	19956303200DG
802	001	19956522000
802	00101	19956522110
802	00201	19956522110
802	002	19956523000
802	001A	19956524000
802	004	19956524100
802	005	19956524200
702	022	19956524301DG
802	002A	19956525000
803	003	19956602100
806	001	19956682303
807	024	19956683102
806	016	19956683302
802	012	19956684200

501	001	19954102203DG
501	002	19954104302DG
502	001	19954310010
309	000	19954360000
503	010	19954361000M
503	014	19954361400M
305	001A	19954372100
305	003A	19954372200
305	003A	19954372200MS
305	002A	19954372300
607	033	19955070330DG
608	01503	19955080940
609	001	19955100000
609	039	19955100010
707	034	19955106100
610	005	19955110010
607	002	19955120030DG
609	047	19955151000DG
609	042	19955152200
609	036	19955152902DG
609	033	19955153302DG

715	003	19955807201DG
701	019	19956011003DG
701	019	19956011004DG
715	008	19956011301DG
702	018	19956013600
701	014	19956020651
701	009	19956022100
701	024	19956023100DG
701	022	19956024711
702	012	19956024721
202	005	19956040052
202	006	19956040062
702	020	19956043601
701	003	19956052002DG
701	048	19956052100
701	007	19956054600DG
704	023	19956082400DG
706	050	19956122000
701	037	19956130021
702	001	19956200012SR
702	002	19956200051PB

707	001	19957012101DG
707	001	19957012102DG
707	036	19957021100
707	037	19957021200
701	010	19957022201
711	002	19957023200
711	00201	19957023210
711	00202	19957023220
711	050	19957028100DG
714	039	19957033100
715	004	19958079300
715	004	19958079400
715	054	19958200040
715	054	19958200041
715	057	19958200070
715	068	19958301100
715	020	19958302300
715	025	19958302402
715	027	19958302602
715	033	19958302802
715	017	19958302902

329

KEY NO.	PART NO.	
715	031	19958303101
715	022	19958303400
715	018	19958303701
702	024	19959010010
903	011	19959010030
903	001	19959010040
903	019	19959040120
903	059	19959040230
903	020	19959040250
903	057	19959040270
903	047	19959040960
903	047	19959040961
903	002	19959041130
903	032	19959045040
903	003	19959100050
903	010	19959100060
902	001	19959294000DG
901	018	19959400010
901	013	19959500010
501	005	19959511001DG
902	007	19959609300
205	001A	19961110000
205	00101A	19961112100
301	027	19961210030M
301	021	19961210210M
302	021	19961302000
302	02101	19961302110
302	001	19961322000
302	00802	19961322300
302	008	19961322400
302	00801	19961333100
401	001	19962010010M
401	001	19962010020M
402	012	19962070311

KEY NO.	PART NO.	
413	001	19962650110
414	007	19962652200
417	024	19963010040M
417	019	19963022100
417	01901	19963022110
417	028	19963030280
417	029	19963030290
417	000	19963031000
418	015	19963040150
418	040	19963051000
418	050	19963052000
601	000	19965009100
608	015	19965080150
608	01501	19965080960
608	01501	19965080960
611	039	19965180390
611	037	19965183900
704	032	19966092000DG
706	002	19966300200
804	014	19966642100
804	005	19966683400
903	061	19969041040
715	005	238-9621
201	014	34513310040
206	041	34522200040
715	069	34522610100
802	009	34522812400
203	014	35602010150
713	022	35602010150
701	031	35605033020
801	010	35605033020
202	042	35652030040
715	073	35652030040
206	016	36104400180

KEY NO.	PART NO.	
611	033	37681850141
715	048	37681850160
605	009	76500800100
201	00105	P158914
201	00104	P522840
201	00102	P536121
201	00103	P536202
201	00101	P827653
201	00106	P829332
612A	085	S0010051430
612	012A	S0973063031
502	017	S2043251870
502	020	S2134001100
503	013	S2153020500
502	018	S2155901000
502	019	S2159903000
612A	086	S2167091721
613A	06007	S2169908420
712	031	S7557010550
903	017	T0019010020
804	029	V1112604030
805	002	V1112604030
711	048	V1112605030
603	022	V1112606040
714	013	V1122604012
714	013	V1122604012
607	030	V1122605012
714	014	V1122605016
708	005	V1122605035
710	004	V1122605035
710	014	V1122605035
711	046	V1122605035
708	019	V1122606016
707	038	V1122606020

403	001	19962090010
402	007	19962150320
404	005	19962160310
404	010	19962160321
404	002	19962160331
404	016	19962170161
404	015	19962173210
402	016	19962190011
409	001	19962400010M
410	004	19962430040
410	025	19962430250
410	026	19962430260
410	032	19962430320
411	002	19962590030M
413	006	19962650061
413	007	19962650070

803	053	36142612400
609	013	36313530021
202	017	36423600080
307	02001	36461020111
805	01001	36502702140
204	010	36503110020
412	029	36504400140
712	005	36522732400
205	00105	36523102201
304	00301	36707030080
304	01401	36707030080
202	061	36753302201DG
706	032	37371540030
204	007	37481850030
715	035	37481850030
901	011	37614120021

708	016	V1122606020
709	008	V1122608030
709	026	V1122608040
707	008	V1212606016
709	018	V1212606016
707	009	V1212606020
701	040	V1212608016
707	039	V1222605016
802	020	V1222605016
702	003	V1222606010
702	011	V1222606010
702	015	V1222606010
307	010	V1222608020
712	018	V1222806016
713	008	V1222806016
713	011	V1222806016

330

KEY NO.	PART NO.	
803	052	V1227005020
712	037	V1902604008
715	051	V1902604008
612	009	V2003616070
612A	009	V2003616070
501	004	V2004616050
501	004	V2004616050
302	006	V2013608020
302	004	V2013608030
406	035	V2013608035
411	029	V2013608035
609	029	V2013608035
406	015	V2013608050
604	006	V2013608050
205	023	V2013608055
609	007	V2013608055
205	024	V2013608060
611	020	V2013608090
607	026	V2013608110
612	016	V2013610030
612A	016	V2013610030
601	004	V2013610070
401	016	V2013612025
408	034	V2013612035
401	002	V2013612040
401	004	V2013612045
612	002	V2013614035
612A	002	V2013614035
408	004	V2013614040
501	006	V2013614040
612	043	V2013614060
612A	043	V2013614060
305	007	V2013616030
305	007A	V2013616030
305A	001	V2013616030
305B	001	V2013616030
612	004	V2013616035
612	022	V2013616035
612A	004	V2013616035

KEY NO.	PART NO.	
305A	001	V2014616030
305B	001	V2014616030
503	019	V2014616050
401	017	V2023610035
401	019	V2023610050
417	004	V2024610025
603	008	V2024612050
309	008	V2024612085
501	025	V2024614040
501	025	V2024614040
501	024	V2024614055
501	024	V2024614055
705	008	V2034616070
205	00107	V2053605010
701	018	V2053606035
206	039	V2113606012
804	009	V2113606016
609	038	V2113606020
714	036	V2113606020
701	030	V2113606035
202	031	V2123606012
702	021	V2123606012
802	006	V2123606016
707	014	V2123606020
804	006	V2123606020
711	012	V2123606025
711	047	V2123806016
607	025	V2173608012
608	003	V2173608012
206	031	V2173608016
304	017	V2173608016
307	026	V2173608016
402	033	V2173608016
406	013	V2173608016
407	025	V2173608016
602	004	V2173608016
603	014	V2173608016
605	008	V2173608016
609	011	V2173608016

KEY NO.	PART NO.	
303	010A	V2173608025
307	029	V2173608025
408	023	V2173608025
415	022	V2173608025
715	006	V2173608025
601	002	V2173608040
605	004	V2173608045
607	010	V2173608050
609	035	V2173608055
715	064	V2173608060
610	010	V2173608085
205	008	V2173610020
411	007	V2173610020
416	003	V2173610025
301	022	V2173610030
310	016	V2173610030
417	016	V2173610030
417	025	V2173610030
417	052	V2173610030
601	005	V2173610035
601	019	V2173610065
401	014	V2173612020
714	004	V2173612020
612	035	V2173612030
612A	035	V2173612030
705	023	V2173612030
418	006	V2173612045
418	003	V2173612090
202	047	V2183608012
304	018	V2183608016
407	027	V2183608016
409	008	V2183608016
501	028	V2183608016
502	009	V2183608016
612	031	V2183608016
612A	031	V2183608016
701	008	V2183608016
704	024	V2183608016
706	010	V2183608016

612A	022	V2013616035
705	003	V2013616035
507	013	V2014610030
505	016	V2014612030
506	016	V2014612035
714	061	V2014612035
705	019	V2014612075
503	007	V2014614055
505	014	V2014614055
305	007	V2014616030
305	007A	V2014616030

611	038	V2173608016
206	010	V2173608020
304	027	V2173608020
412	019	V2173608020
414	004	V2173608020
607	029	V2173608020
610	012	V2173608020
203	003	V2173608025
203	008	V2173608025
301	014	V2173608025
303	010	V2173608025

706	037	V2183608016
707	026	V2183608016
707	035	V2183608016
802	007	V2183608016
802	014	V2183608016
807	020	V2183608016
201	016	V2183608020
202	034	V2183608020
203	009	V2183608020
203	013	V2183608020
310	003	V2183608020

331

KEY NO.	PART NO.	
407	002	V2183608020
609	020	V2183608020
701	002	V2183608020
701	020	V2183608020
701	026	V2183608020
701	028	V2183608020
701	036	V2183608020
704	003	V2183608020
706	006	V2183608020
706	009	V2183608020
706	012	V2183608020
706	056	V2183608020
711	051	V2183608020
715	002	V2183608020
715	009	V2183608020
715	023	V2183608020
715	067	V2183608020
715	070	V2183608020
715	080	V2183608020
715	082	V2183608020
801	014	V2183608020
804	004	V2183608020
201	008	V2183608025
202	062	V2183608025
204	002	V2183608025
411	010	V2183608025
701	032	V2183608025
701	049	V2183608025
706	033	V2183608025
715	007	V2183608025
715	019	V2183608025
202	027	V2183608030
713	023	V2183608030
802	010	V2183608035
715	063	V2183608040
704	015	V2183608045
310	004	V2183608055
411	012	V2183608065
701	029	V2183610020
704	005	V2183610020
308	016	V2183610025
609	019	V2183610025
705	007	V2183610025
704	017	V2183610060

KEY NO.	PART NO.	
804	011	V2193606016
202	028	V2193606025
203	005	V2205408025
804	015	V2323606016
711	022	V2323606020
711	022	V2323606020
804	020	V2402606012
401	008	V2513408020
408	011	V2513408020
611	021	V2513408090
308	017	V2513410020
401	005	V2513412050
418	004	V2513412090
501	008	V2513414035
501	008	V2513414035
401	009	V2513414040
408	002	V2513414040
408	003	V2513414080
409	006	V2513416035
705	024	V2513416035
507	010	V2514410028
401	013	V2514412040
701	033	V2514412040
503	004	V2514414050
715	065	V2712606012
715	021	V2712608025
804	031	V3002600040
805	004	V3002600040
705	027	V3002600050
802	022	V3002600050
702	025	V3002600060
706	017	V3002600060
709	015	V3002600060
711	014	V3002600060
801	011	V3002600060
303	013	V3003600160
713	007	V3012600040
205	026	V3042600080
206	048	V3042600080
302	005	V3042600080
302	007	V3042600080
302	00805	V3042600080
304	045	V3042600080
407	003	V3042600080

KEY NO.	PART NO.	
406	037	V3043600080
411	030	V3043600080
604	007	V3043600080
606	019	V3043600080
609	003	V3043600080
709	010	V3043600080
709	029	V3043600080
802	011	V3043600080
308	019	V3043600100
507	012	V3043600100
607	013	V3043600100
608	026	V3043600100
612	017	V3043600100
612A	017	V3043600100
401	003	V3043600120
418	008	V3043600120
505	015	V3043600120
701	035	V3043600120
705	020	V3043600120
714	062	V3043600120
408	005	V3043600140
409	014	V3043600140
501	009	V3043600140
503	006	V3043600140
902	004	V3043600140
305	009	V3043600160
305	009A	V3043600160
305A	003	V3043600160
305B	003	V3043600160
501	010	V3043600160
612	005	V3043600160
612A	005	V3043600160
705	012	V3043600160
503	018	V3052600160
612A	091	V3202600240
613	00104	V3202600240
613	00204	V3202600240
206	020	V3232600100
307	004	V3232600100
502	021	V3313600180
406	038	V3342600100
411	032	V3342600100
412	028	V3342600100
414	026	V3342600100

705	017	V2183612020
204	009	V2193606016
701	039	V2193606016
702	023	V2193606016
704	033	V2193606016
714	040	V2193606016

414	005	V3042600080
611	022	V3042600080
706	024	V3042600080
801	012	V3042600080
603	021	V3042600100
704	006	V3042600100

416	014	V3342600100
306	007	V3343600220
306	007A	V3343600220
306A	006	V3343600220
306B	006	V3343600220
709	038	V3402700060

332

KEY NO.	PART NO.	
709	033	V3402700080
406	037	V3802600080
411	030	V3802600080
701	011	V3802600080
701	047	V3802600080
711	023	V3802600080
401	018	V4011000100
713	006	V4011600040
804	030	V4011600040
805	003	V4011600040
205	00106	V4011600050
705	028	V4011600050
802	021	V4011600050
603	023	V4011600060
702	026	V4011600060
706	016	V4011600060
709	014	V4011600060
203	011	V4011600080
205	018	V4011600080
406	016	V4011600080
407	004	V4011600080
407	028	V4011600080
414	006	V4011600080
607	032	V4011600080
609	004	V4011600080
609	008	V4011600080
611	019	V4011600080
702	019	V4011600080
709	009	V4011600080
709	028	V4011600080
801	013	V4011600080
308	018	V4011600100
417	003	V4011600100
507	011	V4011600100
601	003	V4011600100
607	016	V4011600100
608	024	V4011600100
309	007	V4011600120
401	006	V4011600120
401	015	V4011600120
408	035	V4011600120
418	007	V4011600120
506	015	V4011600120
603	009	V4011600120
701	034	V4011600120
705	018	V4011600120
714	063	V4011600120
902	011	V4011600120
408	007	V4011600140

KEY NO.	PART NO.	
501	026	V4011600140
501	026	V4011600140
503	005	V4011600140
505	013	V4011600140
612	003	V4011600140
612	041	V4011600140
612A	003	V4011600140
612A	041	V4011600140
902	005	V4011600140
303	012	V4011600160
305	008	V4011600160
305	008A	V4011600160
305A	002	V4011600160
305B	002	V4011600160
501	003	V4011600160
501	023	V4011600160
612	006	V4011600160
612	011	V4011600160
612	023	V4011600160
612A	006	V4011600160
612A	011	V4011600160
612A	023	V4011600160
705	004	V4011600160
705	009	V4011600160
306	008	V4011600220
306	008A	V4011600220
306A	007	V4011600220
306B	007	V4011600220
613	00107	V4011600240
613	00207	V4011600240
713	005	V4111600040
804	032	V4111600040
805	005	V4111600040
206	005	V4111600060
206	028	V4111600060
302	020	V4111600060
612	070	V4111600060
612A	070	V4111600060
701	016	V4111600060
702	027	V4111600060
706	015	V4111600060
711	013	V4111600060
205	025	V4111600080
206	040	V4111600080
206	051	V4111600080
302	011	V4111600080
303	019	V4111600080
304	010	V4111600080
310	008	V4111600080

KEY NO.	PART NO.	
407	005	V4111600080
407	022	V4111600080
407	029	V4111600080
412	021	V4111600080
414	023	V4111600080
610	011	V4111600080
701	005	V4111600080
701	045	V4111600080
702	017	V4111600080
704	038	V4111600080
709	027	V4111600080
206	017	V4111600100
206	025	V4111600100
307	006	V4111600100
406	039	V4111600100
411	033	V4111600100
412	027	V4111600100
414	025	V4111600100
416	016	V4111600100
607	007	V4111600100
412	030	V4111600120
714	064	V4111600120
902	010	V4111600120
902	006	V4111600140
303	014	V4111600160
607	005	V4111600160
608	005	V4111600160
612	085	V4111600180
613	073	V4111600180
304	006	V4111600200
416	023	V4111600200
417	040	V4111600200
612	094	V4111600200
612A	094	V4111600200
612A	090	V4111600240
613	00106	V4111600240
613	00206	V4111600240
613A	06006	V4111600240
206	006	V5001920020
206	026	V5001920020
206	029	V5001920020
302	019	V5001920020
303	020	V5001920020
307	005	V5001920020
310	009	V5001920020
310	012	V5001920020
407	023	V5001920020
407	032	V5001920020
412	022	V5001920020

409	013	V4011600140
-----	-----	-------------

310	011	V4111600080
-----	-----	-------------

414	024	V5001920020
-----	-----	-------------

333

KEY NO.	PART NO.	
701	006	V5001920020
701	017	V5001920020
704	036	V5001920020
612	071	V5001925015
612A	071	V5001925015
206	018	V5001925020
302	012	V5001925020
304	011	V5001925020
612	096	V5001950035
612A	088	V5001950035
612A	096	V5001950035
612A	092	V5001950050
613	00105	V5001950060
613	00205	V5001950060
407	013	V5111006036
304	00101	V5111008050
406	024	V5201006016
411	022	V5201006016
401	010	V5201010022
406	036	V5201010022
408	010	V5201010022
409	004	V5201010022
309	006	V5201012020
506	014	V5201012020
503	003	V5201014020
505	012	V5201014020
501	007	V5502040093
206	042	V5601600008
701	044	V5601600008
412	033	V5601600010
206	037	V5801403016
407	020	V5801403016
504	009	V5801403036
708	022	V5801404015
606	013	V5801404018
304	021	V5801404025
417	005	V5801405036
417	045	V5801405036
504	008	V5801405036
304	023	V5801406025
406	003	V5801406025
412	014	V5801406025
414	010	V5801406025
416	005	V5801406025
417	047	V5801406032
416	024	V5801408036
417	044	V5801408036
417	002	V5801408040
406	028	V5901010070
411	024	V5901010070

KEY NO.	PART NO.	
406	027	V5901010180
411	027	V5901010180
302	023	V5901012150
406	004	V5901012150
405	005	V6001106005
405	038	V6001106007
405	028	V6001106205
402	020	V6001106208
506	012	V6001106209
417	035	V6001106212
506	009	V6001106212
417	017	V6001106214
504	010	V6001106214
413	002	V6001106305
415	018	V6001106305
415	019	V6001106305
404	004	V6001106306
403	032	V6001106307
415	020	V6001106307
418	019	V6001106308
505	002	V6001106308
505	005	V6001106308
506	003	V6001106309
507	008	V6001106309
417	030	V6001106310
507	004	V6001106310
405	029	V6001506205
402	021	V6001606306
403	005	V6001606307
402	022	V6041106206
402	008	V6041106207
413	003	V6041106304
403	004	V6041106305
404	003	V6041106305
410	028	V6041106305
410	027	V6041106306
415	003	V6041106306
415	012	V6041106307
418	020	V6321132012
405	035	V6544101410
403	002	V6544253530
402	013	V6544283516
403	035	V6544303527
410	012	V6544303527
404	006	V6544323717
415	010	V6544354026
406	006	V6802000010
407	011	V6802000010
411	004	V6802000010
412	018	V6802000010

KEY NO.	PART NO.	
414	003	V6802000010
416	007	V6802000010
303	003	V6802000019
407	017	V7041400140
407	031	V7041400140
304	044	V7041400160
304	007	V7041400200
412	009	V7041400200
304	031	V7041400250
405	002	V7041400250
413	004	V7041400250
415	023	V7041400250
502	002	V7041400250
410	007	V7041400300
412	006	V7041400300
402	023	V7041400350
403	034	V7041400350
405	039	V7041400350
602	009	V7041400480
403	028	V7041400500
404	009	V7041400500
417	032	V7041400500
504	022	V7051400125
405	040	V7051400220
406	022	V7051400320
411	019	V7051400320
405	036	V7051400520
402	030	V7051400620
405	037	V7051400620
413	008	V7051400620
415	024	V7051400620
504	017	V7051400720
415	015	V7051400800
505	008	V7051400900
405	016	V7051400950
506	006	V7051401000
417	038	V7051401100
417	048	V7051401100
604	010	V7081400060
606	007	V7081400060
406	011	V7081400070
707	010	V7081400070
606	020	V7081400080
607	006	V7081400080
709	022	V7081400080
606	010	V7081400090
412	031	V7081400100
607	004	V7081400120
607	019	V7081400120
608	004	V7081400120

ENGINE

C2,2T

2007.02

KEY NO.	PART NO.
132 002	032-8100
132 003	033-7849
132 004	033-7854
125 001	064-3058
132 005	067-6269
132 006	067-6317
132 004E	067-6987
132 004F	069-2922
129 001	100-8451
119 001	127-8281
107 001	133-5512
119 006	138-9145
107 002	139-5511
104 001	146-7808
101 008	153-3838
101 002	153-5387
101 004	153-5394
101 005	153-5395
101 006	153-5396
101 007	153-5402
102 001A	153-5402
102 002A	153-5402
102 003A	153-5402
102 004A	153-5402
102 011	153-5518
111 002	153-5552
111 003	153-5553
111 012	153-5554
111 004	153-5556
111 005	153-5557
111 006	153-5558
111 013	153-5559
110 001	153-5573
112 005A	153-5587
112 005B	153-5590
114 001	153-5592
124 001	153-5592
129 002	153-5592
126 001	153-5933

KEY NO.	PART NO.
105 003	153-6492
109 001	153-6492
103 002	153-6832
103 003	153-6833
103 004	153-6835
112 005C	153-6835
103 005	153-6838
106 003	153-6838
126 002	153-6838
126 003	153-6841
103 006	153-6848
103 007	153-6849
103 008	153-6850
103 009	153-6851
103 010	153-6853
125 003	153-6853
106 004	153-6856
117 003	153-6856
120 001	153-6879
103 011	153-6881
113 004	1537640
127 001	153-7640
107 004	153-7983
106 005	153-7985
107 005	153-7987
107 030A	153-7987
112 001	153-7988
101 009	154-0175
101 010	154-0176
101 011	154-0177
101 012	154-0178
102 001	154-0181
102 001B	154-0385
102 002B	154-0385
102 003B	154-0385
102 004B	154-0385
102 002	154-0386
102 003	154-0388
102 004	154-0389

KEY NO.	PART NO.
102 005	154-1201
102 012	154-1202
102 009	154-1203
102 006	154-1230
102 007	154-1231
112 005D	154-1240
112 005E	154-1241
112 005G	154-1242
112 005F	154-1243
112 002	154-1246
112 003	154-1248
112 004	154-1249
113 005	154-1347
107 006	154-1396
107 007	154-1401
107 008	154-1403
107 009	154-1408
107 010	154-1410
107 011	154-1411
107 012	154-1412
107 013	154-1416
107 014	154-1636
107 015	154-1637
107 016	154-1638
107 017	154-1639
107 018	154-1641
106 006	154-1672
106 007	154-1673
106 008	154-1675
106 009	154-1676
106 009A	154-1677
106 009B	154-1678
106 009C	154-1679
106 010	154-1680
117 004	154-1816
118 001	154-1818
118 002	154-1819
118 003	154-1820
122 001	154-1822

103	001	153-5936
113	001	153-5939
106	001	153-5960
107	003	153-5960
114	002	153-5960
117	001	153-5960
117	002	153-5961
106	002	153-5962
113	003	153-5962
115	014	153-6375
114	004	153-6412

101	013	154-0391
101	014	154-0393
104	002	154-0867
104	002A	154-0869
104	002B	154-0870
104	002C	154-0871
104	003	154-0873
104	004	154-0874
111	007	154-0887
111	008	154-0888
111	009	154-0889

117	005	154-1823
117	006	154-1824
117	007	154-1827
117	008	154-1828
109	002	154-1880
133	001	154-1935
103	012	154-1941
103	013	154-1942
103	016	154-2353
115	003	154-2394
124	002	154-2427

319

KEY NO.		PART NO.
124	003	154-2428
114	005	154-2713
114	006	154-2715
114	007	154-2716
114	020	154-3017
114	019	154-3018
105	002	154-4504
105	007	154-4505
105	004	154-4506
105	005	154-4507
105	006	154-4508
119	009	155-7984
125	004	155-7984
129	003	155-7984
131	003	155-7984
107	019	155-8009
133	004	155-8076
133	003	155-8077
102	008	156-6971
110	002	156-6988
110	003	156-6989
107	020	158-7936
114	020	160-3555

KEY NO.		PART NO.
101	015	183-1163
101	016	183-1164
110	004	183-1164
113	007	183-1165
101	017	183-1168
102	010	183-1336
110	005	183-3213
114	009	183-3353
107	023	183-3570
107	024	183-3572
125	007	183-3572
113	006	190-3762
114	010	190-3803
107	025	191-0542
107	026	191-9296
107	027	191-9297
116	003	19951000010
121	004	19951000060
121	004	19951000061
123	003	19951010011
115	012	19951019001
115	013	19951019340
121	002	19951030790

KEY NO.		PART NO.
112	006	217-2752
114	011	217-2754
114	012	217-2760
114	013	217-2761
114	014	217-2762
114	015	217-2763
109	004	217-2776
101	019	217-5770
101	020	217-5771
107	028	217-5794
113	008	217-5859
113	009	217-5861
113	010	217-5862
113	011	217-5864
107	029	217-7108
107	030	217-7111
107	031	217-7115
105	001	217-7174
126	007	217-7358
117	012	217-7381
118	004	217-7381
119	010	218-2317
120	002	220-1523

